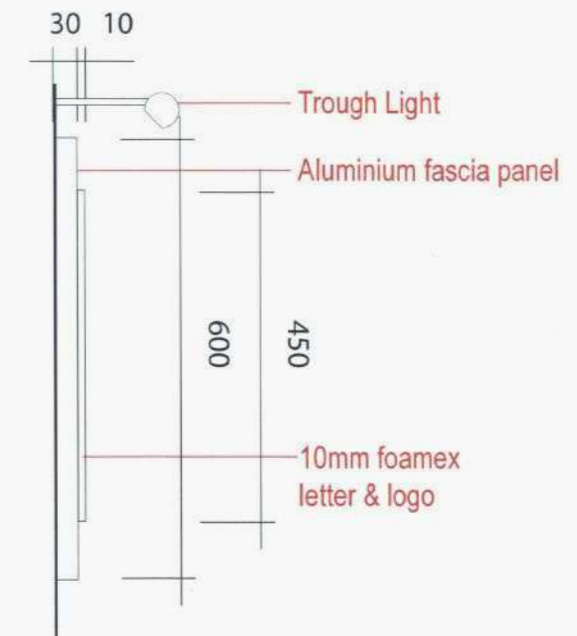




SIDE ELEVATION B-B

**INDIVIDUAL LETTERS**  
 Externally illuminated individual letters as detailed above finished KFC red, external illumination provided by a downlighting trough light unit finished white. Letter cap height 450mm.

SECTION VIEW  
 Fascia Sign - Scale 1 : 5



12/0756/ADV  
 Rev 28/5/12



FRONT ELEVATION A-A

**FASCIA SIGN**  
 New fascia sign consisting of a folded aluminium panel (30mm returns) finished KFC red, with 10mm thick white KFC letters bonded to its face with 10mm thick logotype. External illumination provided by a downlighting trough light unit finished white.

**PROJECTING SIGN**  
 New projecting sign as detailed above constructed from a 20mm thick panel fixed to the existing wall bracket finished in corporate colouring. External illumination provided by a downlighting trough light unit finished white.

**AVON SIGNS**  
 THE COMPLETE SIGN SERVICE

Client: **SME GROUP PLC**  
 Project: **KFC**  
 80 High Street,  
 Hampton Hill, London, TW12 1NY

Drawing: **EXTERNAL SIGNAGE PROGRAMME**

Scale	Date	Drawn by	Check by
1:50	---	--	-
Drawing Number	Sheet	Rev.	
10001	1	A	