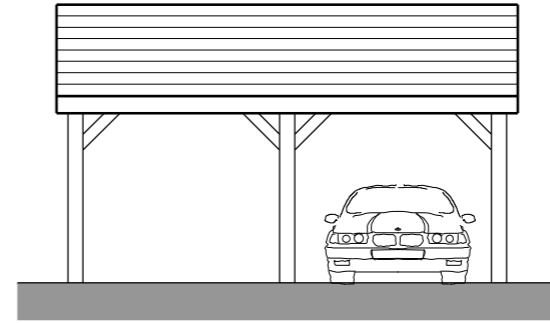
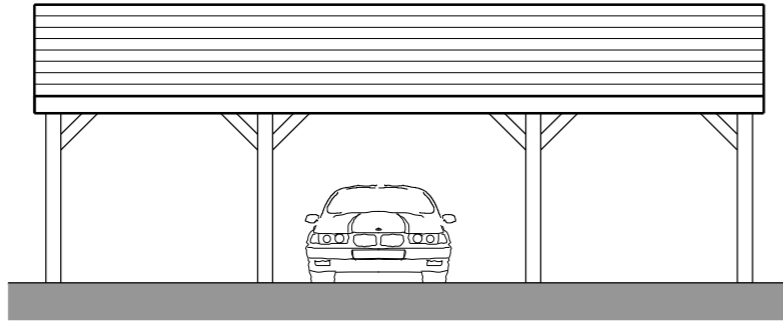
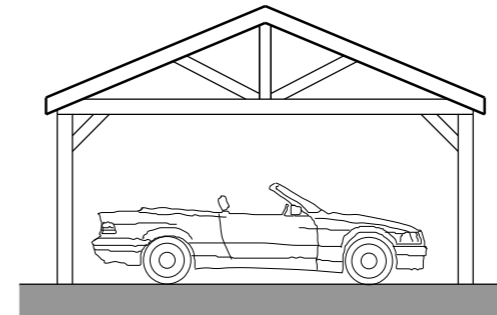
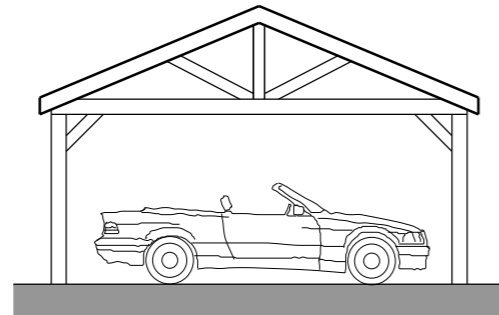


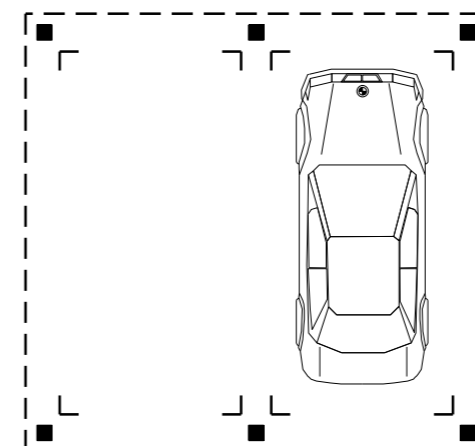
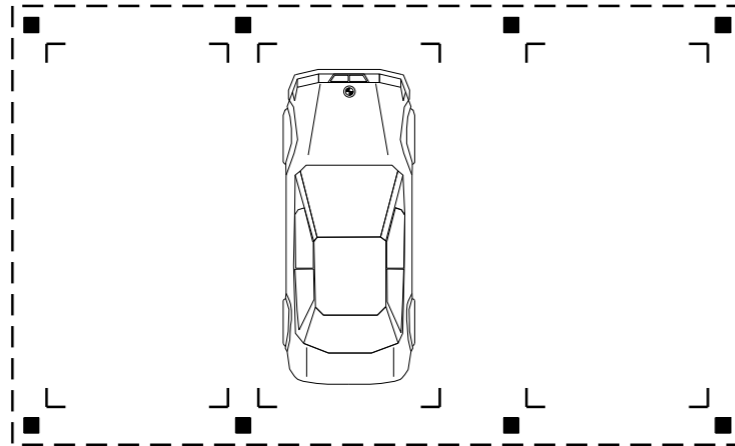
North/ South Elevation



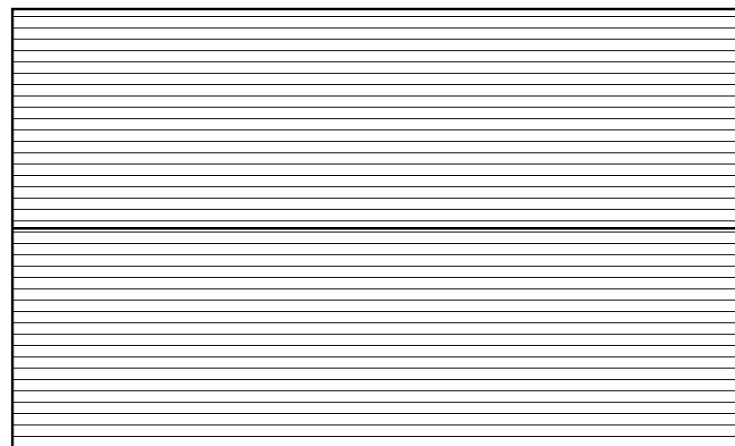
East/ West Elevation



Ground Level Plan



Roof Plan

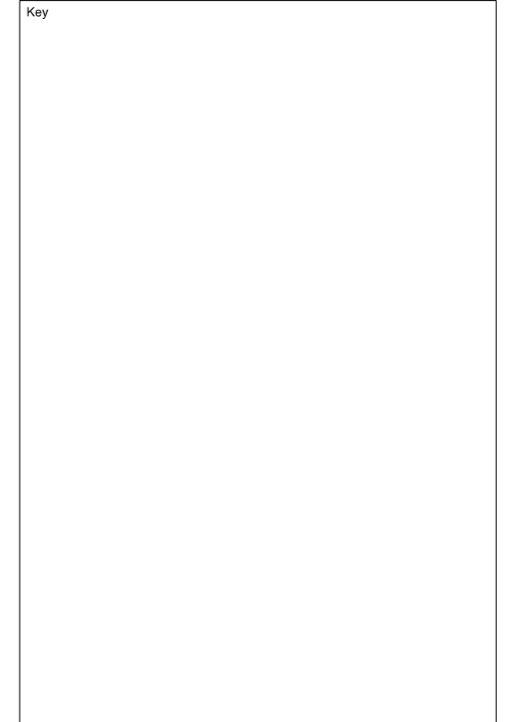


Car Barn A

Car Barn B

Notes:
 Do not scale from this drawing.
 All contractors must visit the site and be responsible for taking and checking Dimensions.
 All construction information should be taken from figured dimensions only. Any discrepancies between drawings, specifications and site conditions must be brought to the attention of the supervising officer.
 This drawing & and the works depicted are the copyright of John Thompson & Partners.

This drawing is for planning purposes only, it is not intended to be used for construction purposes, whilst all reasonable efforts are used to ensure drawings are accurate, John Thompson & Partners accept no responsibility or liability for any reliance placed on, or use made of, this plan by anyone for purposes other than those stated above.



P1	24.08.12	Planning Submission	AD	IF
Rev	Date	Description	Drawn	Chkd

Drawing Status

Planning

Client

St. James Group Ltd

St James

Designed for life

JOHN THOMPSON & PARTNERS



23-25 Great Sutton Street
 London, EC1V 0DN
 T: +44 (0)20 7017 1780
 F: +44 (0)20 7017 1781
 W: www.jtp.co.uk

Project

The Former Royal Mail
Sorting Office, Twickenham

Drawing Title

Car Barns - Plans & Elevations

Scale @ A3 1:100 Job Ref. 00545

Drawing No. C_01 Revision P1

