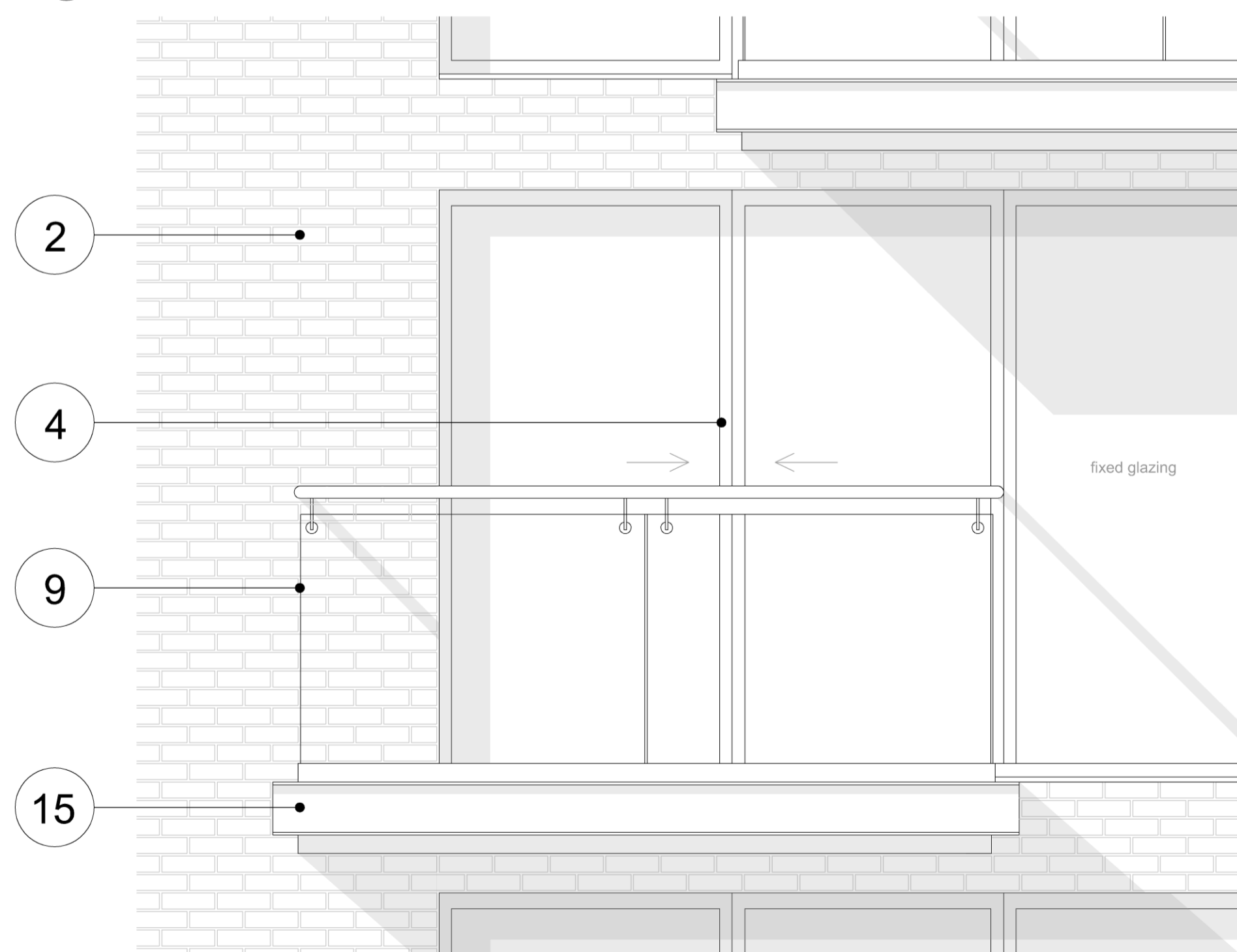
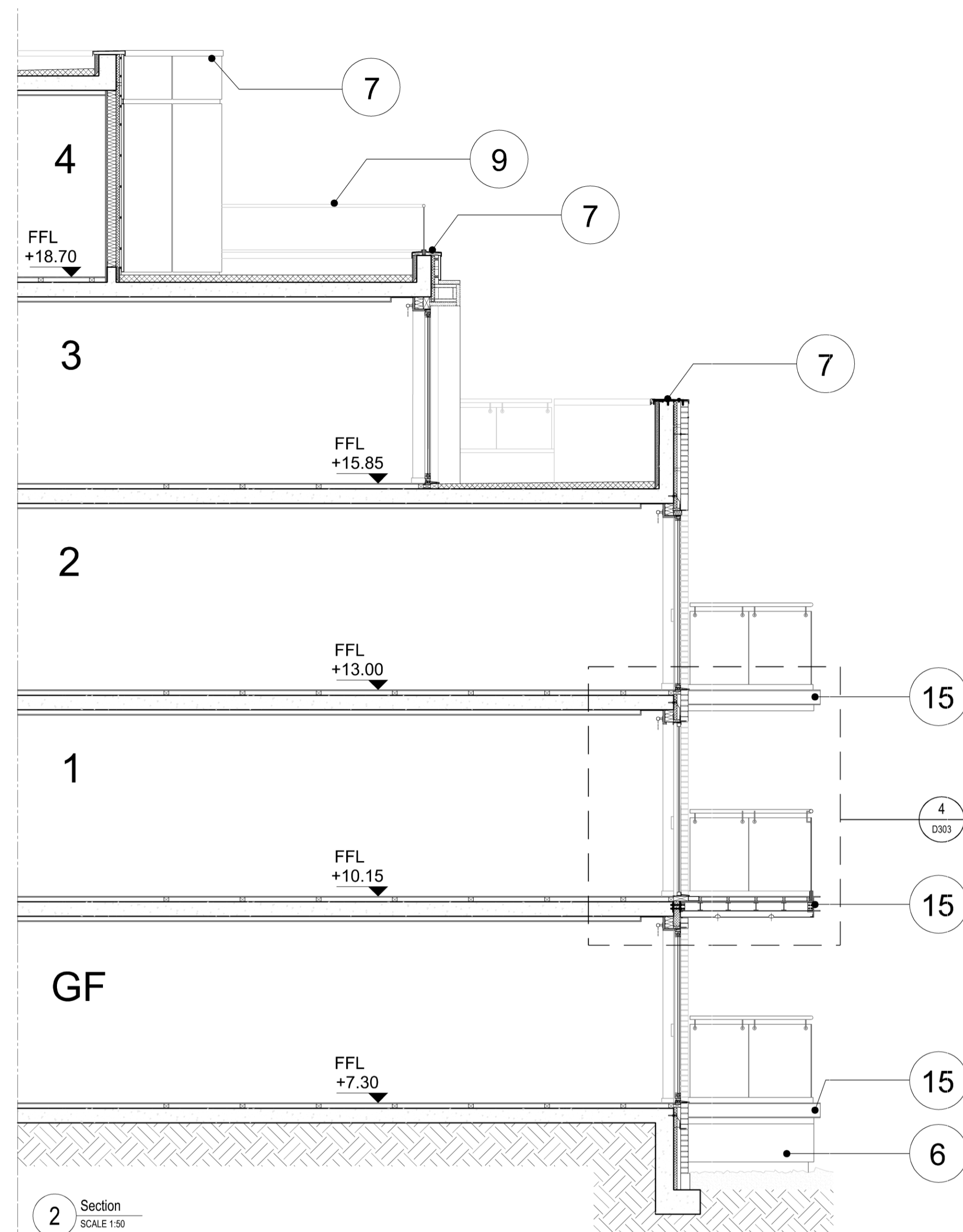
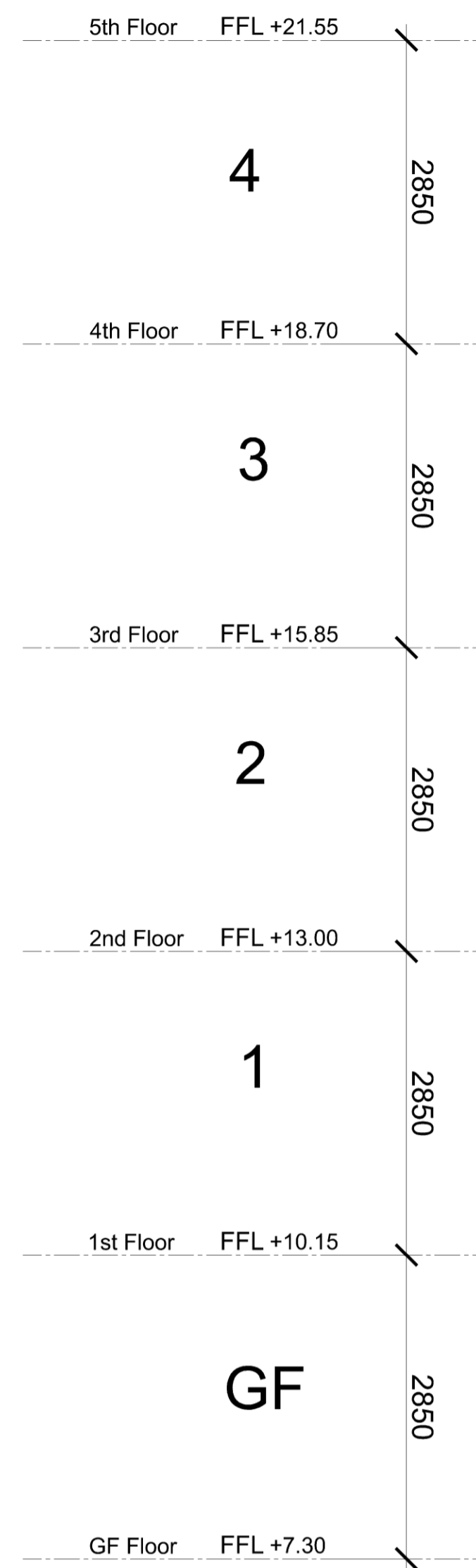


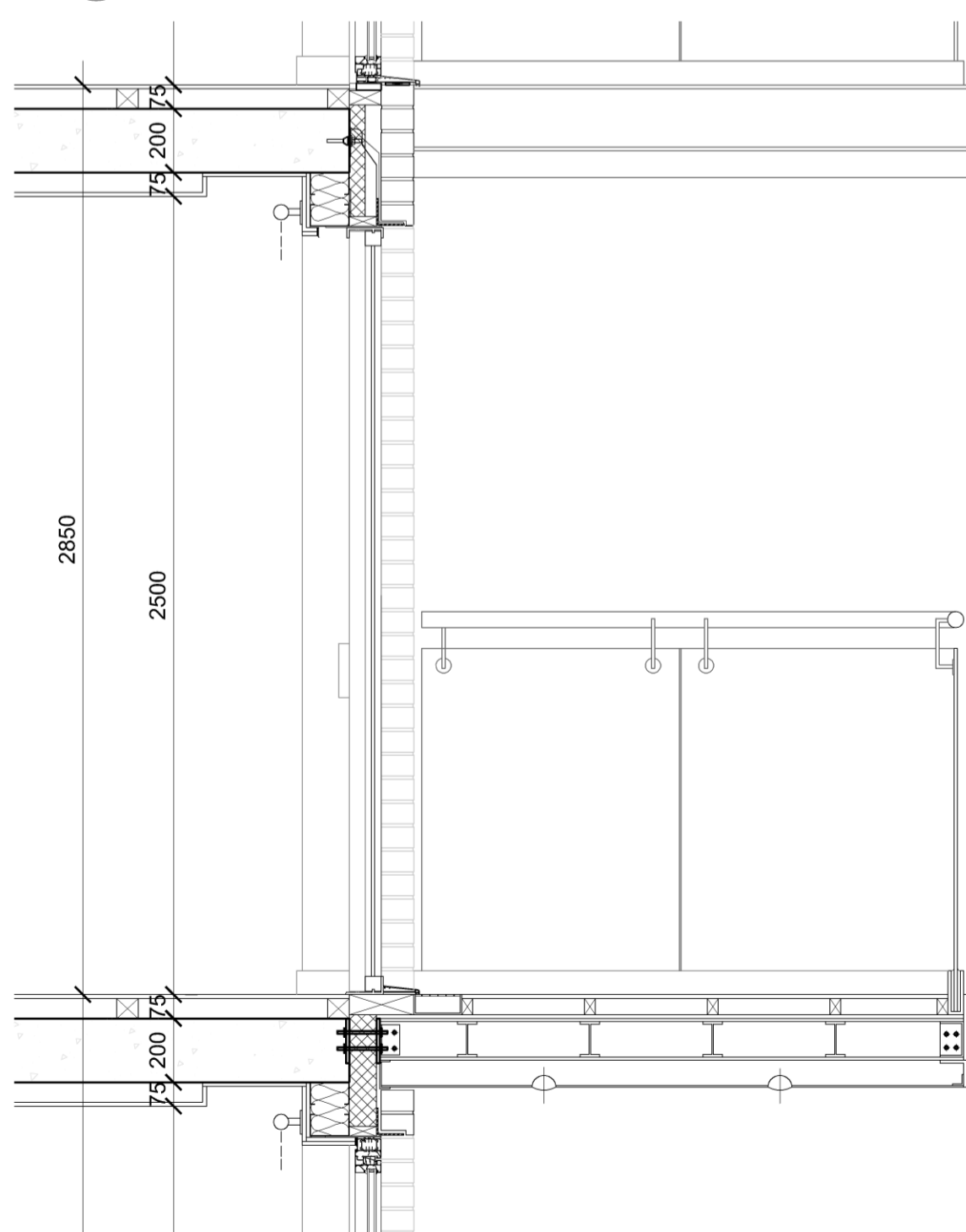
1 Block A\_Riverside Part Elevation  
SCALE 1:50



3 Typical balcony detail elevation  
SCALE 1:20

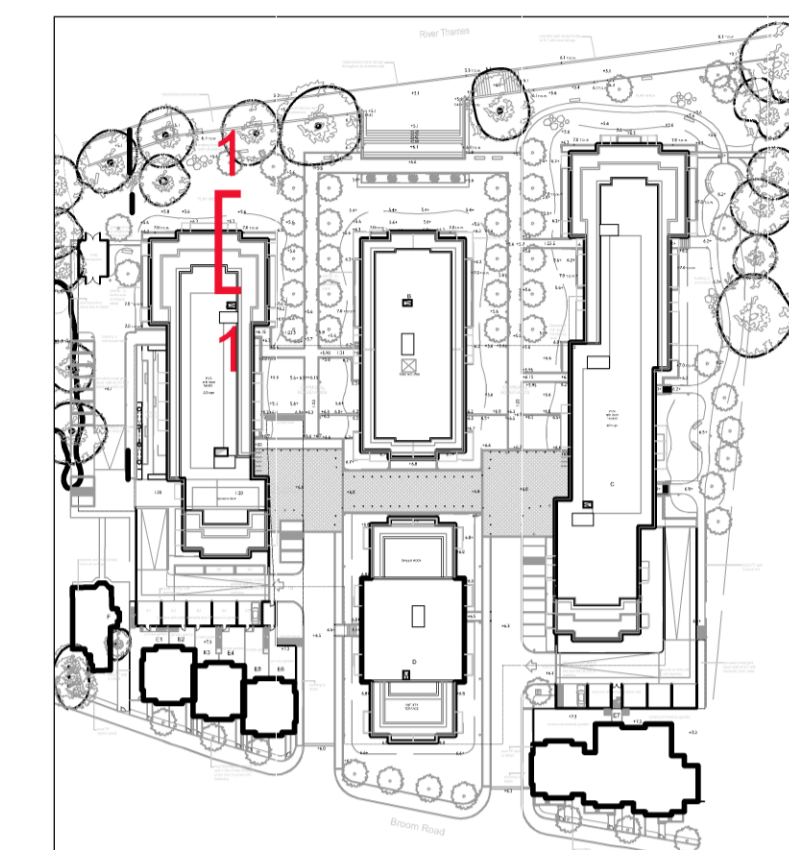


2 Section  
SCALE 1:50



4 Typical balcony section  
SCALE 1:20

NOTES:  
DO NOT SCALE. FIGURED DIMENSIONS ONLY TO BE TAKEN FROM THIS DRAWING. CHECK DIMENSIONS ON SITE AND REPORT DISCREPANCIES TO THE ARCHITECT.  
THIS DRAWING IS PROTECTED BY COPYRIGHT.  
ALL AREAS HAVE BEEN MEASURED FROM CURRENT DRAWINGS. THEY MAY VARY BECAUSE OF (EG) SURVEY, DESIGN DEVELOPMENT, CONSTRUCTION TOLERANCES, STATUTORY REQUIREMENTS OR RE-DEFINITION OF THE AREAS TO BE MEASURED.



MATERIALS LEGEND:

- 1 Facing brickwork mellow light cream.
- 2 Facing brickwork mellow buff.
- 3 Composite timber and RAL aluminium reversible double glazed windows (triple glazed onto water side) all to SBD policy 27.
- 4 As "3" but sliding patio windows.
- 5 White preformed concrete cills.
- 6 White preformed concrete coping / fascia / facing.
- 7 RAL coloured preformed aluminium coping.
- 8 RAL coloured aluminium brise soleil.
- 9 Toughened glass balcony with tubular brushed s.s. handrail.
- 10 Satin brushed s.s. tubular balustrade with horizontal members to vertical flat balusters.
- 11 Natural slate roofing tiles.
- 12 Glazed entrance doors in RAL finished surrounds with glazed side screens to match all to SBD policy 20.
- 13 RAL coloured aluminium composite cladding with concealed fixings.
- 14 Glass canopy on aluminium system in RAL finish.
- 15 RAL coloured steel fascia.
- 16 Opaque glass panel.
- 17 Sliding timber brise soleil.

P1	13.12.13	ISSUED AS PLANNING APPLICATION	SM	JW
No.	Date	Comment	Drawn	Chkd

Revisions

Issue Status  
**PLANNING**

**tp bennett**  
architecture  
interiors  
planning

One America Street London SE1 ONE UK +44 (0) 20 7308 2000 www.tpbennett.com  
London Moscow Abu Dhabi New York

Project  
**Teddington Riverside**  
Proposed Residential Redevelopment  
Broom Road, Teddington

Drawing Title  
**Wall section 1-1**

Drawn	Date	Scale @ A1	Alt. Ref.
SM	19.11.2013	1:250	

tp bennett Project No.	Drawing Number	Rev
A9991	D 0301	P1