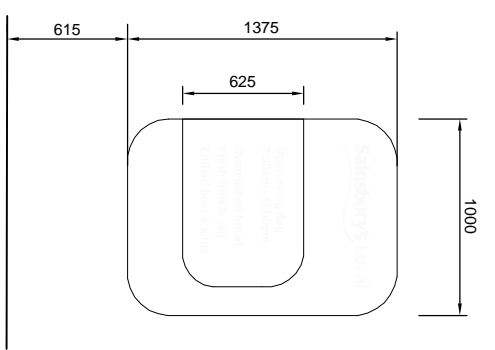
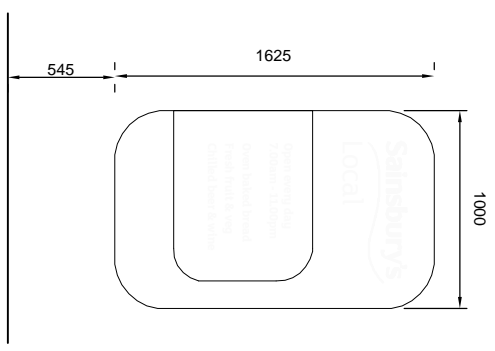
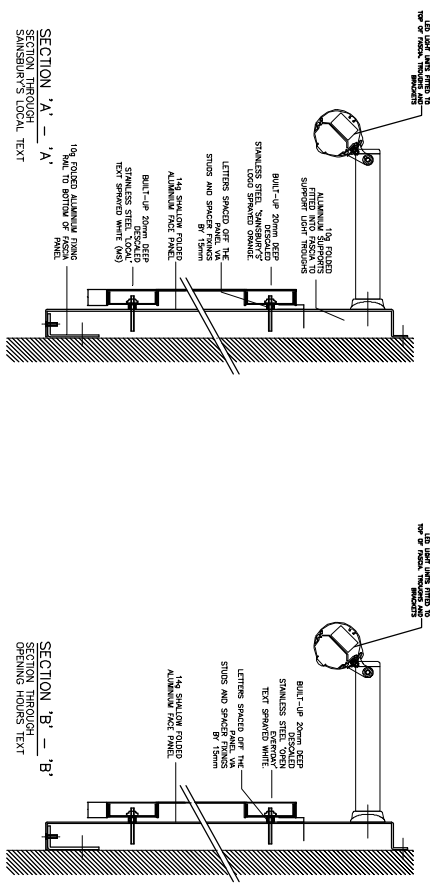
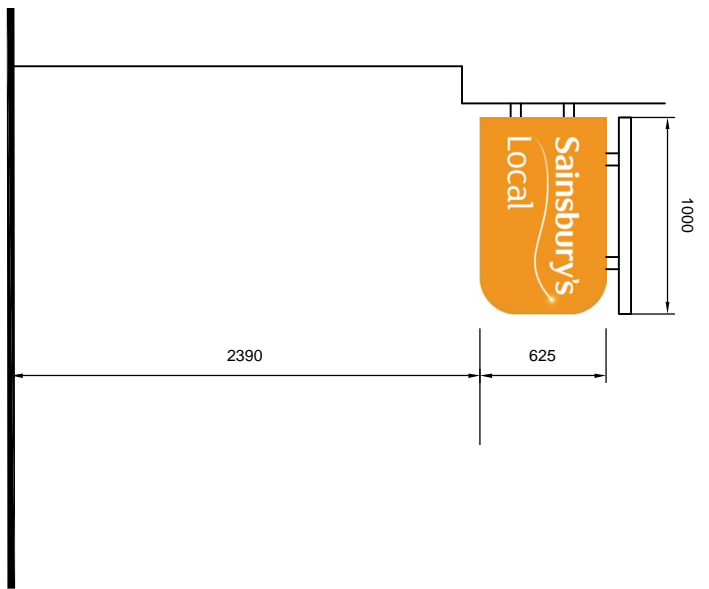
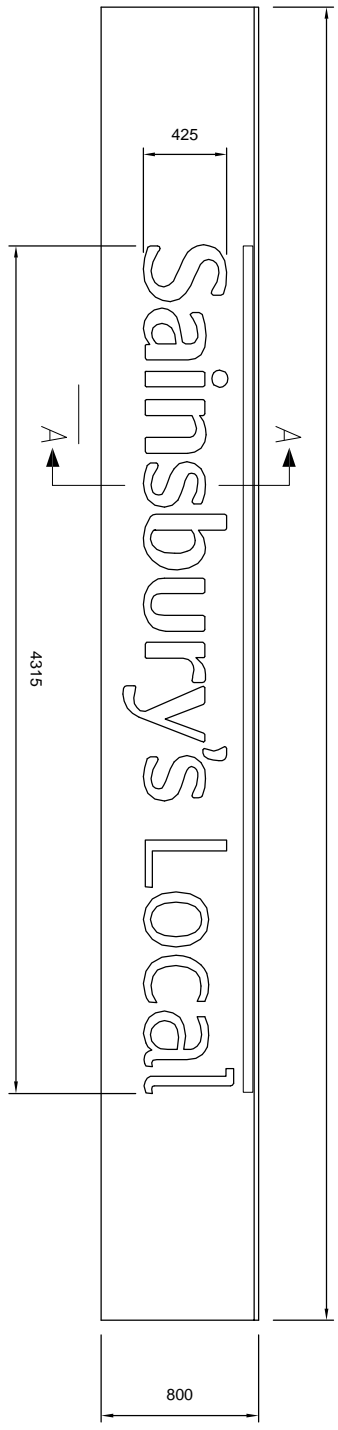
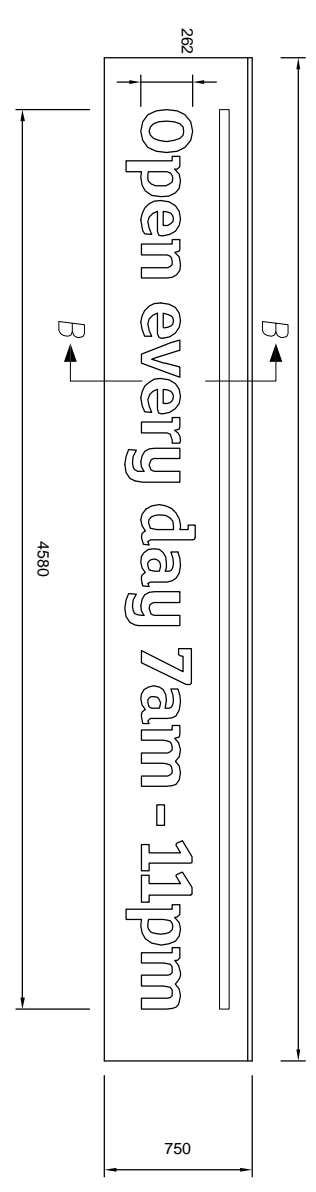
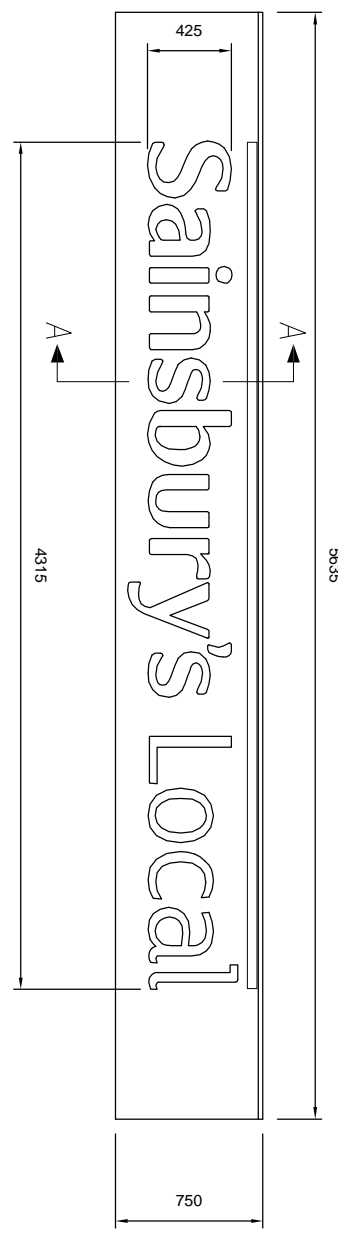


Do not scale from this drawing. Contractors shall be responsible for the checking of all stated dimensions, with any anomalies being identified to the originator prior to any construction or fabrication works commencing.



01 PROPOSED ELEVATION OF FASCIA SIGN - FRONT ELEVATION
P2452 213 1:20- Externally Illuminated- 250cd/m2

02 PROPOSED ELEVATION OF FASCIA SIGN - SIDE ELEVATION
P2452 213 1:20- Externally Illuminated- 250cd/m2

05 PROPOSED INTERNALLY APPLIED VINYL
P2452 213 1:20

04 PROPOSED PROJECTING SIGN
P2452 213 1:20- Externally Illuminated- 250cd/m2

03 PROPOSED SECTION A-A THRU FASCIA SIGN
P2452 213 1:5

<table border="1"> <tr> <td>Rev</td> <td>Date</td> <td>Description</td> </tr> <tr> <td>C</td> <td>26/02/15</td> <td>General sign amendments.</td> </tr> <tr> <td>B</td> <td>12-12-12</td> <td>General sign amendments.</td> </tr> <tr> <td>A</td> <td>21-11-12</td> <td>Projecting sign added.</td> </tr> <tr> <td>--</td> <td>19-10-12</td> <td>Final Issue</td> </tr> </table>	Rev	Date	Description	C	26/02/15	General sign amendments.	B	12-12-12	General sign amendments.	A	21-11-12	Projecting sign added.	--	19-10-12	Final Issue	<p>architects project managers cost consultants</p> <p>jila</p> <p>196 High Street, Teddington, TW11 8HU, Unit 13, 11 Barnesley London SE18 6JF Tel: 020 7 440 8840</p>	<p>Status: PLANNING</p> <p>Project Title: 196 HIGH STREET, TEDDINGTON, TW11 8HU, SITE REF. 2452</p> <p>Drawing Title: SIGNAGE APPLICATION SIGNAGE DETAILS</p>	<table border="1"> <tr> <td>Project Number</td> <td>Drawing Number</td> <td>Revision</td> </tr> <tr> <td>S-2452</td> <td>P-2452-213</td> <td>C</td> </tr> </table> <table border="1"> <tr> <td>Drawn</td> <td>Checked</td> <td>Scale</td> <td>Date</td> </tr> <tr> <td>MC</td> <td>--</td> <td>1:100@A1</td> <td>18-10-12</td> </tr> </table>	Project Number	Drawing Number	Revision	S-2452	P-2452-213	C	Drawn	Checked	Scale	Date	MC	--	1:100@A1	18-10-12
Rev	Date	Description																														
C	26/02/15	General sign amendments.																														
B	12-12-12	General sign amendments.																														
A	21-11-12	Projecting sign added.																														
--	19-10-12	Final Issue																														
Project Number	Drawing Number	Revision																														
S-2452	P-2452-213	C																														
Drawn	Checked	Scale	Date																													
MC	--	1:100@A1	18-10-12																													

The content of this drawing is the property of JLA Chartered Architects and may not be copied in whole or part without formal consent.