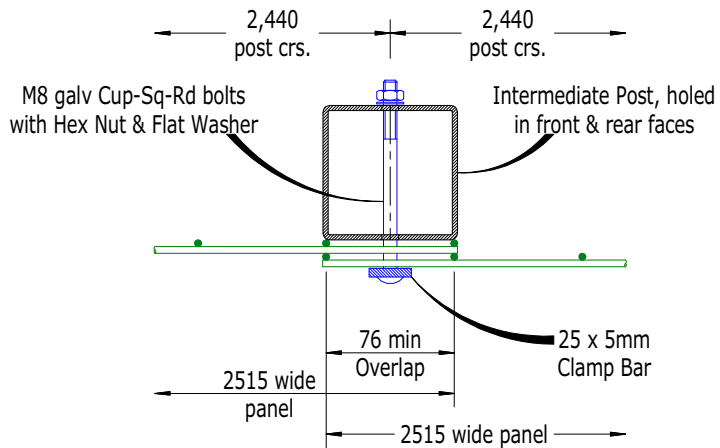
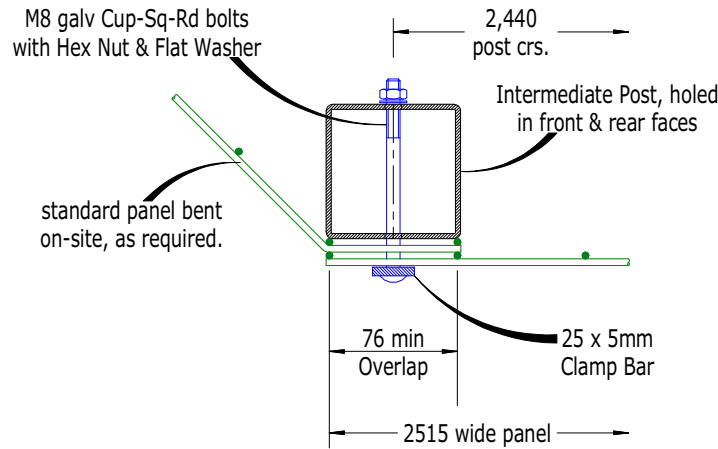


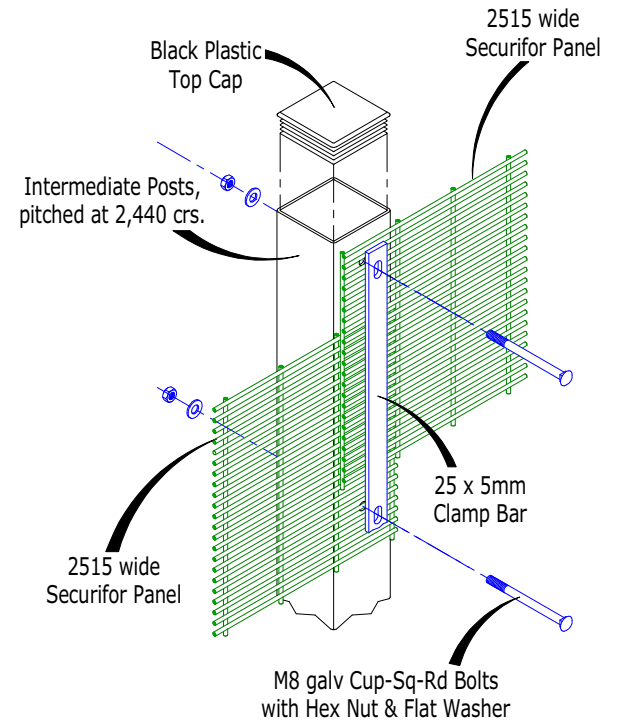
TYPICAL FIXING DETAILS FOR INTERMEDIATE POSTS



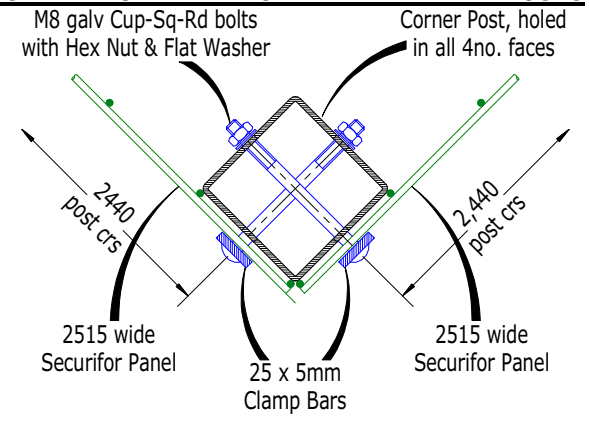
PLAN VIEW ON INTERMEDIATE POSTS



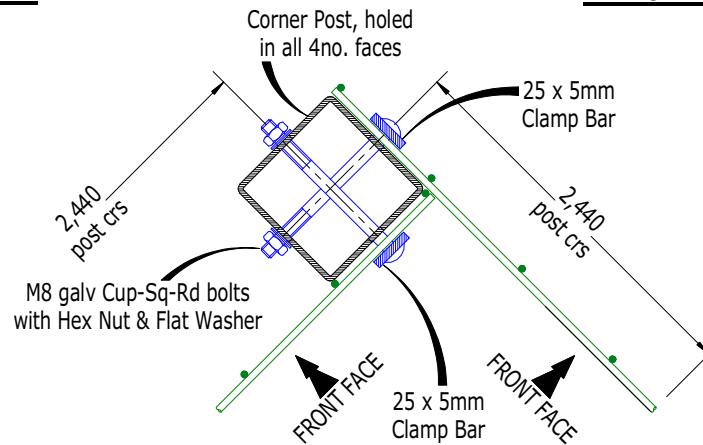
PLAN VIEW ON OBTUSE CORNERS



TYPICAL 102mm STEPPING DETAIL FOR INTERMEDIATE POSTS



PLAN VIEW ON EXTERNAL CORNER



PLAN VIEW ON INTERNAL CORNER

BETA FENCE

sales.sheffield@betafence.com
www.betafence.com

Betafence Ltd - Wigan
Woodhouse Lane
Wigan WN6 7NS
Phone 0870 120 3252
Fax 0870 120 3242

Betafence Ltd. reserves the right to
amend and withdraw products
detailed herein, without prior notice
COPYRIGHT © 2005
BETA FENCE LTD - SHEFFIELD - ENGLAND

SECURIFOR 358

Drawn

MJH

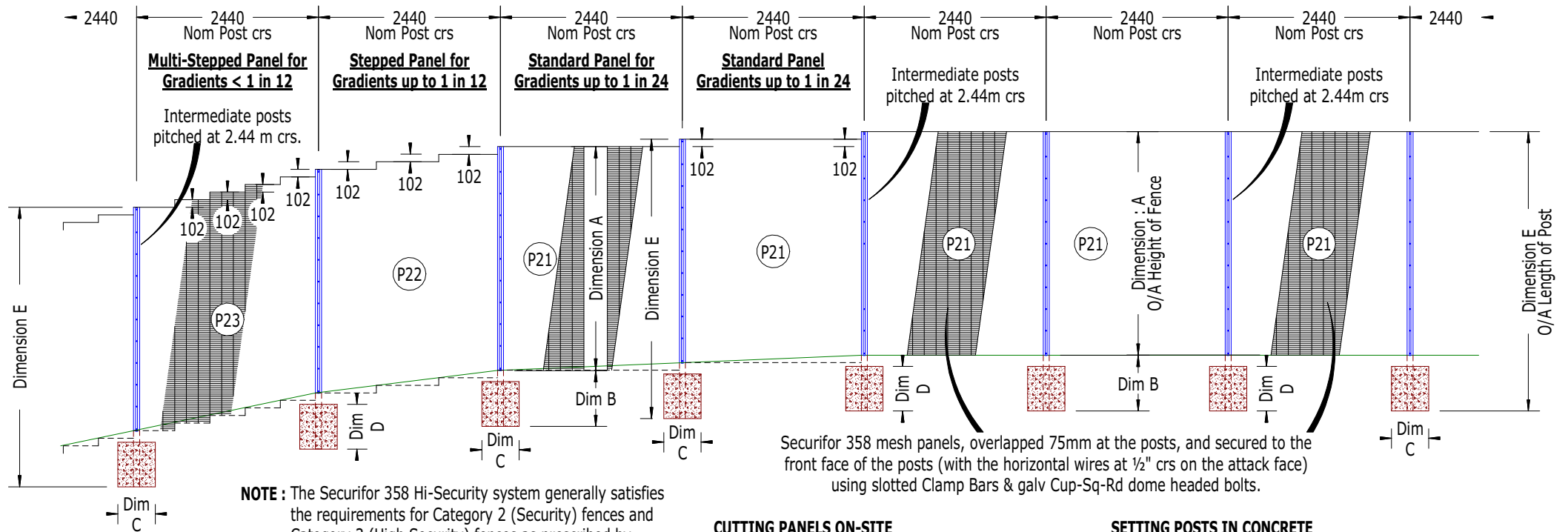
Date

20-10-05

Drawing No :

SEC-358-B

REV
-



Securifor 358 mesh panels, overlapped 75mm at the posts, and secured to the front face of the posts (with the horizontal wires at 1/2" crs on the attack face) using slotted Clamp Bars & galv Cup-Sq-Rd dome headed bolts.

OPTIONAL EXTRA-OVERS

For additional security, the bottom edge of the standard Securifor 358 panels maybe "staked" at finished ground level with hairpin staples (Not By Betafence Ltd). Alternatively, the panels may be extended 150mm below finished ground level for burying the bottom edge in a trench backfilled with either pea gravel or concrete.

SECURITY TOPPINGS

Fence posts may be supplied with 500mm vertical extensions to support 3 rows of Barbed Wire or Barbed Tape. When using Security Toppings, Strainer posts (with Bracing Struts + Cross Stays) are required to tension the Barbed Wire and should be provided at all Ends, Corners, Changes in Level, and at 69m intervals in straight lengths.

GRADIENTS

- (P21) **RECTANGULAR PANEL** - 2515 wide x 3302mm high, for level ground and for gradients less than 1 in 24 by stepping adjoining panels 102mm max.
- (P22) **STEPPED PANEL** - 2515 wide x 3505mm high, to suit all gradients from 1 in 24 to 1 in 12
- (P22) **MULTI-STEPPED PANEL** - 2515 wide x height as required by stepping in increments of 102, to suit all gradients less than 1 in 12

CUTTING PANELS ON-SITE

All Securifor 358 mesh panels are supplied to site in a standard width of 2515mm. Panels for make-up bays must be cut to suit on-site in 76.2mm increments, and made good using a zinc-etch primer paint, followed by a top coat of Cromadex polyurethane repair paint.

FOUNDATIONS

The foundation sizes indicated are for "normal" ground conditions only, and may require modification to suit the prevailing ground conditions on-site.

SETTING POSTS IN CONCRETE

Concrete Mix : GEN 1 or ST2 - to BS EN 206-1 using 20mm nominal size graded aggregates

Alternative for small batch : the mix should not be leaner by mass than 1 part cement to 10 parts 20mm nom graded aggregates

All holes to be excavated neatly and with vertical sides.

All concrete should be thoroughly compacted prior to the initial set.

Dim : A Fence Height	Dim : B Depth Of Hole	Dim : C Size Of Found's	Dim : D Depth Of Concrete	Dim : E O/A Length Of Post	Recommended Section Size	Fixings	
						Inters	Corners
2.0m	700mm	300mm x 300mm	550mm	2700mm	60 x 60 x 2.5mm RHS	7no.	2 x 7no.
2.4m	700mm	400mm x 400mm	550mm	3100mm	60 x 60 x 2.5mm RHS	9no.	2 x 9no.
2.7m	700mm	450mm x 450mm	550mm	3400mm	80 x 80 x 2.5mm RHS	10no.	2 x 10no.
3.0m	750mm	500mm x 500mm	600mm	3750mm	80 x 80 x 2.5mm RHS	11no.	2 x 11no.