

This map is reproduced from Ordnance Survey material with the permission of Ordnance Survey on behalf of the Controller of Her Majesty's Stationery Office © Crown copyright. Unauthorised reproduction infringes Crown copyright and may lead to prosecution or civil proceedings. Mayer Brown Ltd. Licence No - AL 100002189



client
BERKELEY HOLMES LTD

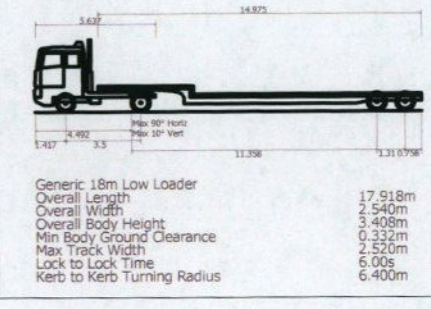
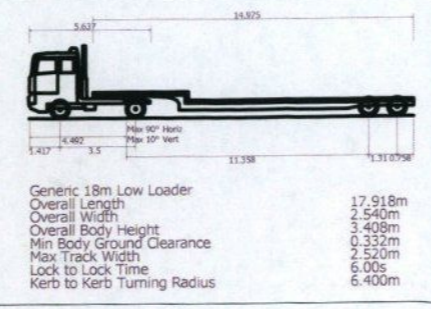
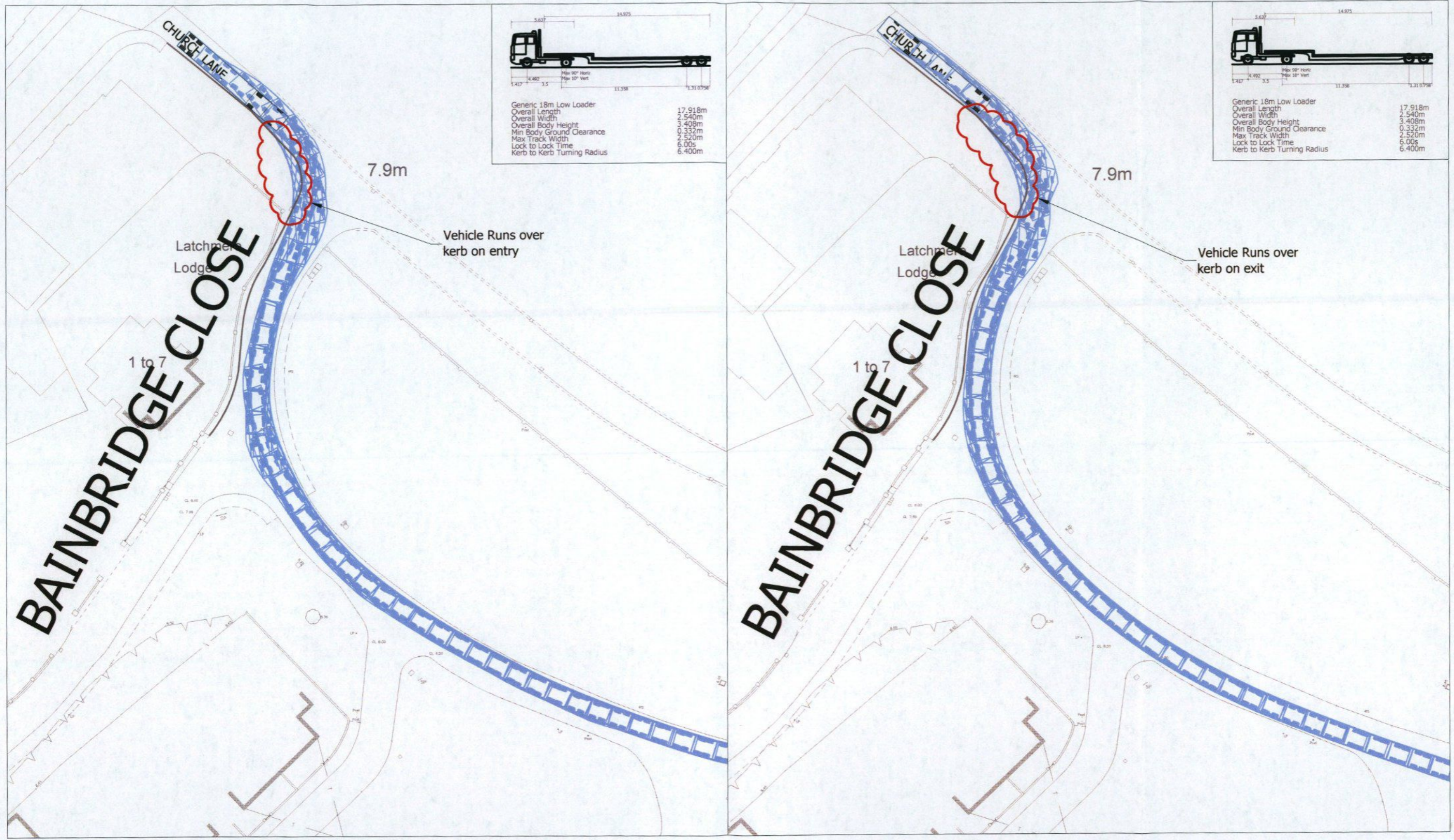
project
LATCHMERE HOUSE, RICHMOND

title
**18m LOW LOADER
ENTERING/EXITING BAINBRIDGE CLOSE
FROM/TO CHURCH LANE**

scale **1:500@A3** drawn by **JME** checked by **OAN**

date **AUGUST 2015** cad file **Master 2015-08-12.DWG**

drawing number **BHLATCHMERE(CMP).1/TK08** rev.



This map is reproduced from Ordnance Survey material with the permission of Ordnance Survey on behalf of the Controller of Her Majesty's Stationery Office © Crown copyright. Unauthorised reproduction infringes Crown copyright and may lead to prosecution or civil proceedings. Mayer Brown Ltd. Licence No - AL 100002189



client
BERKELEY HOLMES LTD

project
LATCHMERE HOUSE, RICHMOND

title
**18m LOW LOADER
ENTERING/EXITING BAINBRIDGE CLOSE
FROM/TO CHURCH LANE**

scale **1:500@A3** | drawn by **JME** | checked by **OAN**

date **AUGUST 2015** | cad file **Master 2015-08-12.DWG**

drawing number **BHLATCHMERE(CMP).1/TK08** | rev.