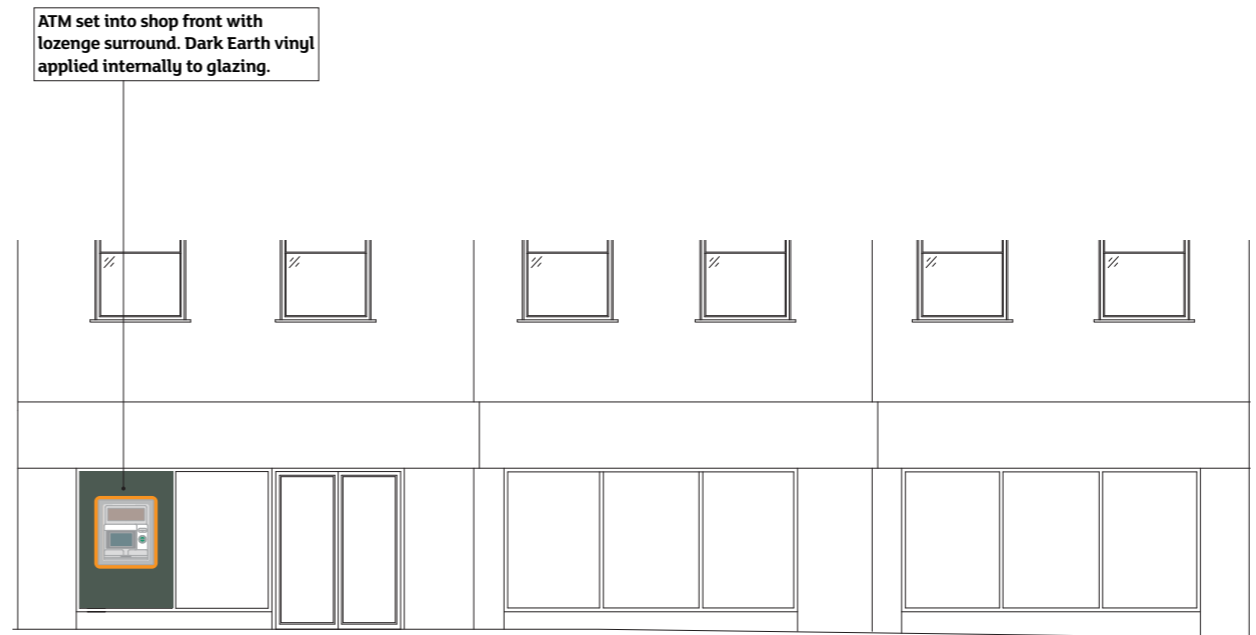


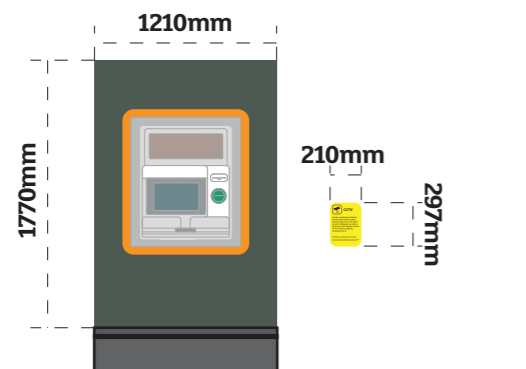


Photo of existing

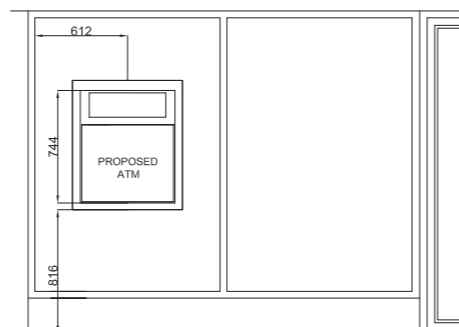


Proposed external elevation
1:100@A3

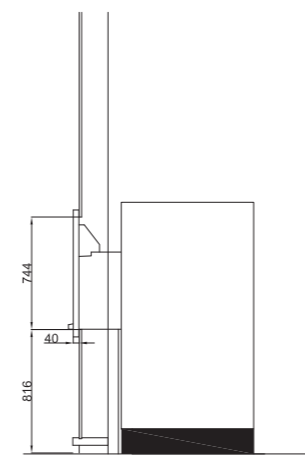
ATM set into shop front with lozenge surround. Dark Earth vinyl applied internally to glazing.



Proposed signage detail
1:50@A3
Digitally printed flair graphic lozenge.
Dark Earth RAL 8019 vinyl.





Proposed ATM front elevation
1:50@A3



Proposed ATM side cross section
1:50@A3



NOTES	REV	REVISIONS	DATE	REV	REVISIONS	DATE	ORIGINATOR	AUTHORISED	PROJECT	 Retail Design Solutions (Consultancy) Ltd Retail Design Solutions (Consultancy) Limited, The Mill Store, Foundry Lane, Epsom, Surrey, CO9 2SE Company Registration No: 4379384 Tel: 01753 224876 Fax: 01753 224776 www.retaildesignsolutions.com info@retaildesignsolutions.com	 STORE DEVELOPMENT GROUP, SAINSBURY'S SUPERMARKETS LTD 33 HOLBORN, LONDON, EC1N 2HT TELEPHONE:- 020 7695 6000 FAX:- 020 7695 7610
	1#	Initial Layout.	24.06.16				RDS/EA	SH	BARNES HIGH STREET ATM PLANNING PROPOSAL		
							DATE 24.06.16	SCALE 1:100 @A3 1:50 @A3	ADDRESS 11 BARNES HIGH STREET LONDON, SW13 9LW		
							DRAWING NUMBER 4226G04-ATM	REVISION 1#			