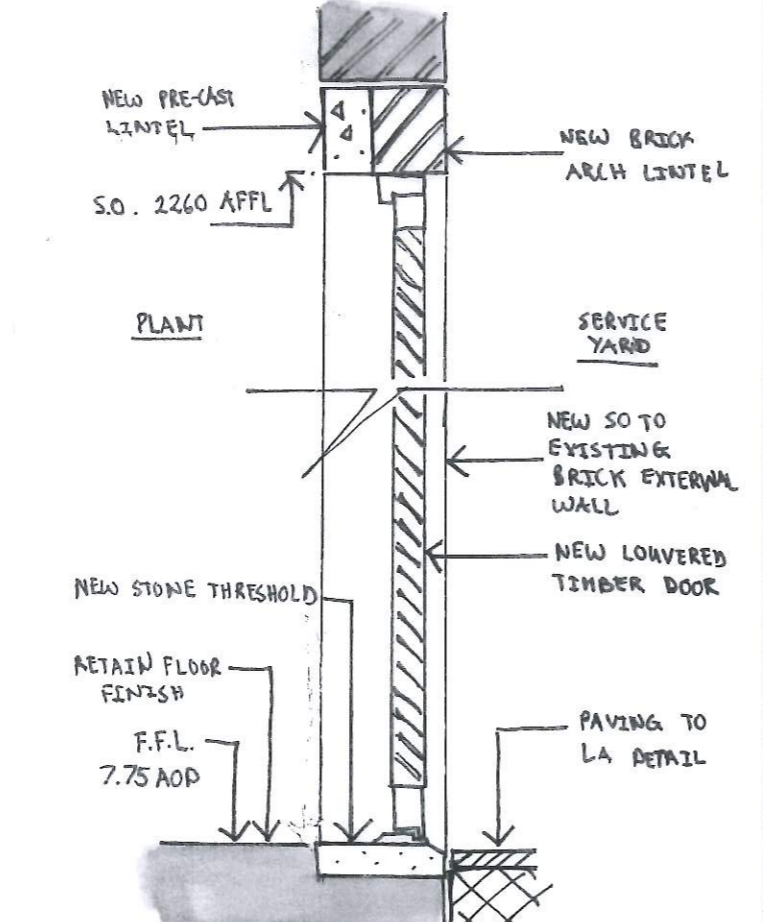
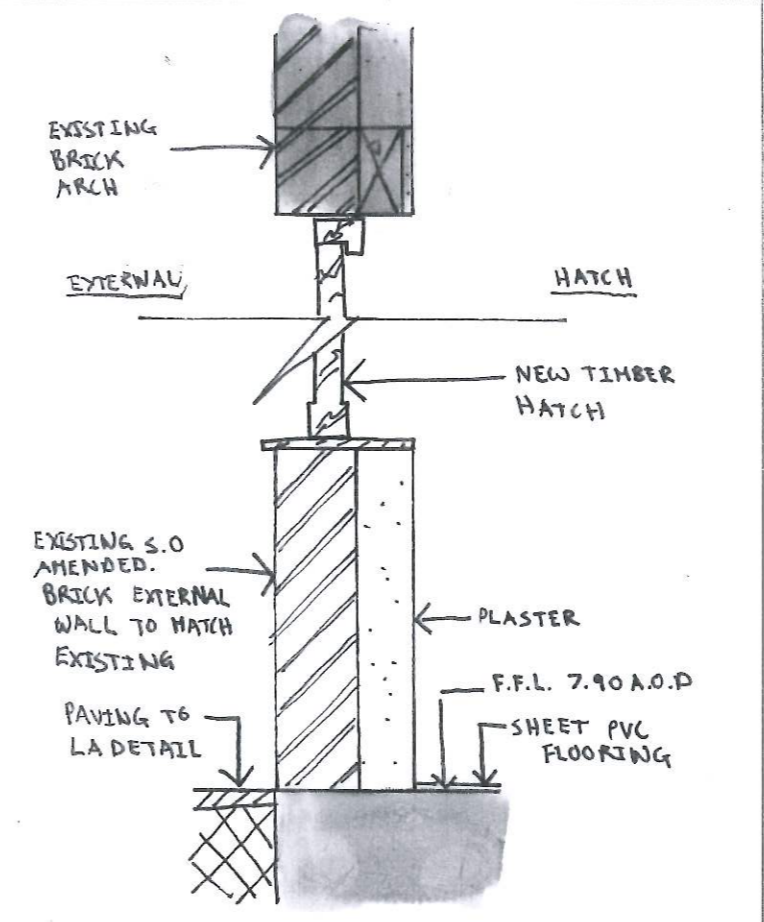


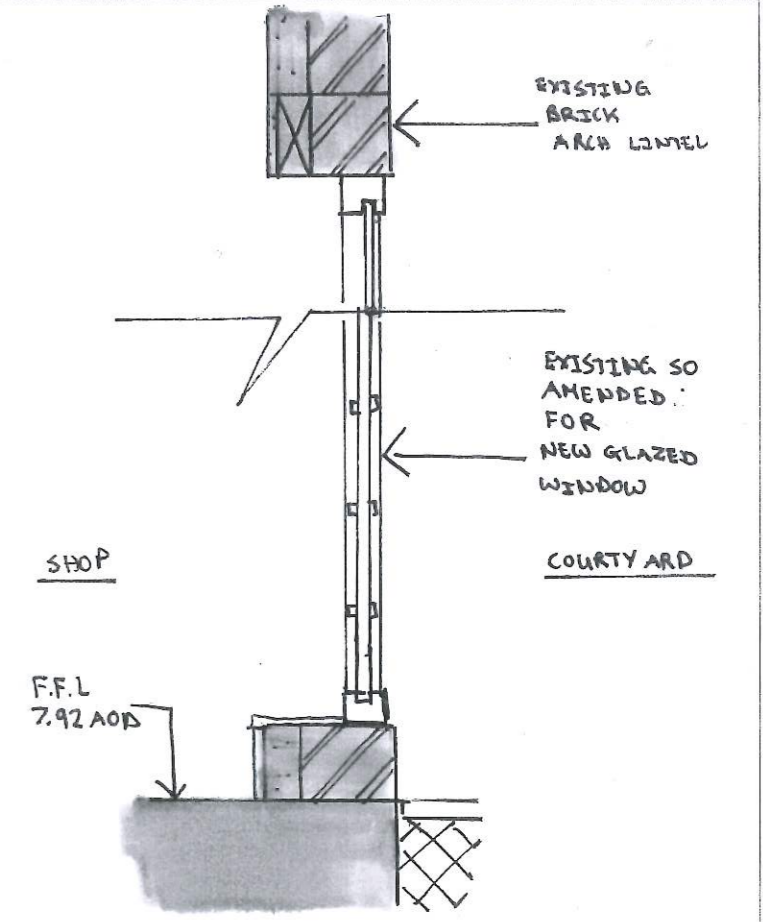
Detail Section : External door to Shop 001.1



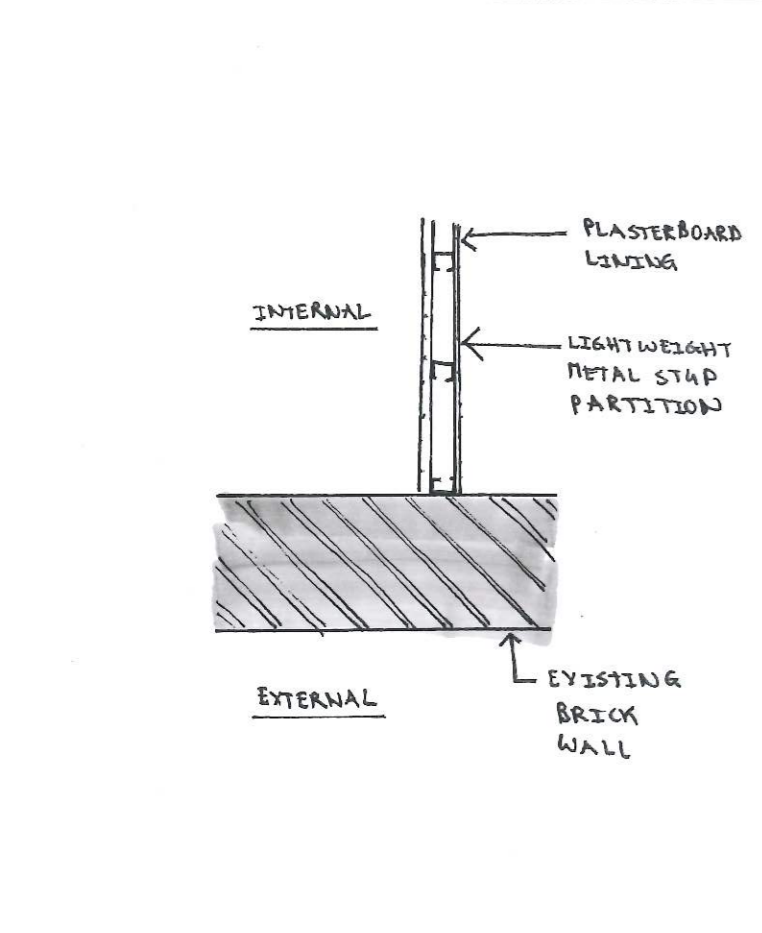
Detail Section : External door to Plant 001.2



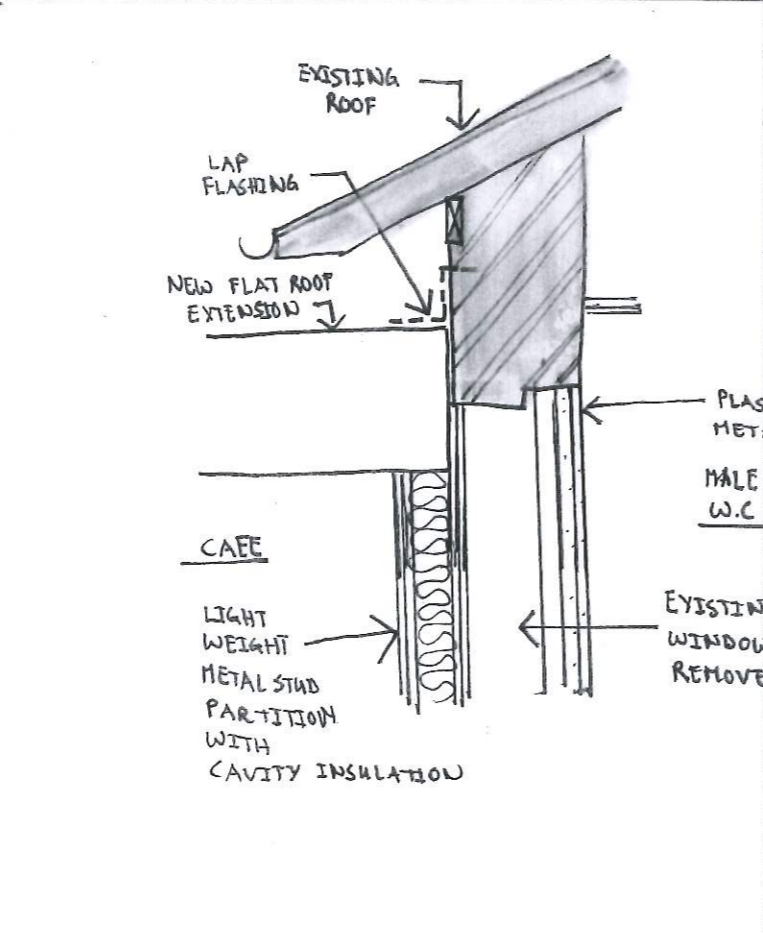
Detail Section : Hatch opening 001.3



Detail Section : New full height windows to Shop 001.4



Detail Plan : Internal partitions 001.5



Detail Section : New flat roof extension 001.6

DRAFT - For information

Never scale dimensions from this drawing. Use written dimensions only. Report any discrepancies. Ask if in doubt. Always use latest revision.

| Revisions | Date | Revisions |
|-----------|------|-----------|
| | | |

| Key | |
|-----|----------|
| | Existing |
| | New |

| | | |
|--|-----------------------|----------------|
| van Heyningen and Howard Architects | CAD file | CAD File |
| Job title: Marble Hill Cafe | Scale: 1:20 @ A3 | Date: 20.01.17 |
| Client: English Heritage | Drawn by: NC | Checked by: JM |
| Drawing title: Stable Block refurbishment details | Drawing no: 533-D-001 | Rev: - |
| van Heyningen and Howard Architects, 1a Harwood Street, London NW1 8DN 1 020 3562 4488 e info@vhh.co.uk | | |

