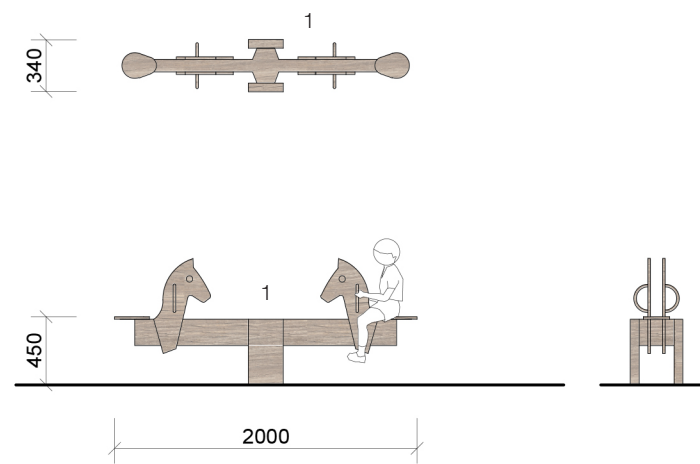


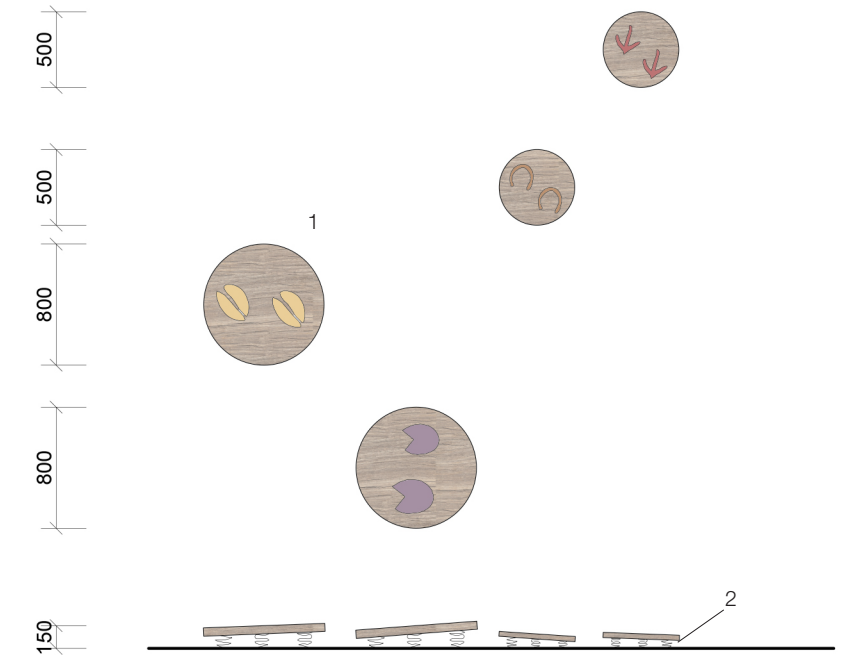
CHILD-SIZE PICNIC TABLE

- 1 - Wooden picnic table
- 2 - Carved plates, cups and cooking equipment for pretend play



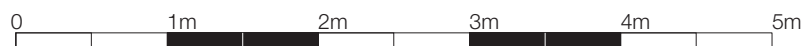
SADDLE SEE-SAW

- 1 - Wooden see-saw with carved features to resemble horses



WOBBLE BOARDS

- 1 - Wobble boards with carved animal footprints on the surface
- 2 - Springs



J & L GIBBONS LLP LANDSCAPE ARCHITECTURE URBAN DESIGN  19 SWAN YARD, LONDON N1 1SD T: 020 7226 1345	Project: MARBLE HILL REVIVED			Drawing title: PLAY AREA Play equipment 3 of 4	
	Date: 16_02_2017	Scale: 1:50 @ A3	Status: Planning	Drawing number: 581_PL_L_15	
<small>The information in this drawing is copyright of J &amp; L Gibbons LLP. Do not scale from this drawing. All dimensions are to be verified on site prior to construction. J &amp; L Gibbons LLP to be informed of any variation between site conditions and dimensions.</small>	Drawn: SD	Checked: ND	Approved: ND	Rev:	