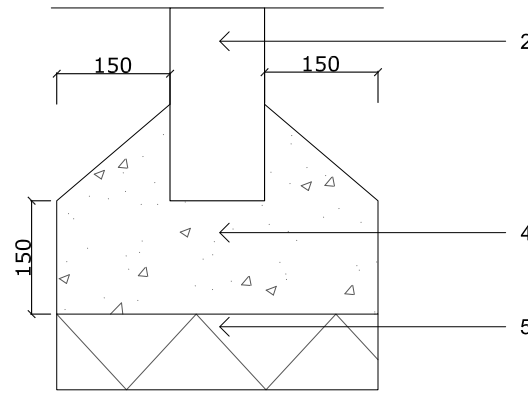
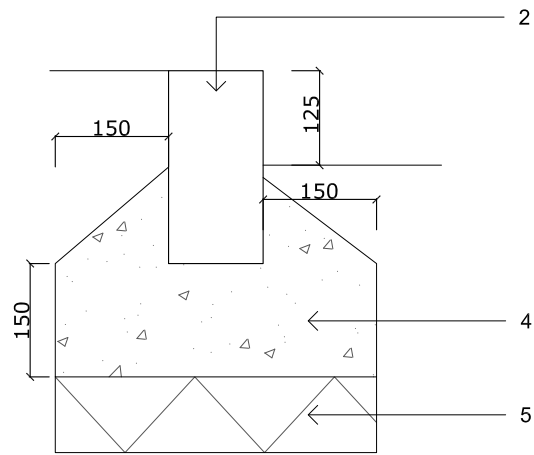


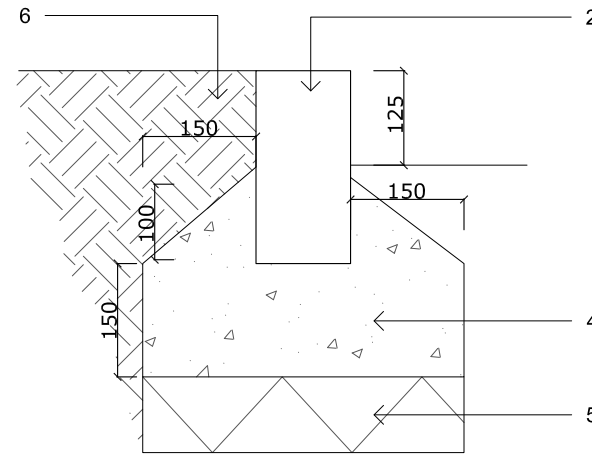
A GK300 - 300mm Granite kerb, 50mm upstand
1:10 @ A3



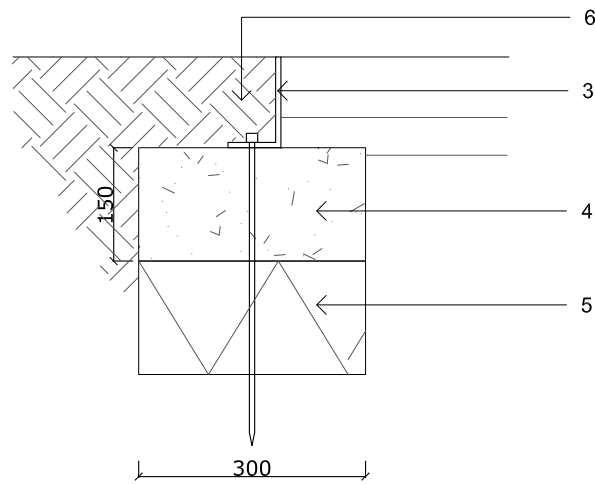
B K125 - 125mm PCC kerb, flush
1:10 @ A3



C K125 - 125mm PCC kerb, 125mm upstand
1:10 @ A3



D K125 - 125mm PCC kerb, 125mm upstand to soft landscape
1:10 @ A3



E AE - Aluminium edge to soft landscape
1:10 @ A3

Notes

- Do not scale from this drawing, use only written dimensions.
- All dimensions are drawn in mm unless otherwise noted.
- All dimensions must be checked on site and any discrepancies verified with landscape architect.
- Landscape drawing only - to be read in conjunction with architect and engineers drawings.
- All materials/items used to be as specified or alternatives to be approved by landscape architect.

1. Natural stone Granite kerb 300x225x915mm. Fine picked finish to top and front faces, sawn sides and bottom. Silver grey colour or similar. Installed flush or with nominal 50mm upstand.
2. Standard PCC kerb 125x255x915mm. Flat top, installed flush or with nominal 125mm upstand.
3. Aluminium edging 120x70x7mm, as 'AluExcel' by Kinley Systems or similar - 120mm Flexible' with 400mm anchor pins.
4. ST2 concrete haunch/ bed
5. Type 1 granular material
6. Topsoil - as Q28.

Iss	Date	Issue Notes	HC	EP	EP
A	18.05.17	First Issue			

LUC 43 Chalton Street
London, NW1 1JD
T: 020 7383 5784
F: 020 7383 4798
london@landuse.co.uk
www.landuse.co.uk

Project
**Richmond Upon Thames College
Sports Centre**

Client
Atkins

Title
Edging Details

Scale
1:10@A3

Status
for Planning

Job No. 6377	Drawing No. LD DET 631	Issue A
------------------------	----------------------------------	-------------------