

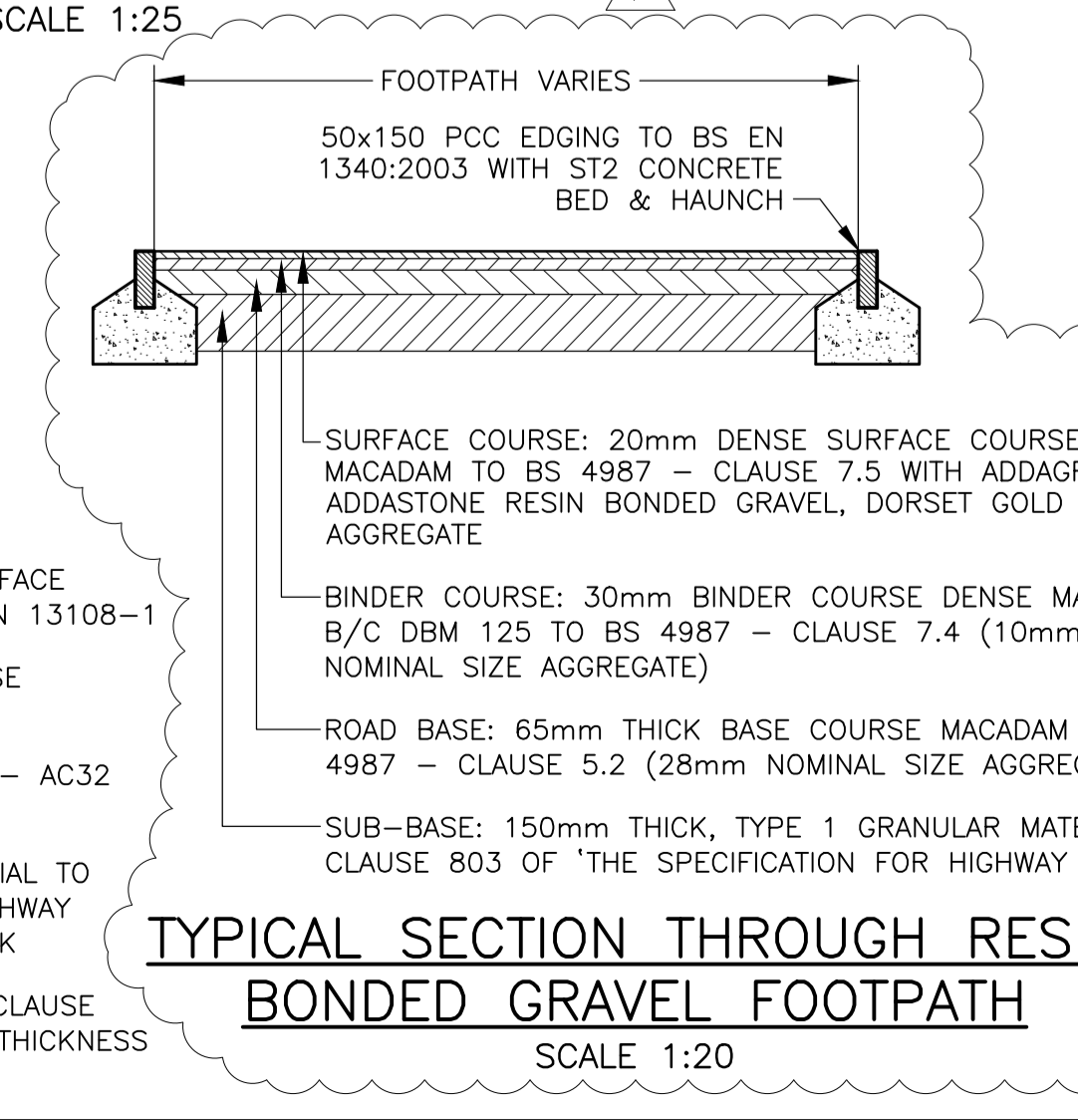
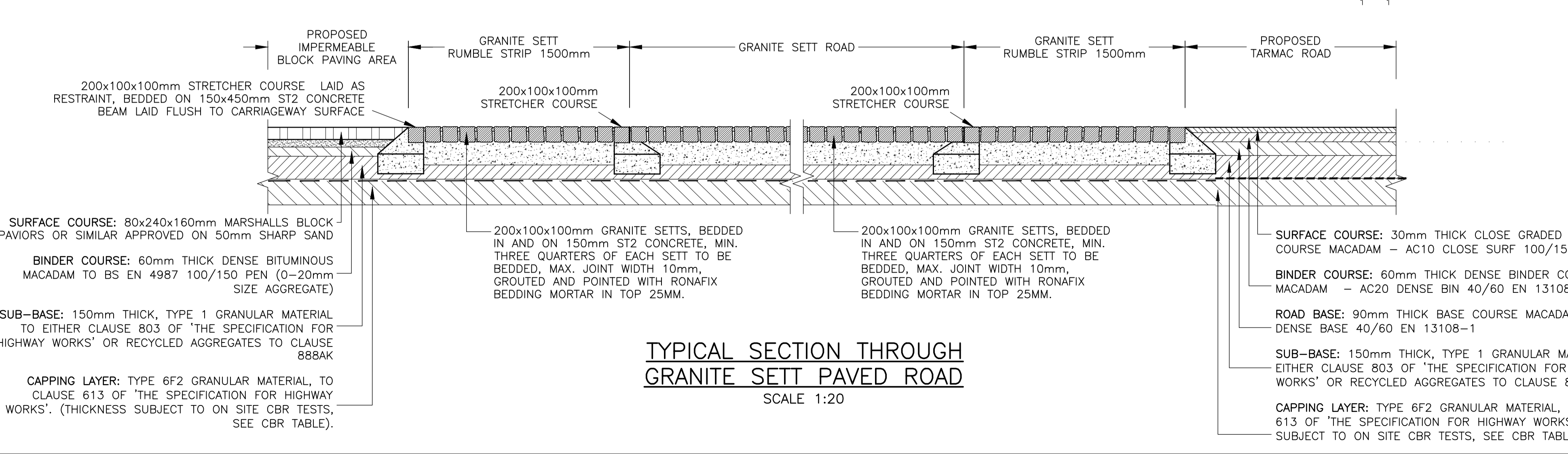
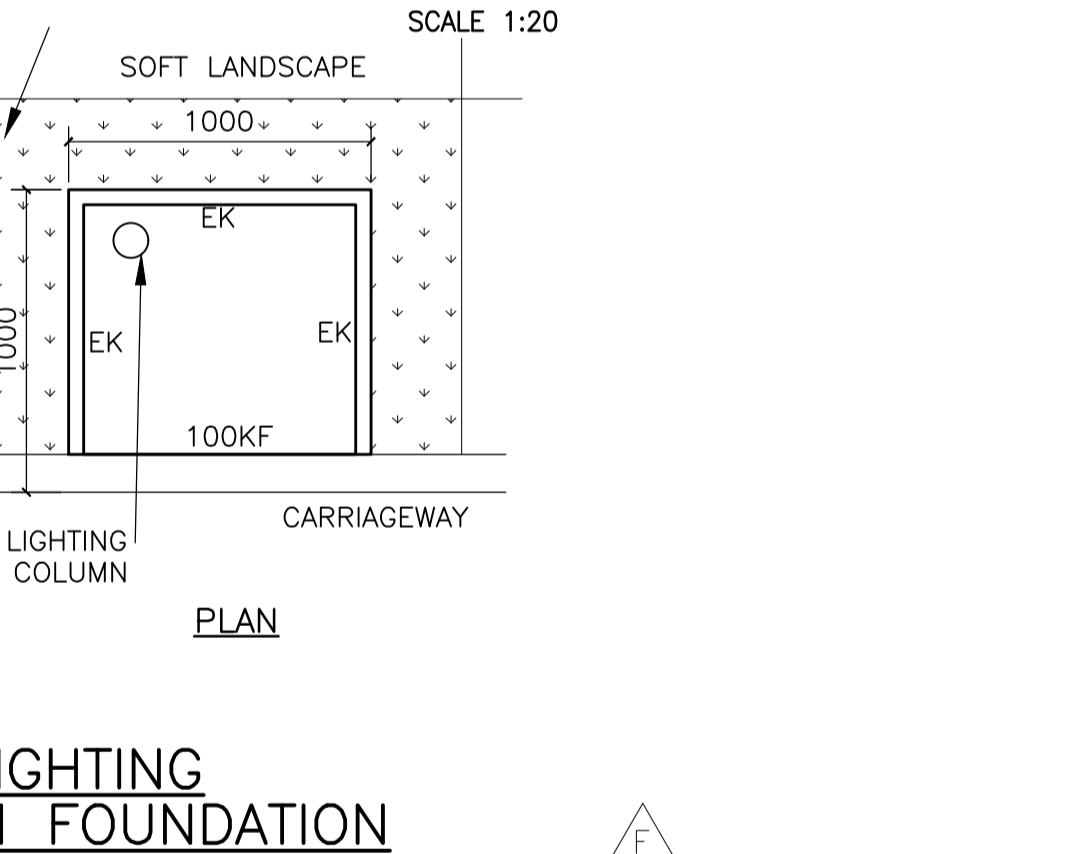
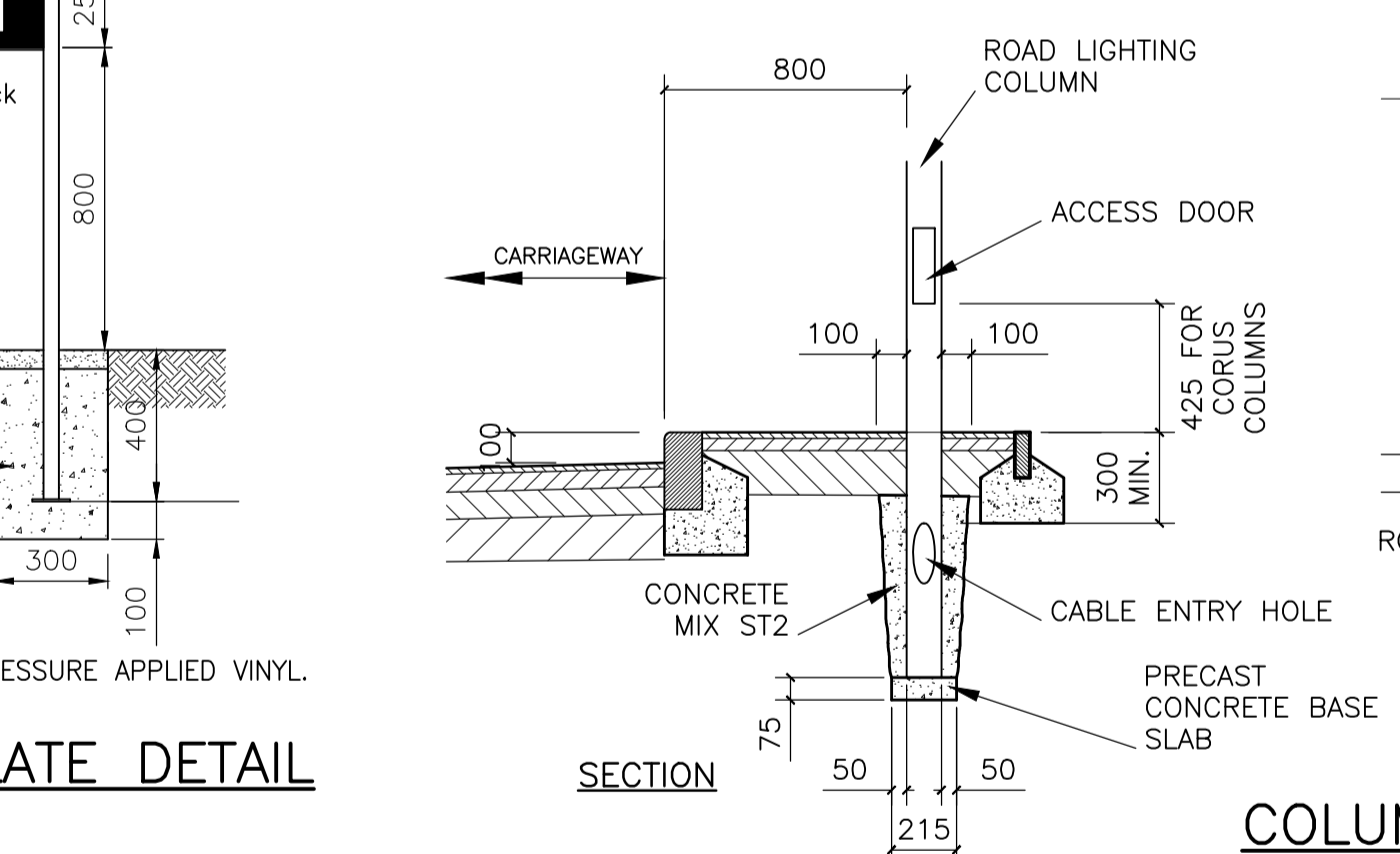
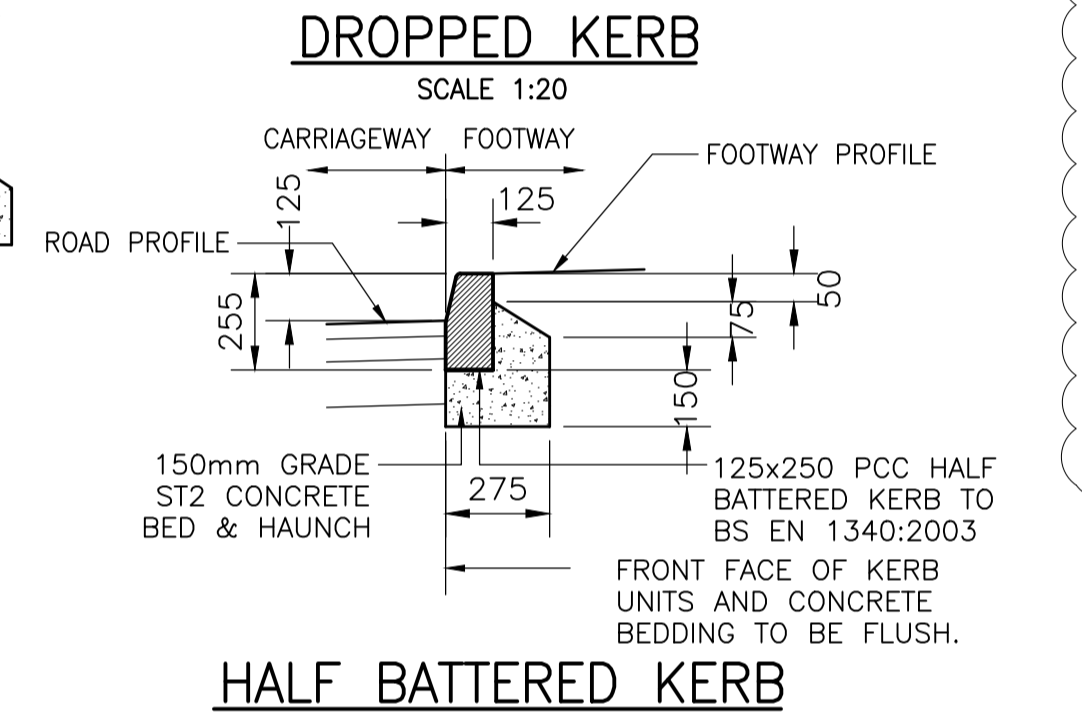
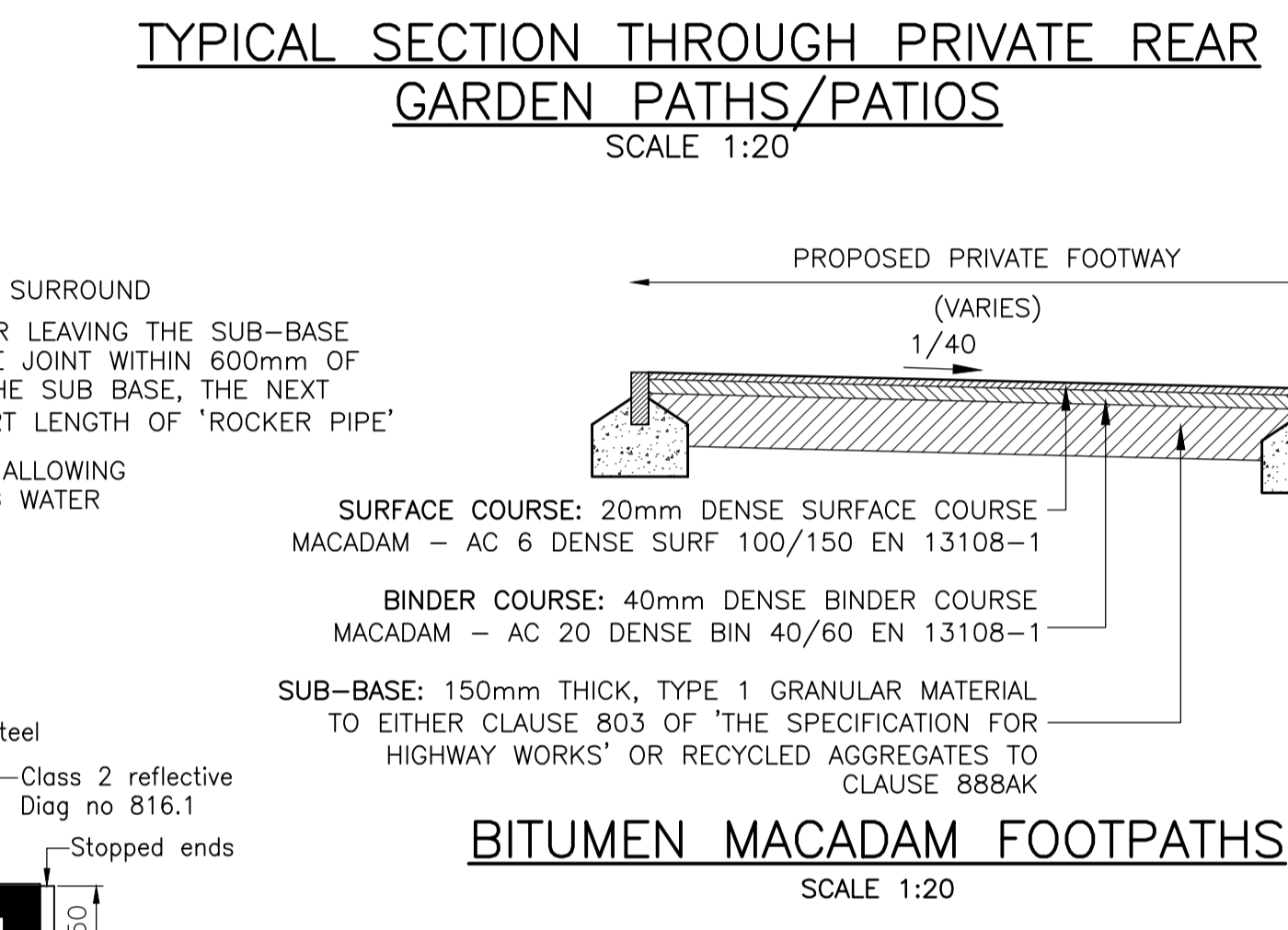
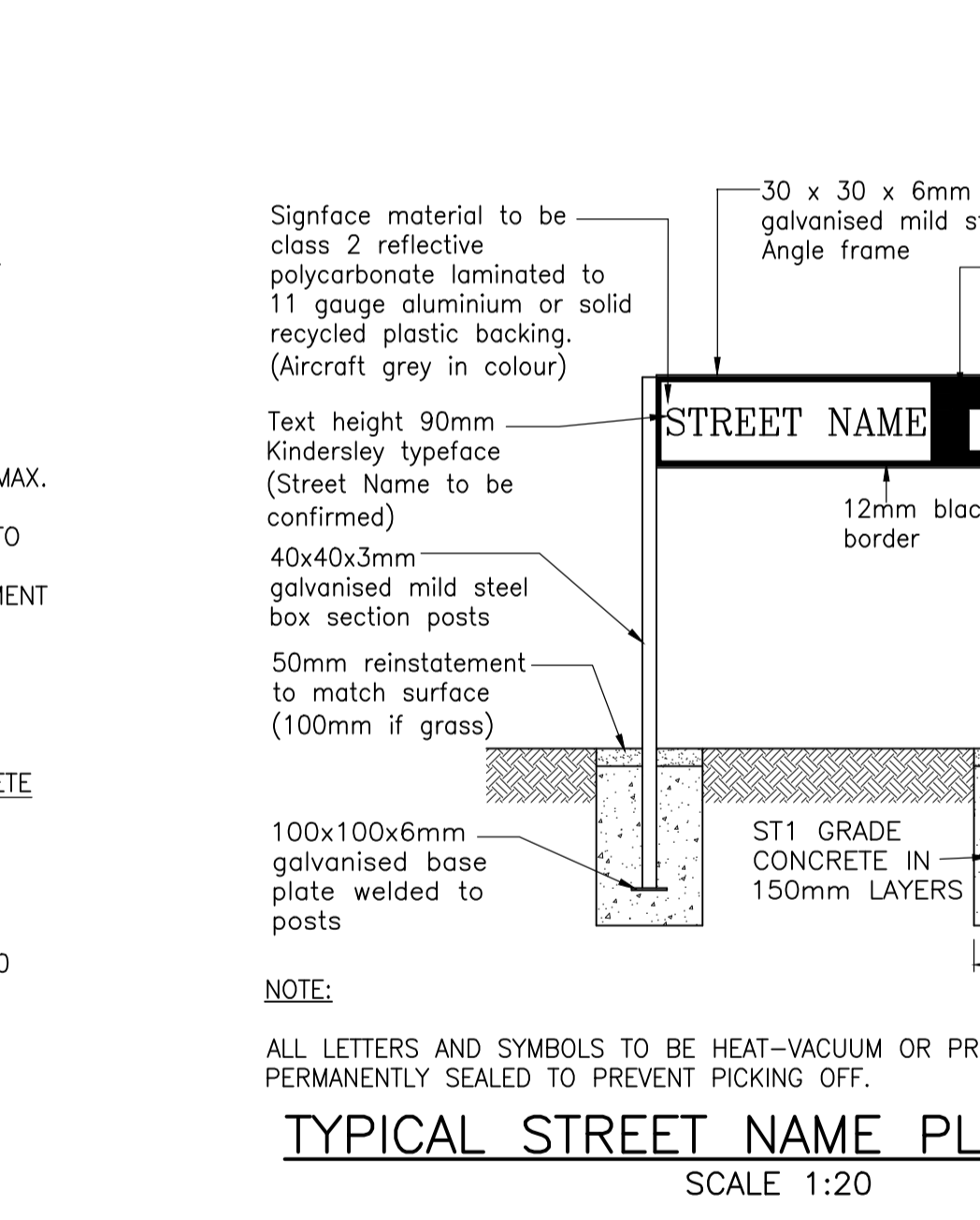
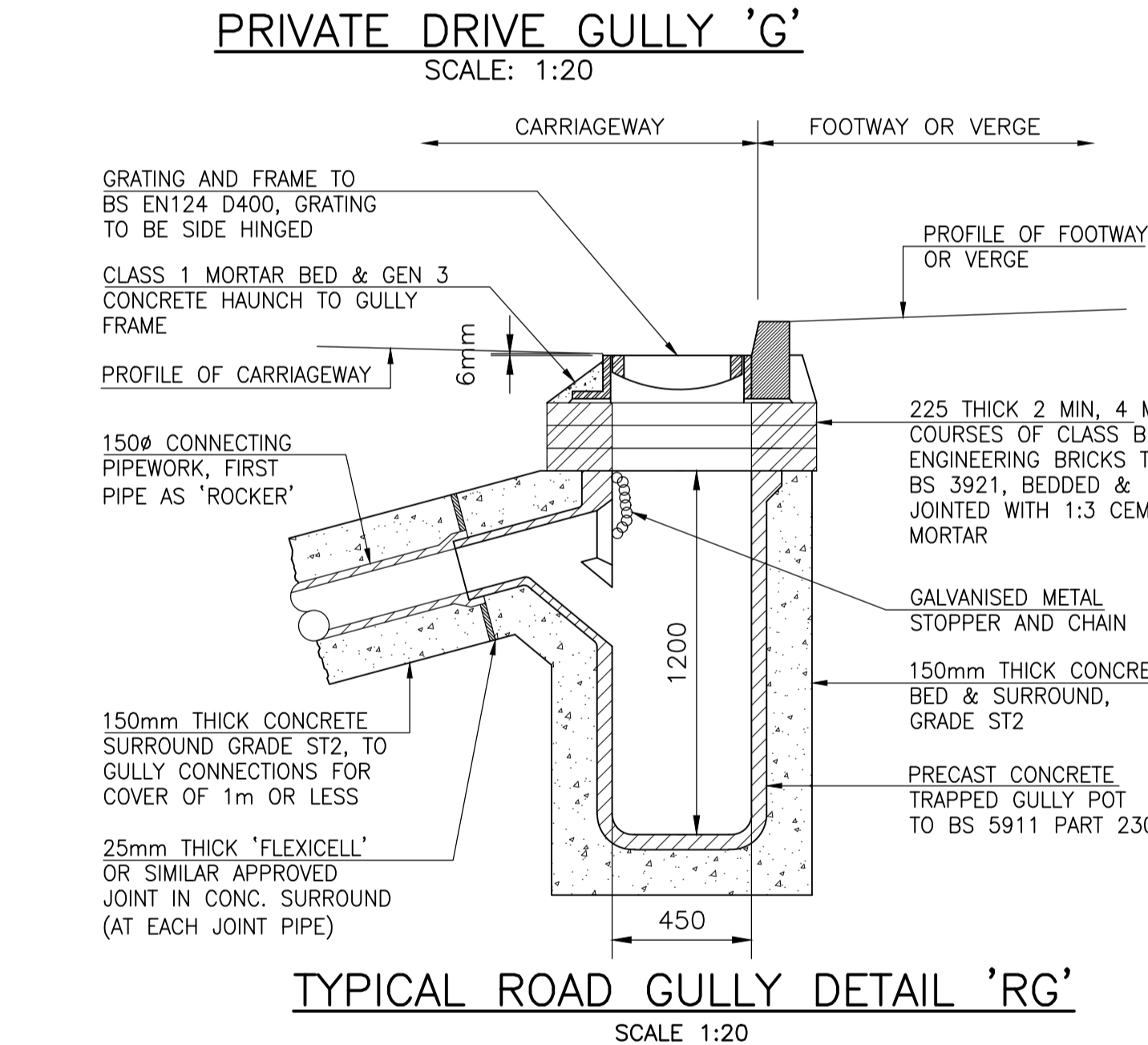
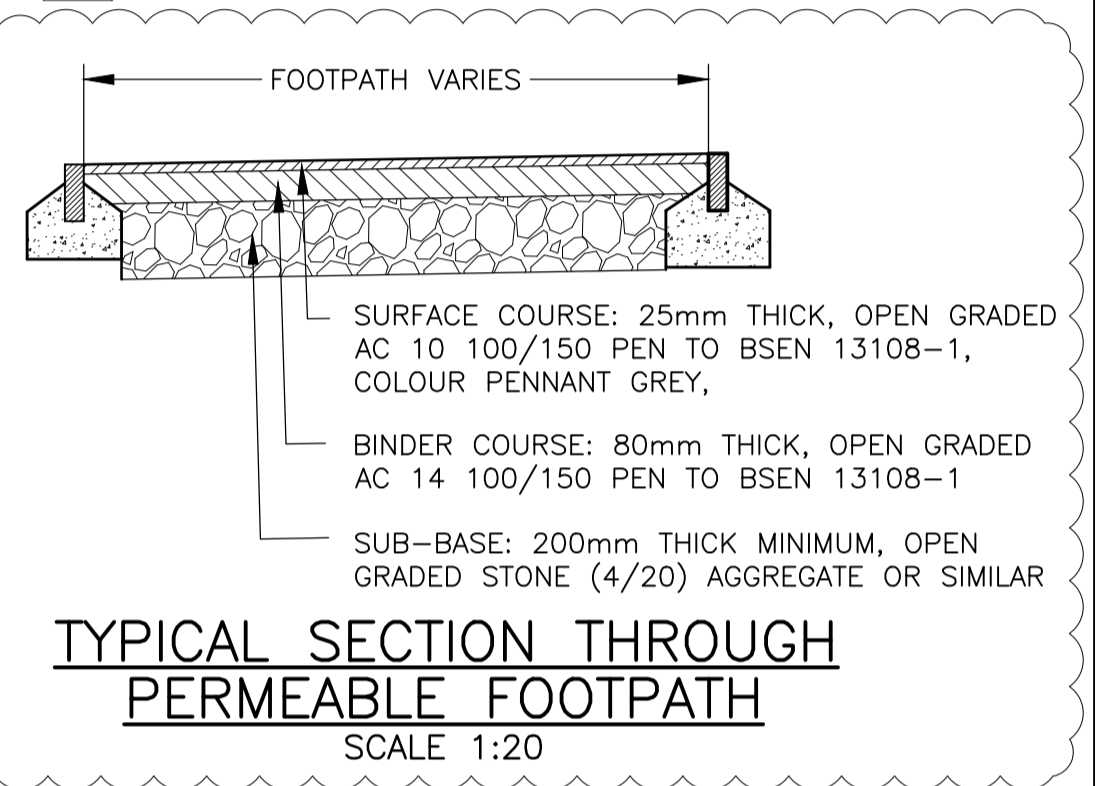
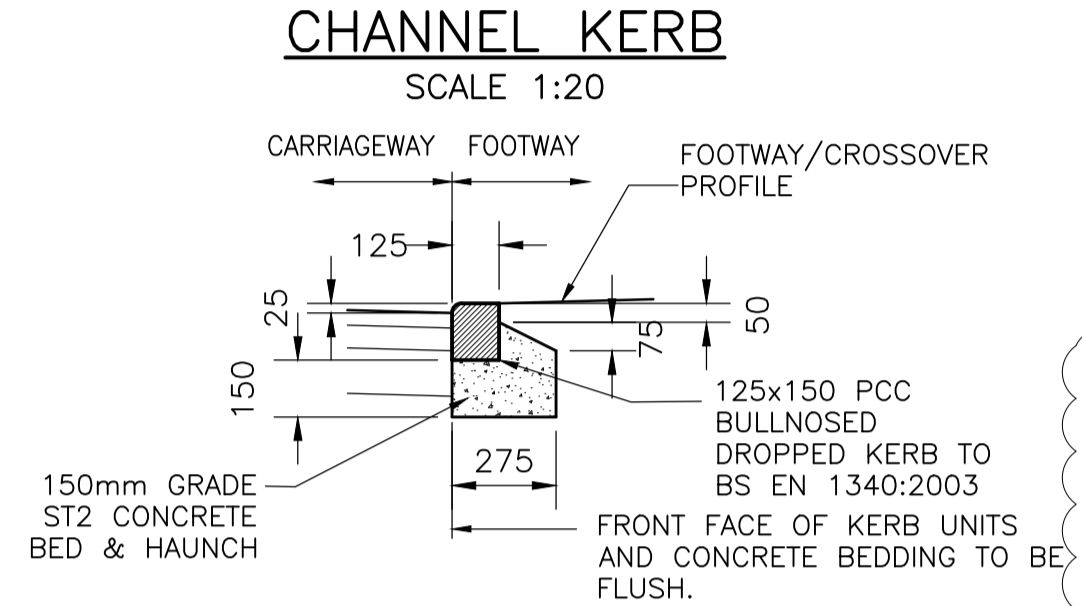
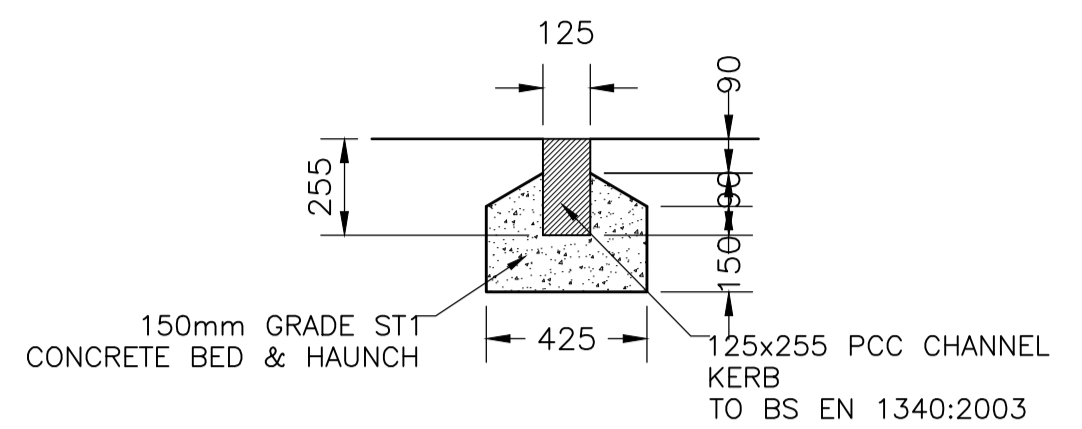
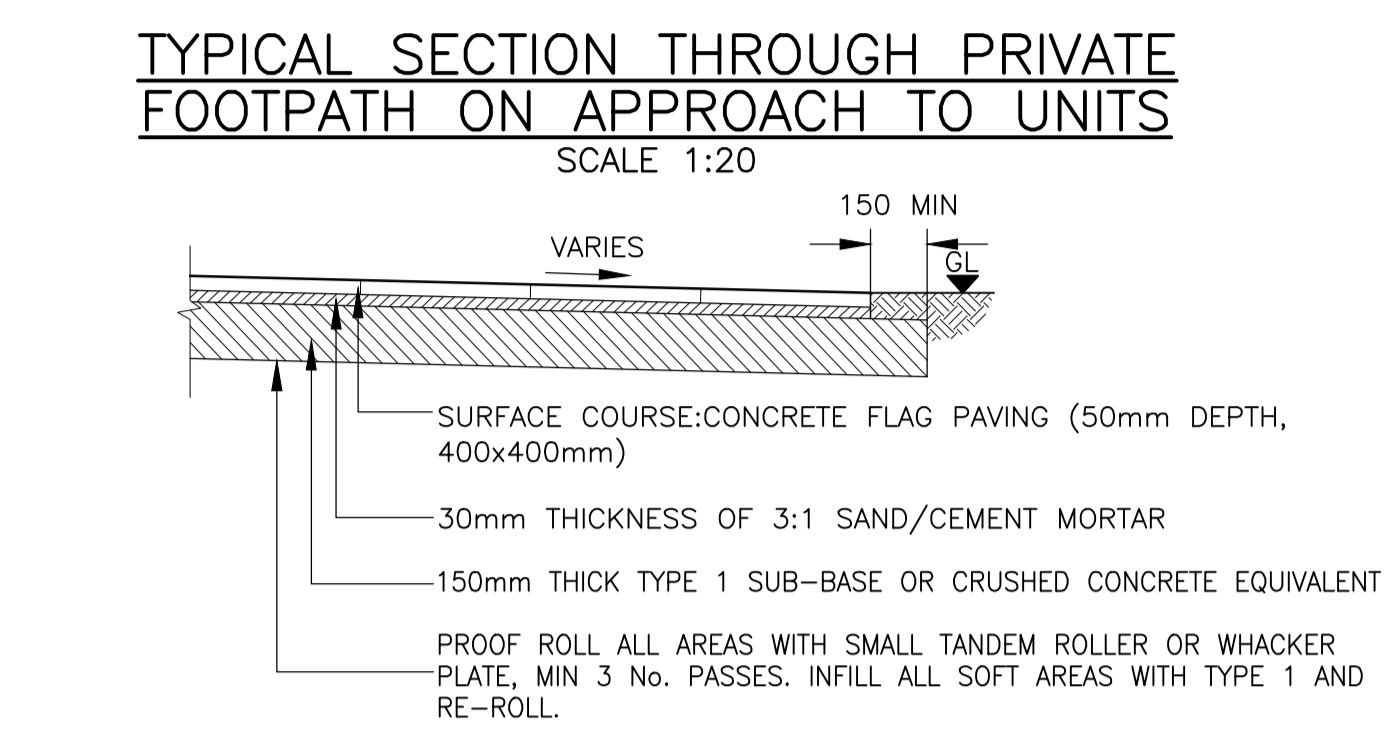
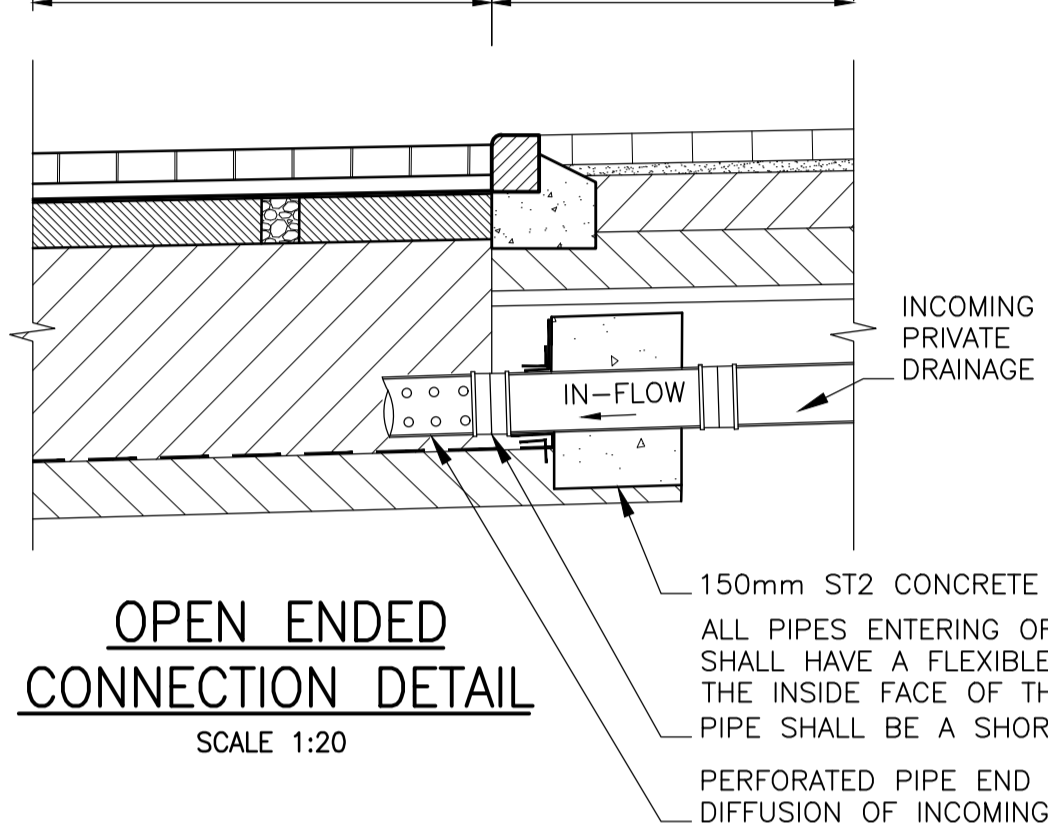
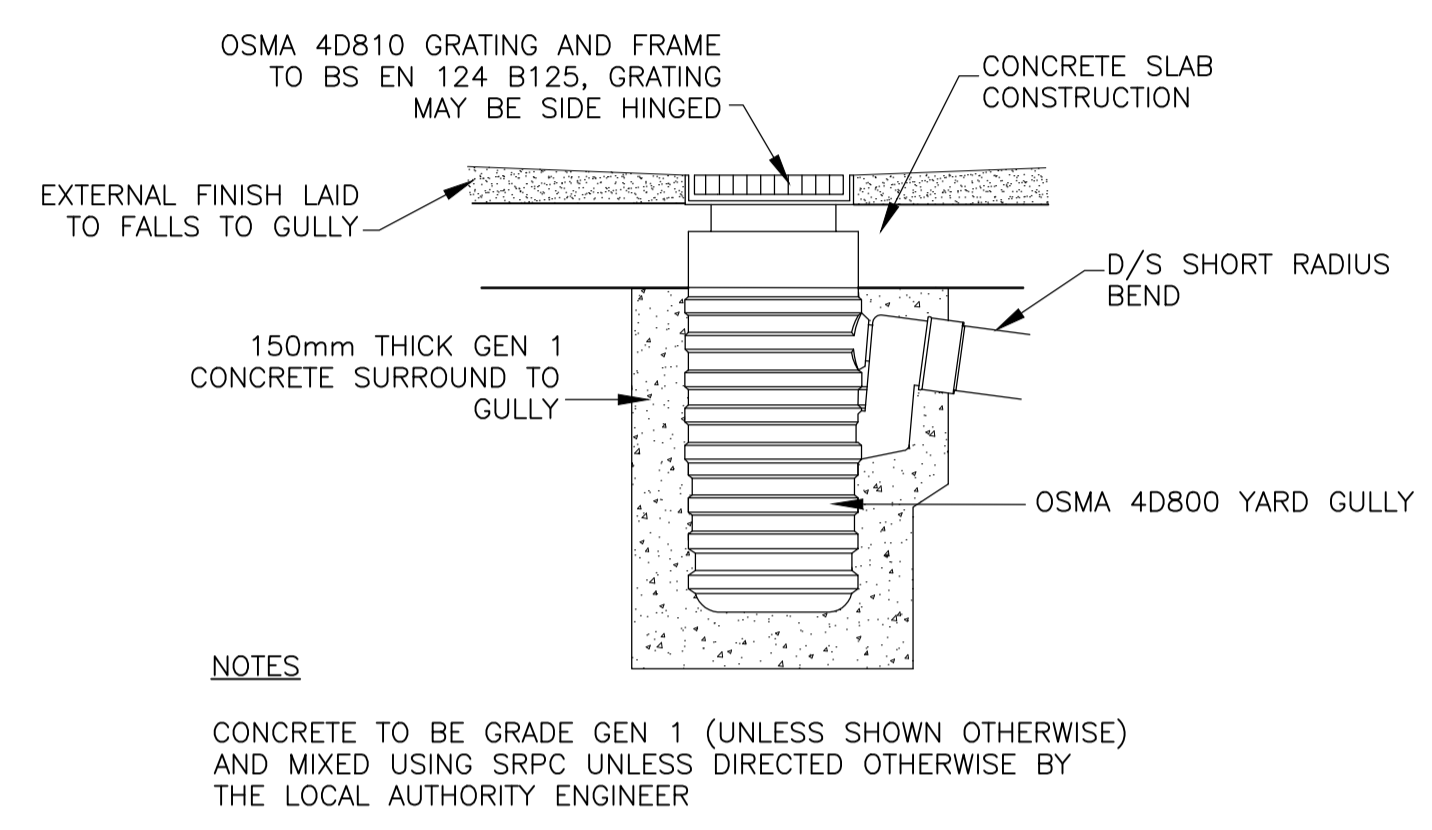
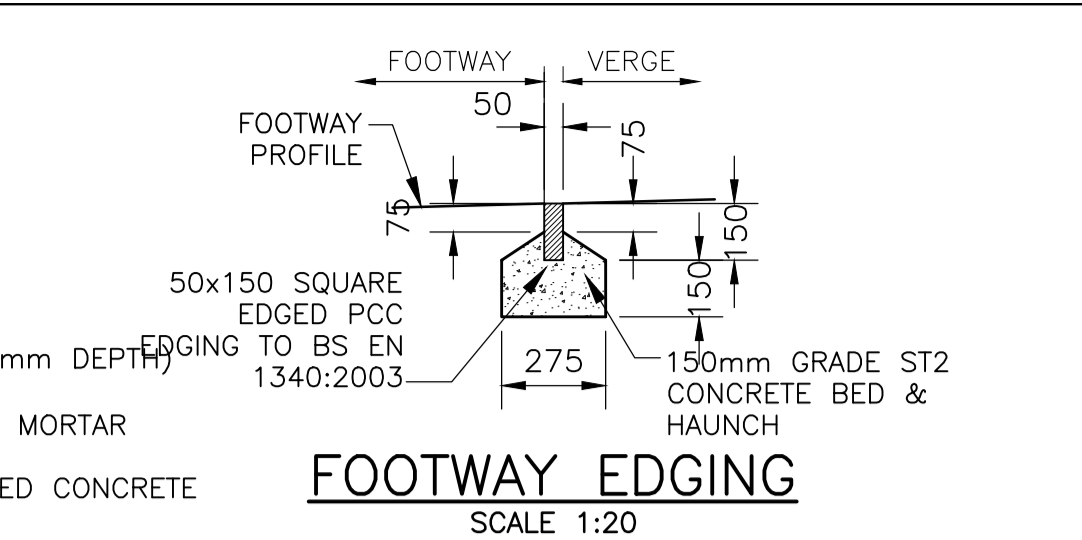
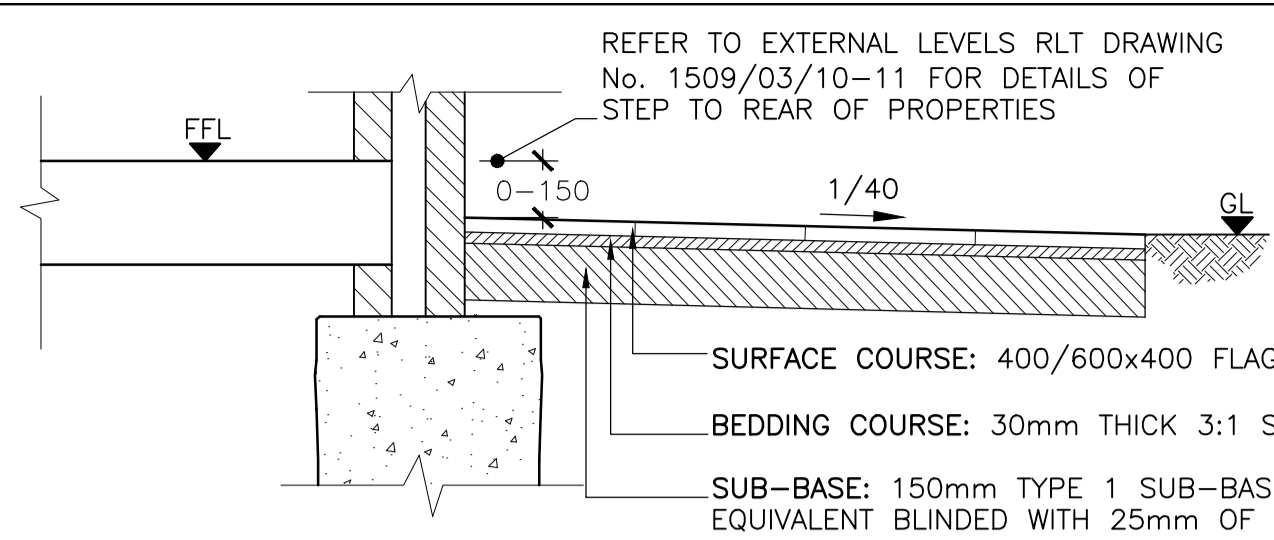
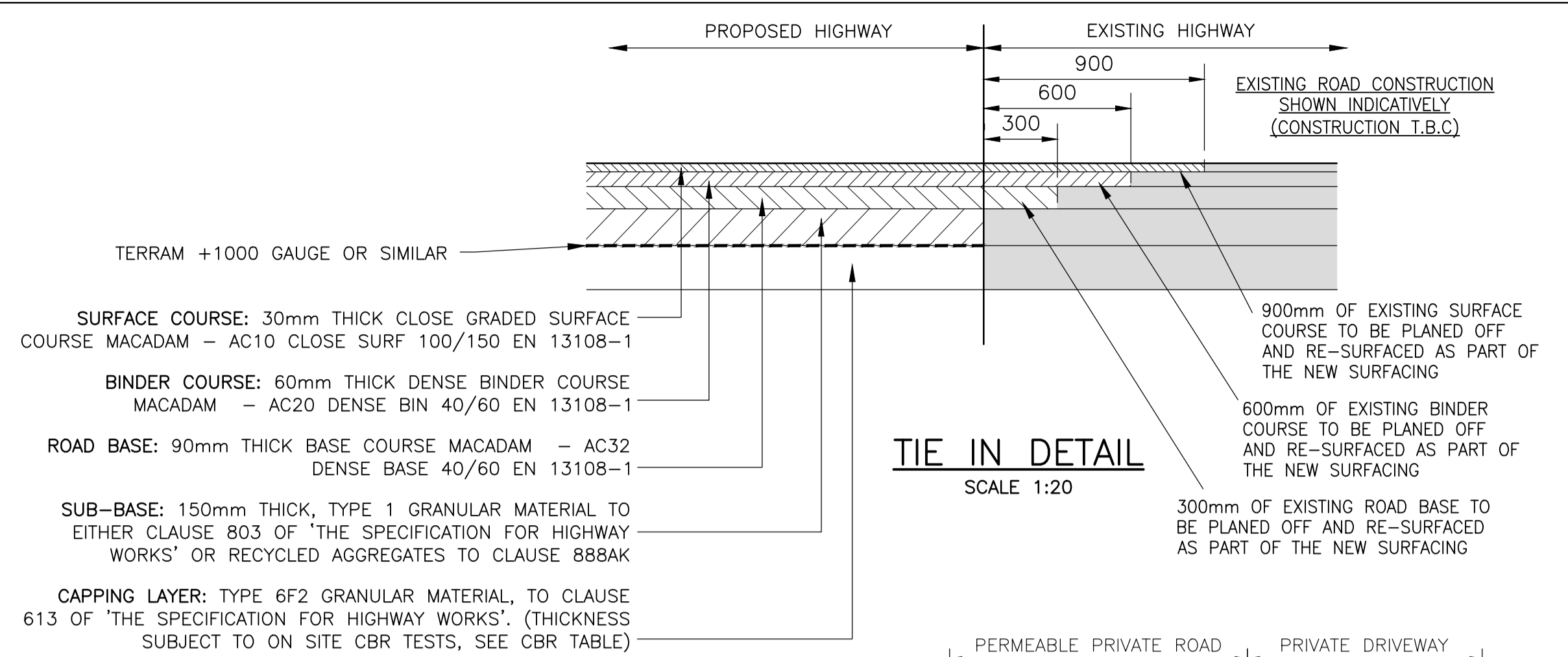
GENERAL NOTES
 1. THIS DRAWING IS TO BE READ IN CONJUNCTION WITH THE ARCHITECTS, SPECIALISTS AND ENGINEERS DRAWINGS AND SPECIFICATIONS. ANY DISCREPANCIES ARE TO BE REPORTED TO THE ARCHITECT/ENGINEER IMMEDIATELY.

KERB NOTES:
 1. NO KERB SHALL BE LAID MORE THAN 3mm OUT OF LINE OR LEVEL. IF THIS TOLERANCE IS EXCEEDED THE KERB SHALL BE TAKEN UP AND RE-LAID.
 2. CIRCULAR KERBS OF LESS THAN 12m RADIUS TO BE PRECAST CIRCULAR UNITS. BENDS OF RADI GREATER THAN 12m TO BE MADE UP OF SHORT STRAIGHT LENGTHS. ALL KERBS LAID TO 3mm TOLERANCE AS PER NOTE 1 WITH SAME TOLERANCES.

CBR TABLE

CBR VALUE	SUB-BASE	CAPPING
5% to <10%	150	150 TYPE 6F2
>3% to <5%	150	180 TYPE 6F2
2% to 3%	150	210 TYPE 6F2
<2%	150	330 TYPE 6F2

A NON WOVEN GEOTEXTILE IS REQUIRED AS A SEPARATION LAYER BETWEEN THE SUB-BASE AND CAPPING LAYER



REVISIONS

Rev	Date	Description	Drawn & Checked
G			
F	28.07.17	RESIN BOUND GRAVEL DETAILS ADDED	DM SC
E	11.01.17	GRANITE SETT DETAIL ADDED	DM SC
D	06.12.16	IN ABEYANCE NOTE REMOVED	DM SC
C	29.09.16	IN ABEYANCE NOTE ADDED	DM SC
B	06.07.16	PRIVATE DRIVE GULLY ADDED, NOTES AMENDED	AZ SC
A	27.05.16	NOTES AMENDED	RM JCU
Rev	Date	Description	Drawn & Checked
Date	05.02.16	FIRST ISSUE	DM SC

LATCHMERE HOUSE

Title

PRIVATE ROAD & HARD LANDSCAPING CONSTRUCTION DETAILS SHEET 2 OF 2

Client

BERKELEY HOMES (WEST LONDON) LIMITED

Architect

BROOKES ARCHITECTS

RLT ENGINEERING CONSULTANTS LTD
 CIVIL AND STRUCTURAL CONSULTING ENGINEERS
 2 ST PETER'S COURT
 MIDDLEBOROUGH COLCHESTER, ESSEX, CO1 1WD
 T: 01206 768655
 F: 01206 768656
 E: email@rltengcon.co.uk

ISO 9001 REGISTERED FIRM

Dwg No. 1509/03/06 Scales: 1:20 @ A1 Rev: F