

**APPENDIX A**  
**FIELDWORK RECORDS**

# STATS

Specialist Engineering, Materials  
and Environmental Consultants

# BOREHOLE RECORD (Percussive)

Borehole  
Number:

**BH1**

Site:  
Askerman Glass House

Location:  
53 Mount Ararat Road,  
Richmond, TW9 6PL

Client:  
Jane Wernick Associates Ltd

Ground Level:  
GL not measured

Date:  
21 Dec 05

Job No:  
34981

## GROUND WATER

## SAMPLES/TESTS

## STRATA RECORD

Sheet 1 of 1

Strike	Well	Depth (m)	Depth/Type (m)	N Values II Blows	Depth (m)	Level (m AOD)	Key	Description
		0.30	1.1		0.30	0.30	[Cross-hatched pattern]	MADE GROUND: Grass top over brown sandy gravelly CLAY. Gravel fine-medium, sub-angular to sub-rounded of flint. Also fine-medium sub-angular to angular gravel of brick. Contains cherty pebbles with several nodules.
		0.60	1.2		0.60	0.60		MADE GROUND: Dark brown sandy gravelly CLAY. Medium-coarse sub-angular to sub-rounded gravel of brick, pebbles and flint. Also contains cherty fragments, pebbles, glass and occasional spherulites.
		0.75	1.3		0.65	0.65		MADE GROUND: Dark brown sandy gravelly CLAY. Medium-coarse sub-angular to sub-rounded gravel of brick, pebbles and flint. Also contains cherty fragments, pebbles, glass and occasional spherulites.
		1.50	1.4			1.15	[Horizontal line pattern]	Fine light brown orange slightly silty sandy gravelly CLAY. Medium-coarse, sub-rounded to rounded gravel of flint (RESOURCED LONDON CLAY).
		2.25	1.5		0.70	0.70		Fine light brown orange slightly silty sandy gravelly CLAY. Medium-coarse, sub-rounded to rounded gravel of flint (RESOURCED LONDON CLAY).
		3.00	1.6			1.40	[Horizontal line pattern]	Fine light brown orange slightly silty sandy gravelly CLAY. Medium-coarse, sub-rounded to rounded gravel of flint (RESOURCED LONDON CLAY).
		3.75	1.7		2.10	2.10		<ul style="list-style-type: none"> <li>At 2.50m Colour becomes brownish and less orange.</li> <li>At 3.10m Colour becomes mottled with grey streaks and black pebbles.</li> <li>At 4.00m Clay becomes stiff.</li> <li>At 3.50m - 3.70m Contains occasional orange patches.</li> <li>At 4.00m Contains occasional grey spherulitic fragments.</li> <li>At 4.00m Light grey streaks become darker and less frequent.</li> </ul>
					2.80	2.80		
					3.00	3.00		
					3.00	3.00		End of Borehole at 3.00 m.

Remarks and Water Observations:  
No Groundwater Encountered

Scale: 1:50  
Logged by: FCR  
Figure: A1

# STATS

Specialist Engineering Materials  
and Environmental Consultants

## TRIAL PIT RECORD

Trial Pit  
Number:

Site:  
Ackerman Glass House

Location:  
53 Mount Ararat Road, Richmond, TW18 6PL

TP1

Client:  
Jane Wernick Associates Ltd.

Ground Level:  
CL not measured

Dates:  
21 Dec 05

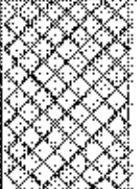
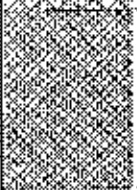
Job No.:  
24963

### GROUND WATER

### SAMPLES/TESTS

### STRATA RECORD

Sheet 1 of 1

Strike	Wall	Depth (m)	Type/Depth (m)	In-situ Tests	Depth (m)	Level (m AOD)	Key	Description
		1.1	1.20					MADE GROUND: Dark brown sandy gravelly FOSOL. Gravel fine to medium, sub-rounded to sub-angular, of fine red brick. Heavily rooted.
		1.2	1.80		0.60	1.80		MADE GROUND: Dark brown gravelly BRICK FILL. Gravel fine to coarse, sub-rounded to sub-angular of ceramic fragments, brick and flint. Fragment of antique decorative wall border. Contains several shottles, becoming less frequent towards the base.
		1.3	1.75		1.23	1.75		End of Trial Pit at 1.23 m.
		2						
		3						
		4						

Remarks and Water Observations

Key for In-situ tests:

EV Hand Vane (kN/m<sup>2</sup>)  
PP Pocket Penetrometer (kN/m<sup>2</sup>)  
MP Mucklacher Probe (kN/m<sup>2</sup>)

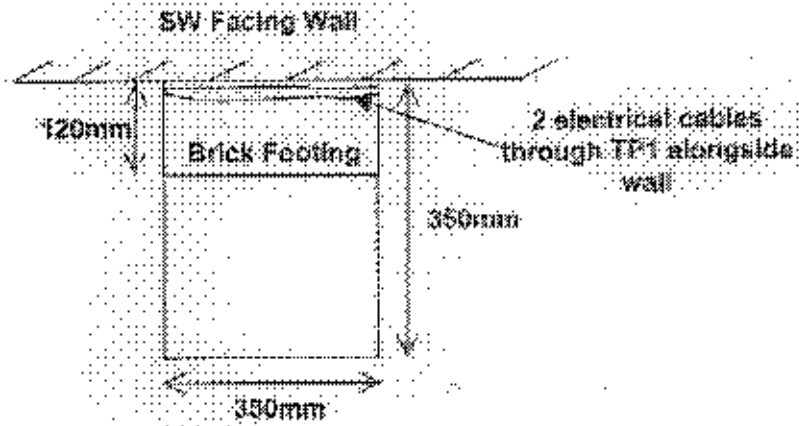
Scale: 1:25

Logged by: FSR

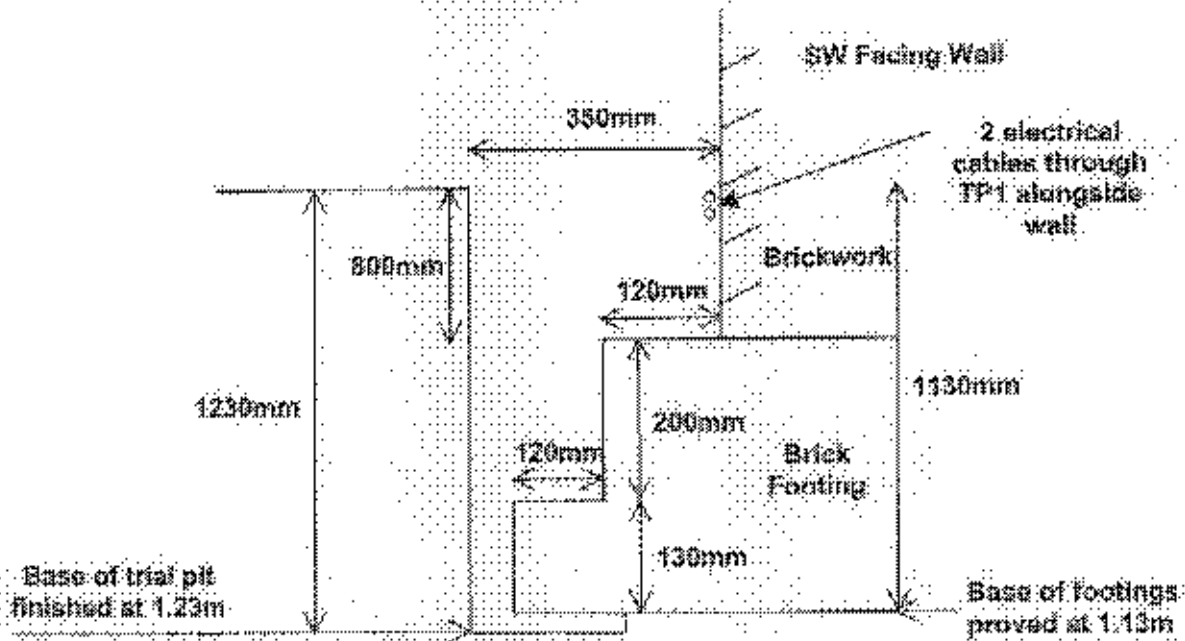
Figure: A2

# Trial Pit 1 (TP1)

## Plan View



## Side View



Site: Ackerman Glass House

Client: Jane Wernick Associates Limited

National Grid Reference: N/A

Scale: N/A

**STATS**

Trial Pit Drawing

Job No: 34961

Fig No: A3

# STATS

Specialist Engineering, Materials  
and Environmental Consultants

## TRIAL PIT RECORD

Trial Pit  
Number:

Site:  
Ackerman Glass House

Location:  
53 Mount Ararat Road, Richmond, TW10 8FL

TP2

Client:  
Jane Wemick Associates Ltd

Ground Level:  
GL not measured

Dates:  
21 Dec 05

Job No.:  
34961

### GROUND WATER

### SAMPLES/TESTS

### STRATA RECORD

Sheet 1 of 1

Strike	Well	Depth (m)	Type/Depth (m)	In situ Tests	Depth (m)	Level (MAGB)	Key	Description
			11 0.25					MADE GROUND: Brown granular TOPSOIL. Gravel of fine to coarse, sub rounded to sub angular of brick, glass and flint. Substandard roofing.
			12 0.50		0.45	0.40		MADE GROUND: Dark brown granular BRICKFILL. Gravel fine to coarse, rounded to sub angular of brick and flint. Slight roofing at the top of strata.
			15 0.75					
		1			1.40	0.00		End of Trial Pit at 1.40 m
		2						
		3						
		4						
		5						

Remarks and Water Observations

Key for In situ tests:

Scale: 1:25

HM-Band Vane (N/A) (G)

Logged by: JSR

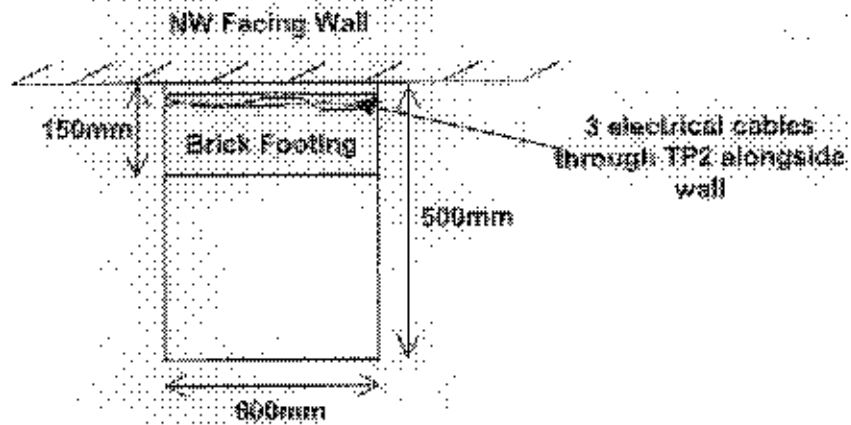
PP-Pocket Penetrometer (N/A) (G)

Figure: A3

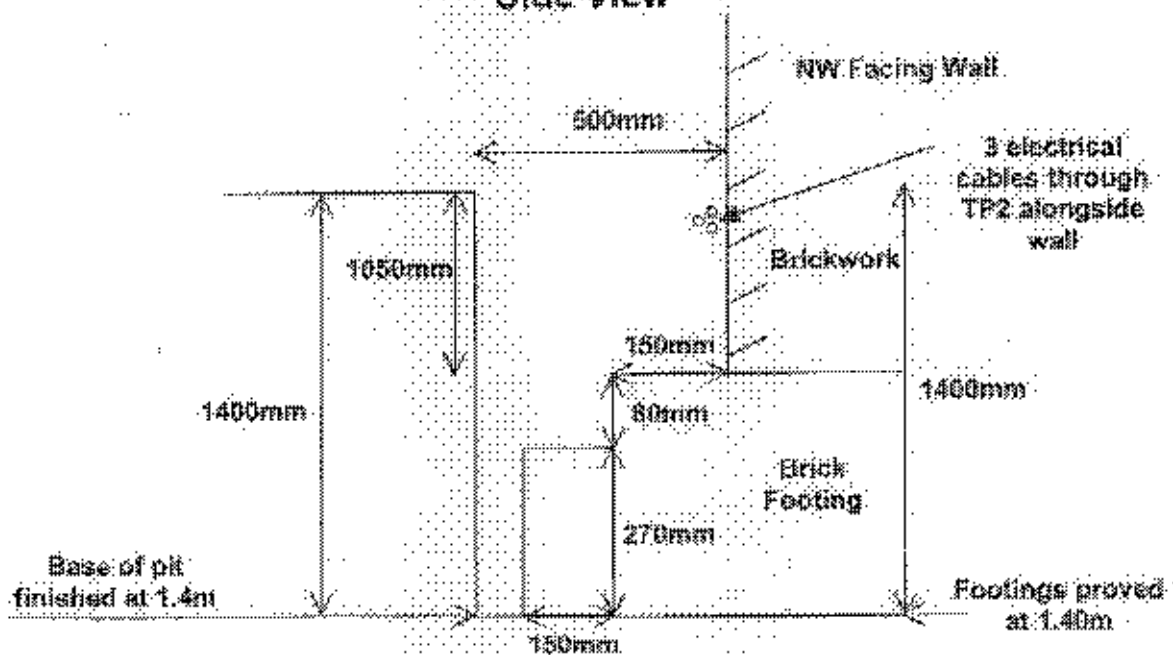
M2-Nickelsteel Probe (N/A) (G)

# Trial Pit 2 (TP2)

## Plan View



## Side View



Site: Ackerman Glass House

Client: Jane Wernick Associates Limited

National Grid Reference: N/A

Scale: N/A

**STATS**

Trial Pit Drawing

Job No: 34961

Fig No: A5

# STATS

Specialist Engineering, Materials  
and Environmental Consultancy

## TRIAL PIT RECORD

Trial Pit  
Number:

Site:  
Ackerman Glass House

Location:  
53 Mount Ararat Road, Richmond, TW10 6PL

TP3

Client:  
Jane Werrick Associates Ltd.

Ground Level:  
GL: not measured

Dates:  
21 Dec 05

Job No.:  
34961

### GROUND WATER

### SAMPLES/TESTS

### STRATA RECORD

Sheet 1 of 1

Strata	Depth (m)	Level (m AOD)	Description
1	0.00 - 0.30	0.30	MADE GROUND: Dark brown sandy gravelly TOPSOIL. Gravel 10% to medium, rounded to sub-rounded of bank and flint. Vety heavily rooted with substantially sized roots.
2	0.30 - 1.00	1.00	MADE GROUND: Dark brown gravelly BRICKFLIT. Gravel medium, sub-rounded to sub-angular of brick and flint.
End of Trial Pit at 1.00 m			
3	1.00 - 2.00		
4	2.00 - 3.00		
5	3.00 - 4.00		

Remarks and Water Observations:

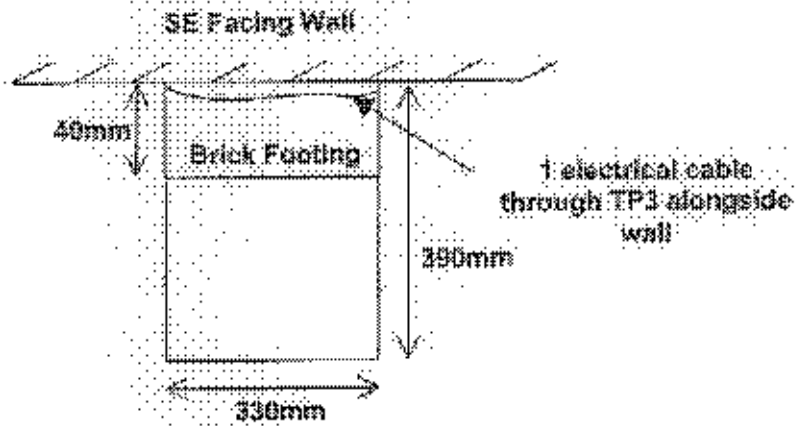
Key for Insitu tests

- UV - Hand Vane (kN/m<sup>2</sup>)
- FP - Pocket Penetrometer (kN/m<sup>2</sup>)
- MP - Marchizotti Probe (N/50)

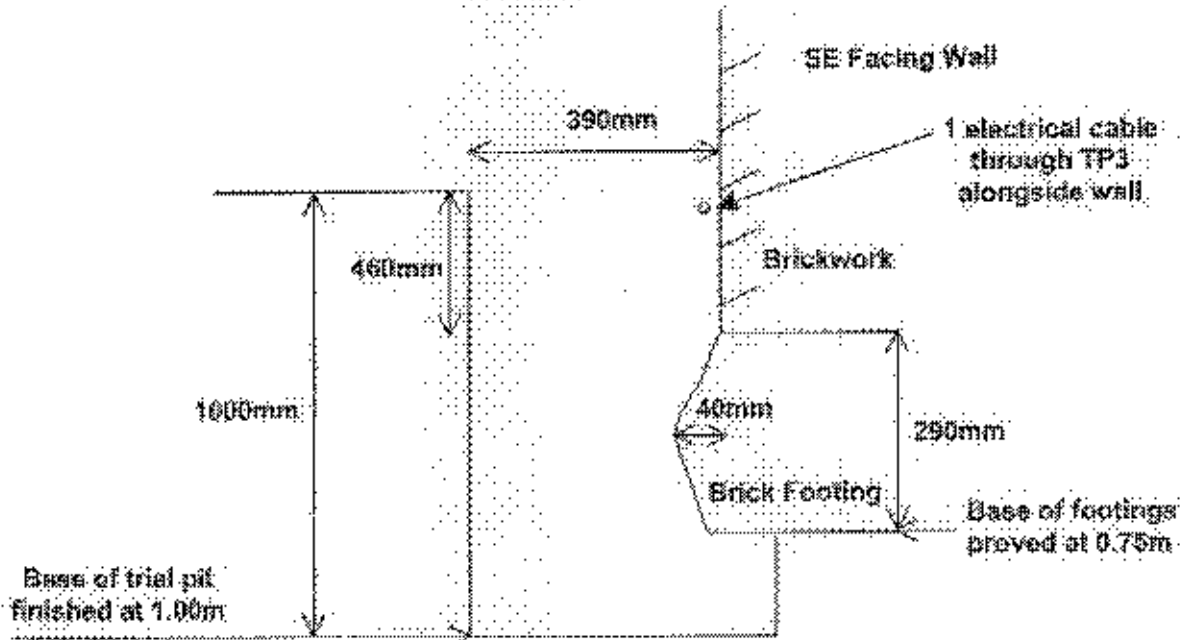
Scale: 1:25  
 Logged by: FSW  
 Figure: AS

# Trial Pit 3 (TP3)

## Plan View



## Side View



Site: Ackerman Glass House

Client: Jane Wernick Associates Limited

National Grid Reference: N/A

Scale: N/A

**STATS**

Trial Pit Drawing

Job No: 34961

Fig No: A7