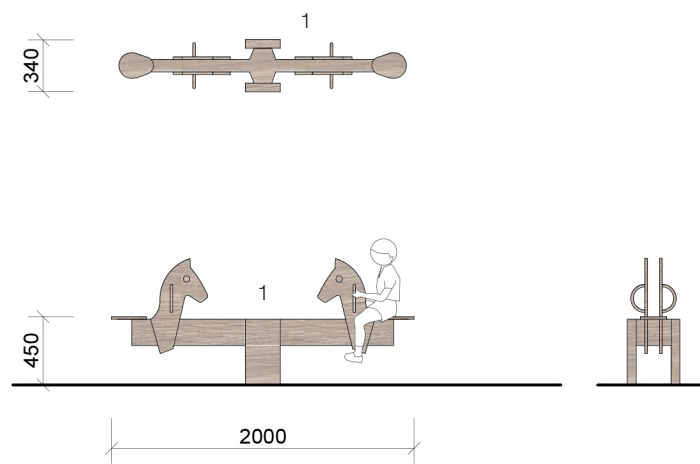


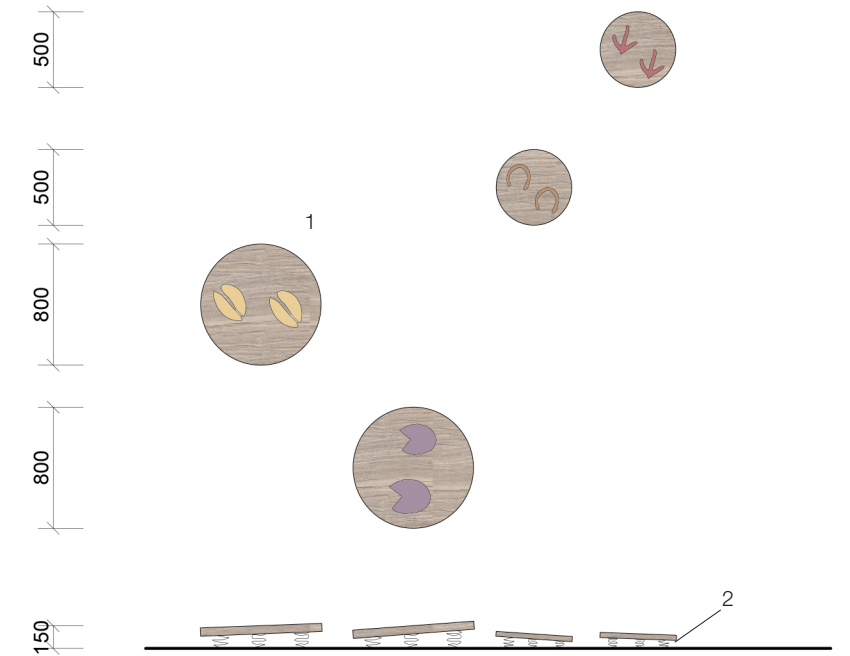
CHILD-SIZE PICNIC TABLE

- 1 - Wooden picnic table
- 2 - Carved plates, cups and cooking equipment for pretend play



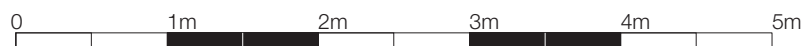
SADDLE SEE-SAW

- 1 - Wooden see-saw with carved features to resemble horses



WOBBLE BOARDS

- 1 - Wobble boards with carved animal footprints on the surface
- 2 - Springs



Rev	Date	Initials	Description
A	09.08.16	VB	Update
-	01.03.17	VB	Update

J & L GIBBONS
 LANDSCAPE ARCHITECTURE
 URBAN DESIGN
 19 SWAN YARD,
 LONDON N1 1SD
 T: 020 7226 1345

The information in this drawing is copyright of J & L Gibbons LLP
 Scaling from this drawing for planning purposes only.
 All dimensions are to be verified on site prior to construction.
 J & L Gibbons LLP to be informed of any variation between site conditions and dimensions.

Project:
 MARBLE HILL REVIVED
 Date:
 16_02_2017
 Scale:
 1:50 @ A3
 Status:
 Planning
 Drawn:
 SD
 Checked:
 ND
 Approved:
 ND

Drawing title:
 PLAY AREA
 Play equipment 1
 Drawing number:
 581_PL_L_15

Rev:

A