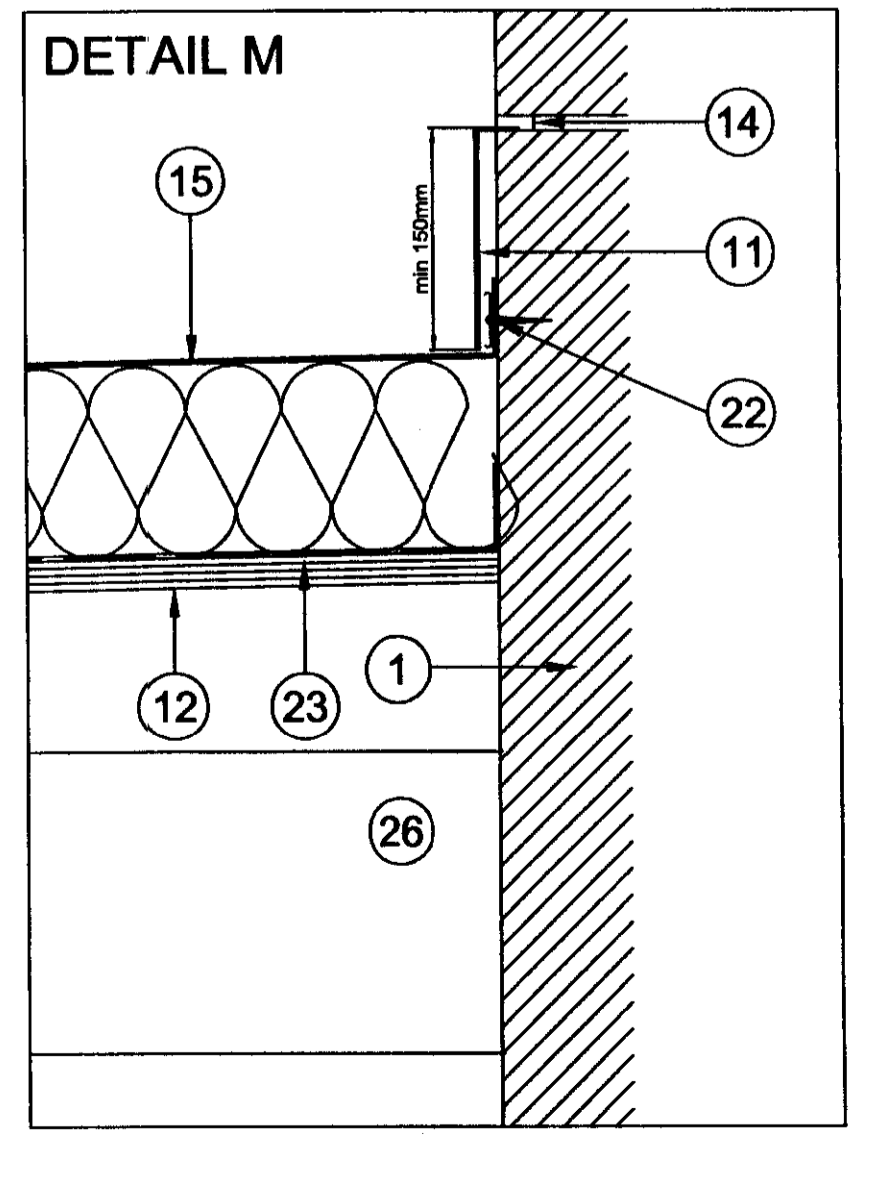
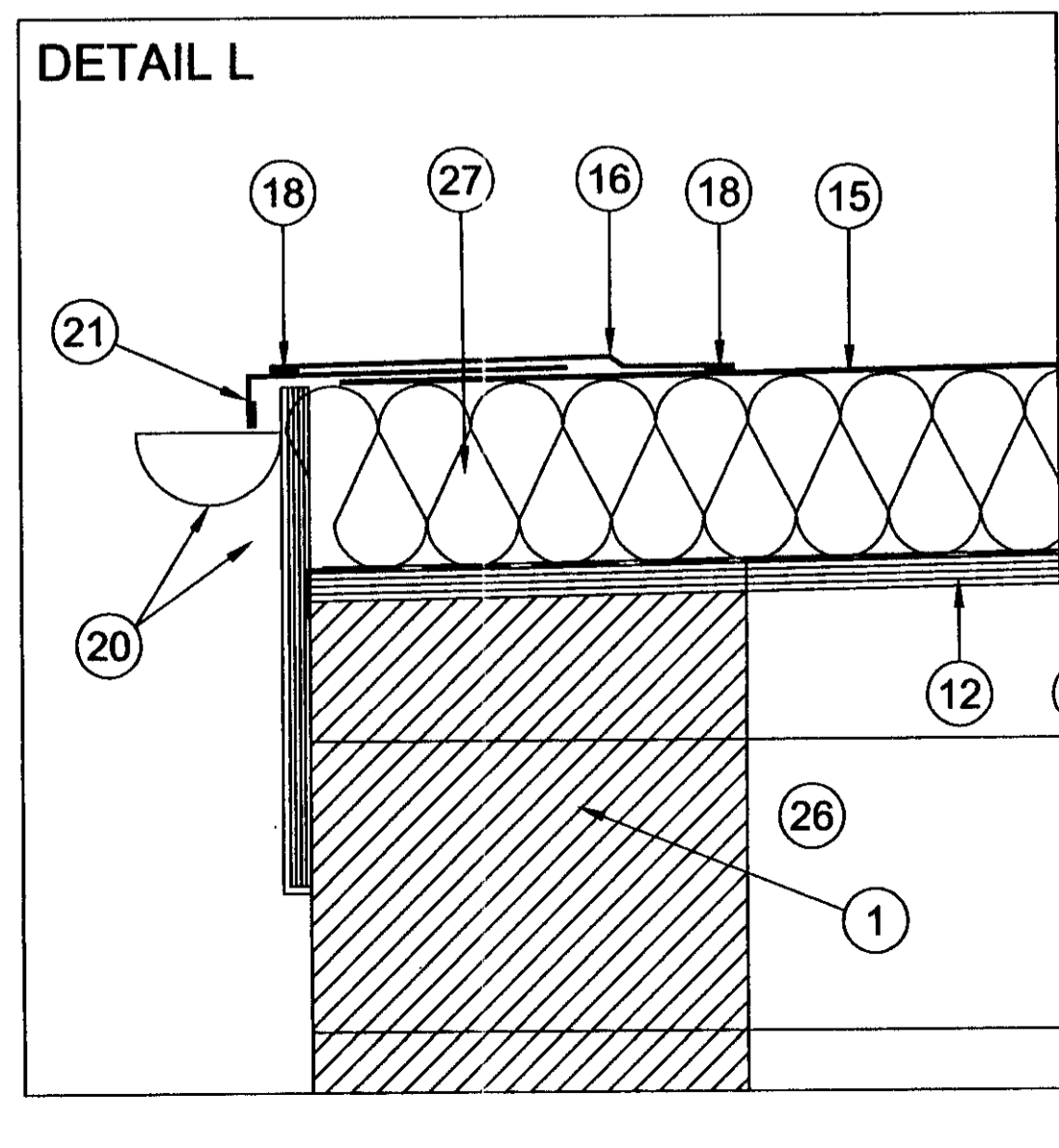
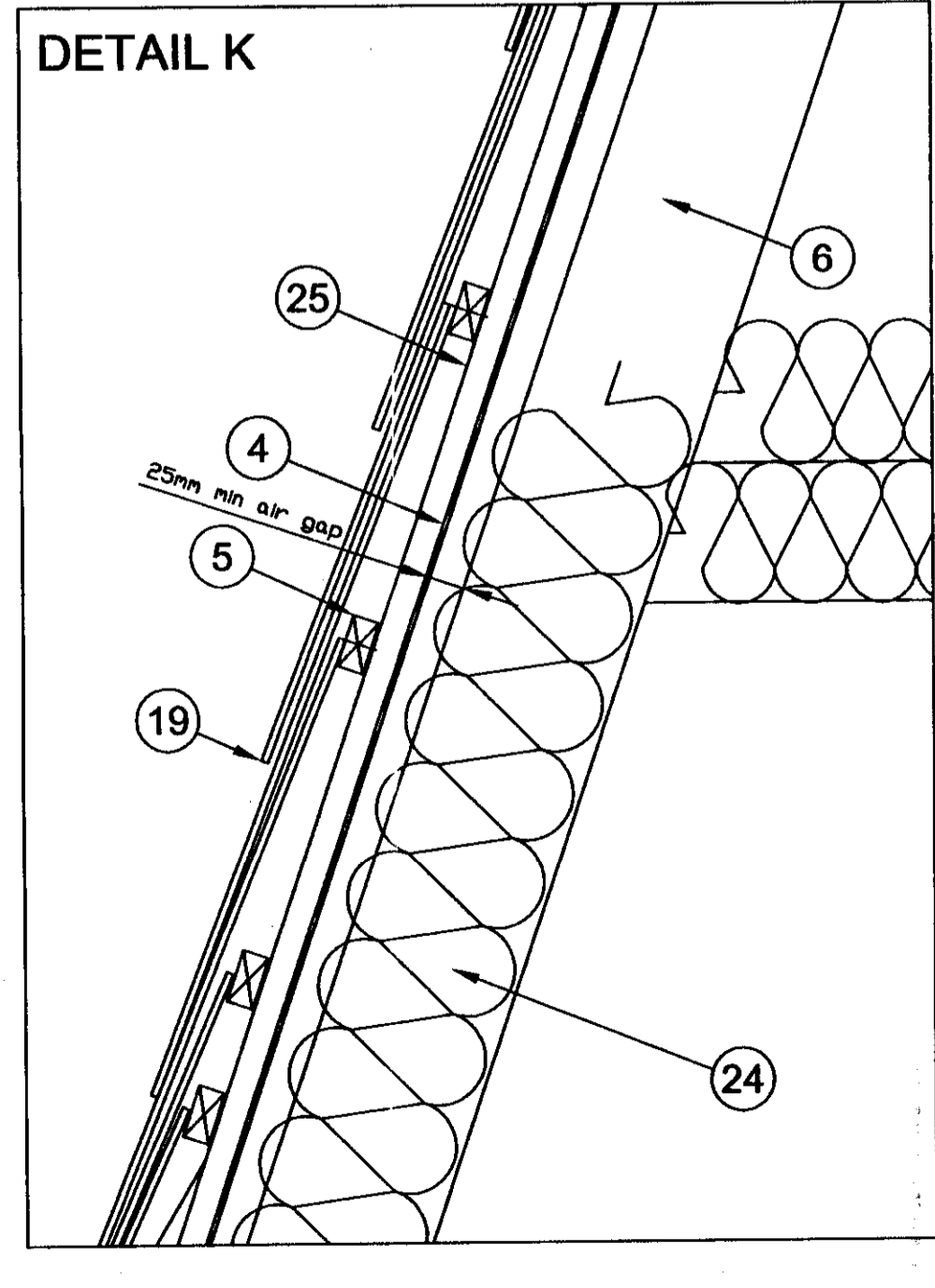
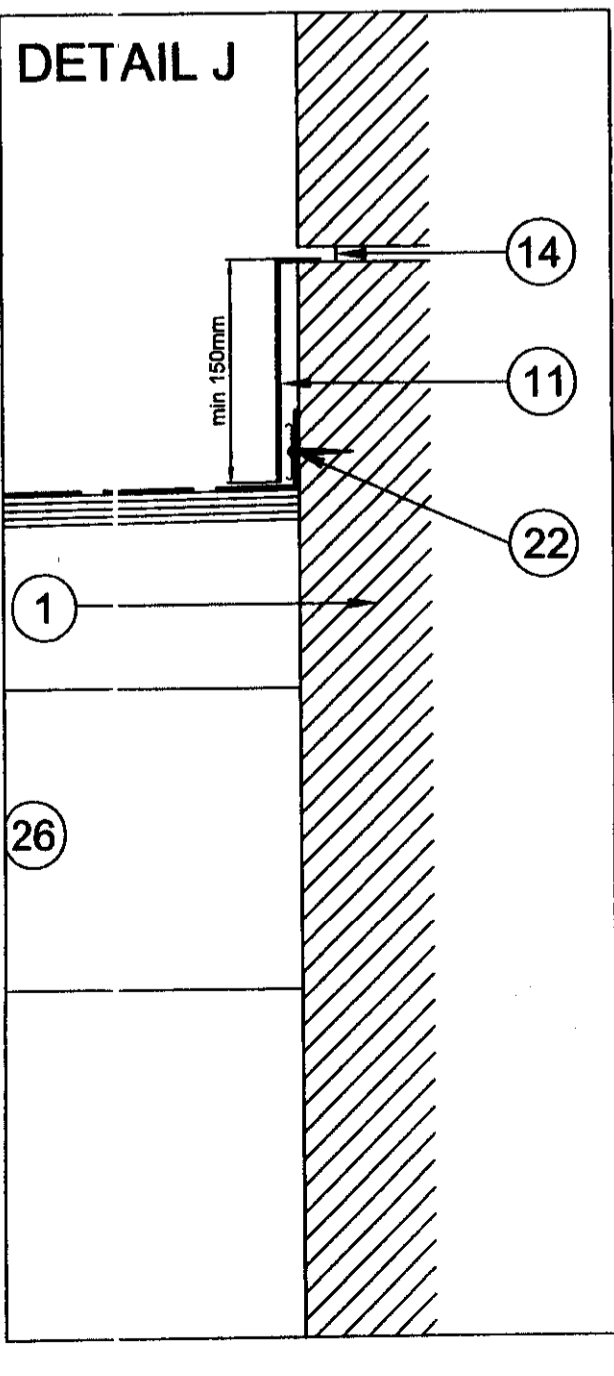
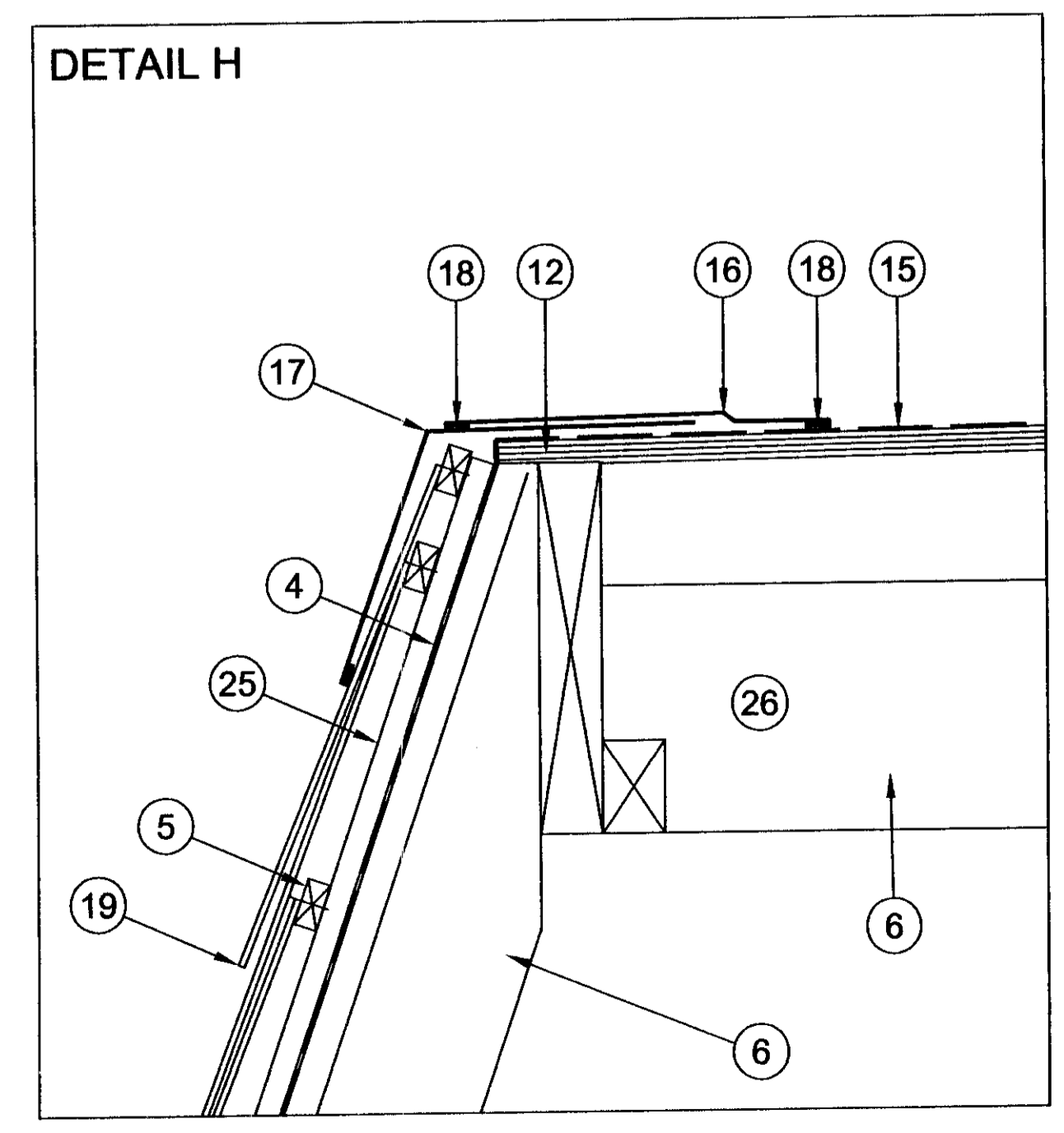
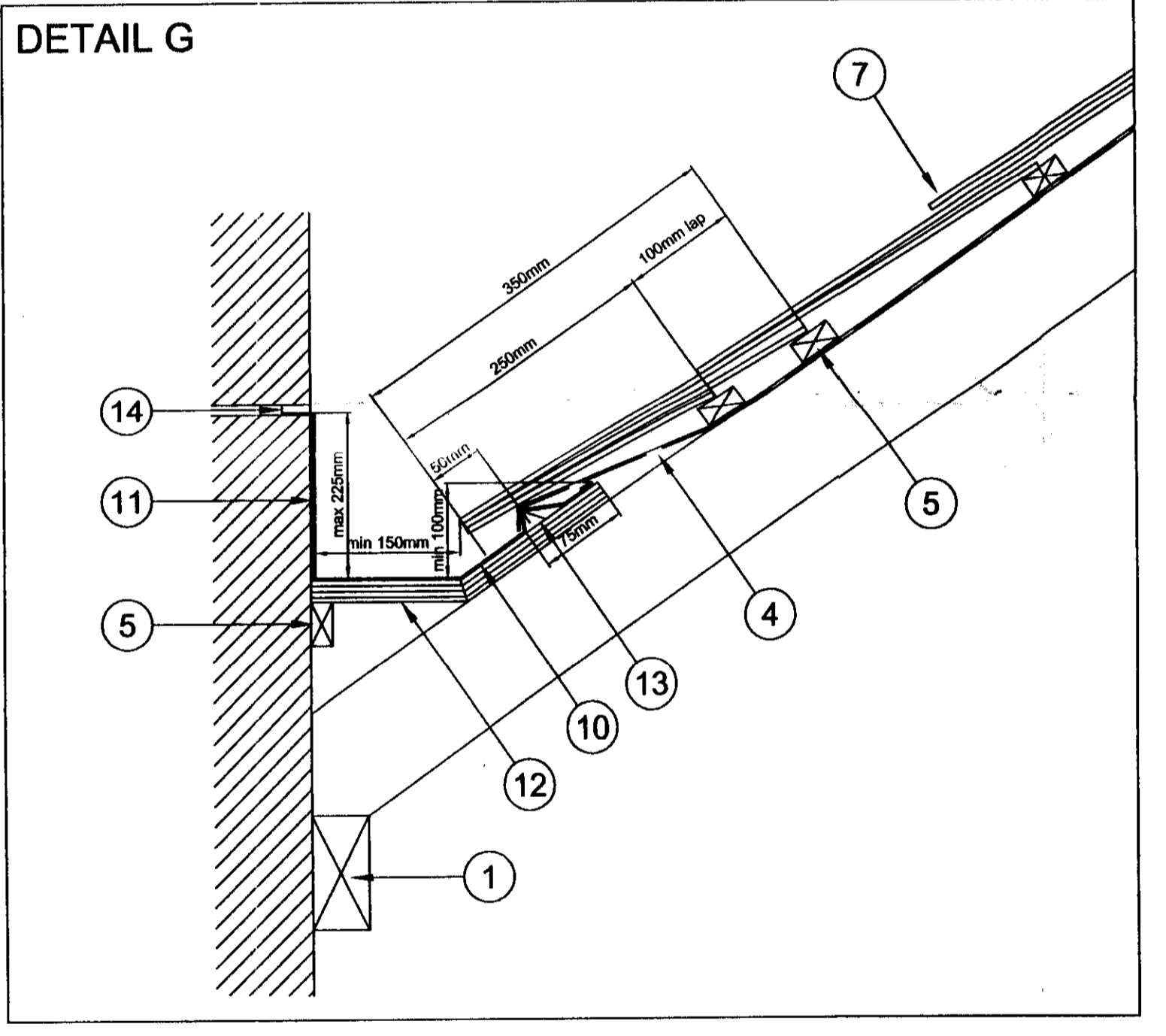
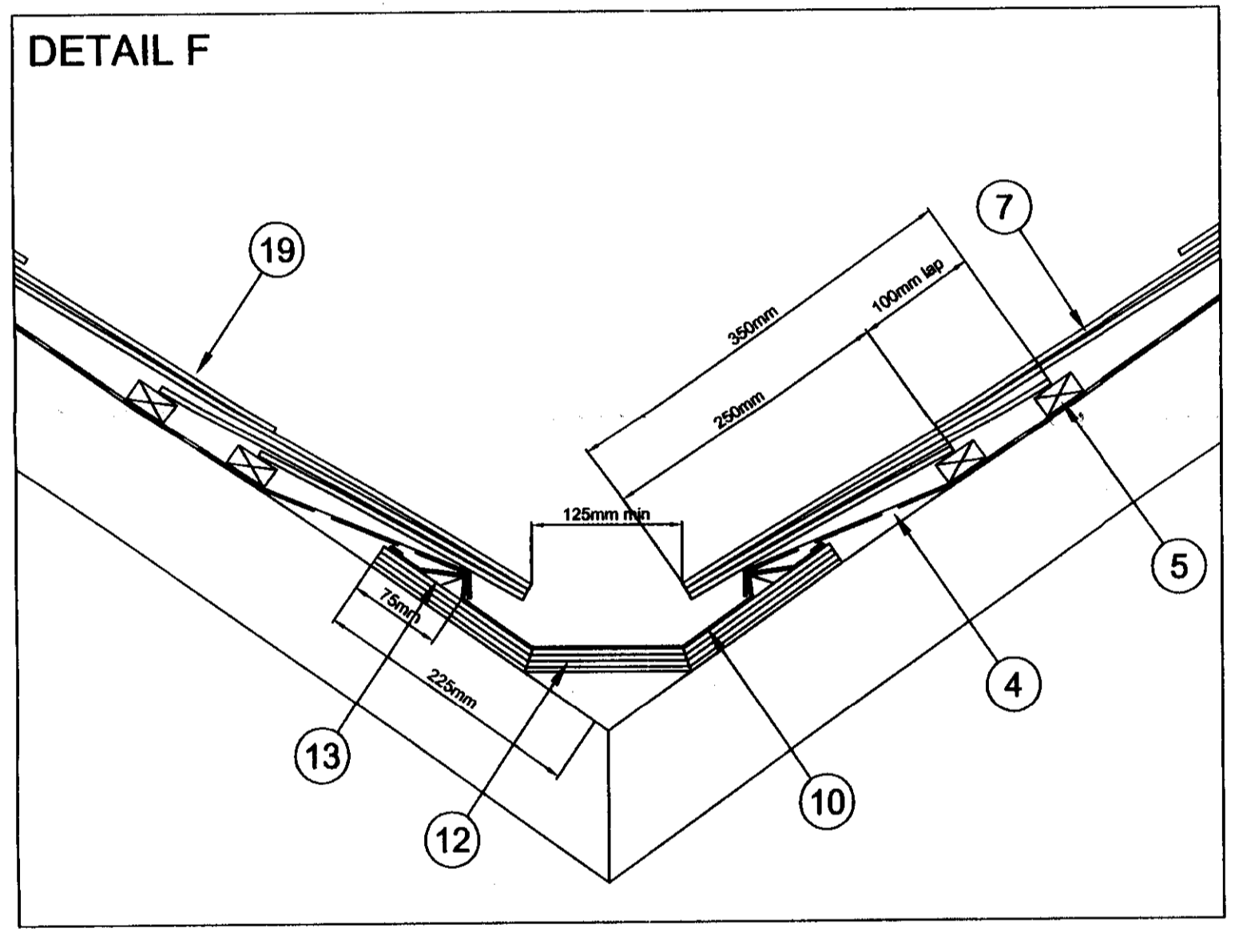
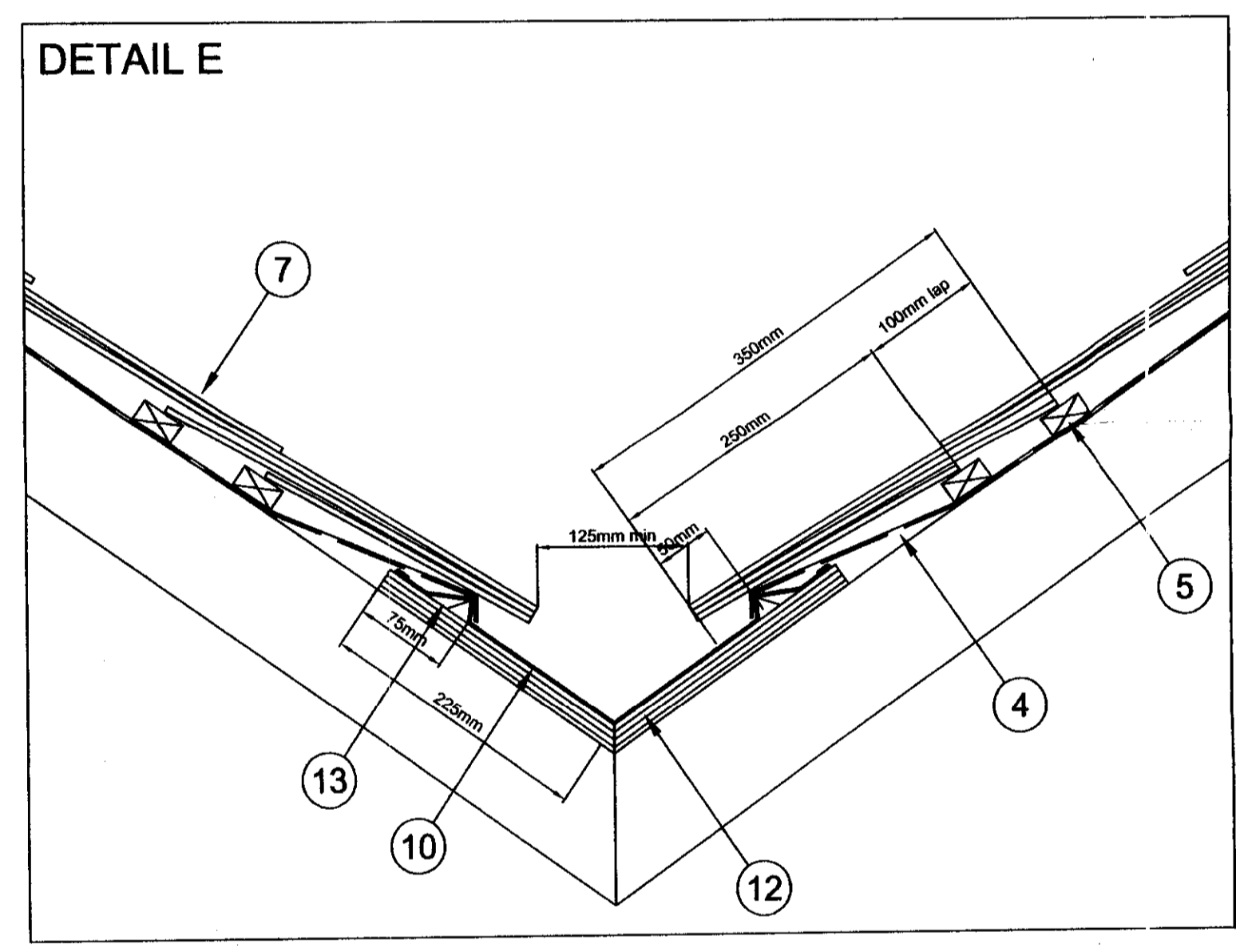
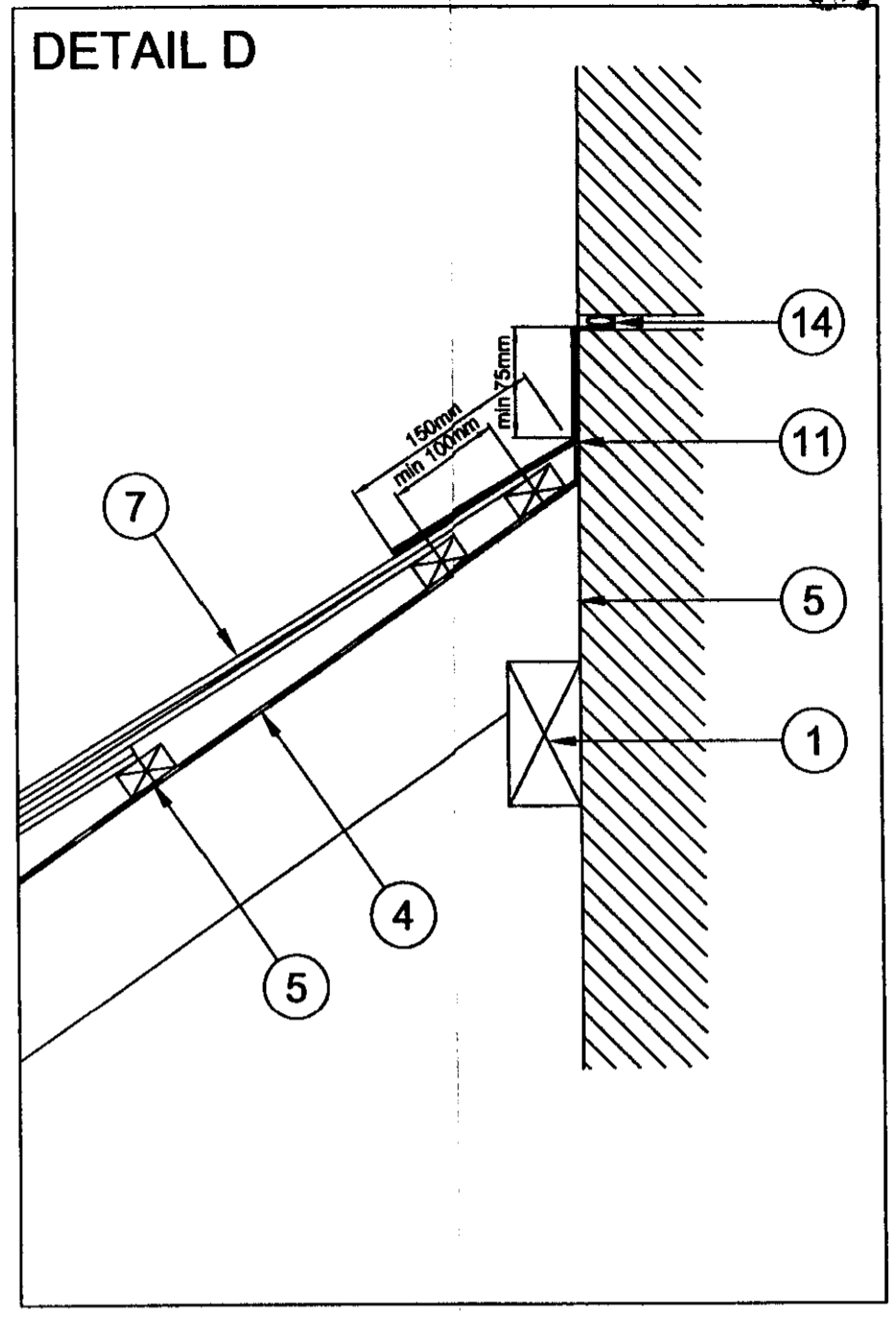
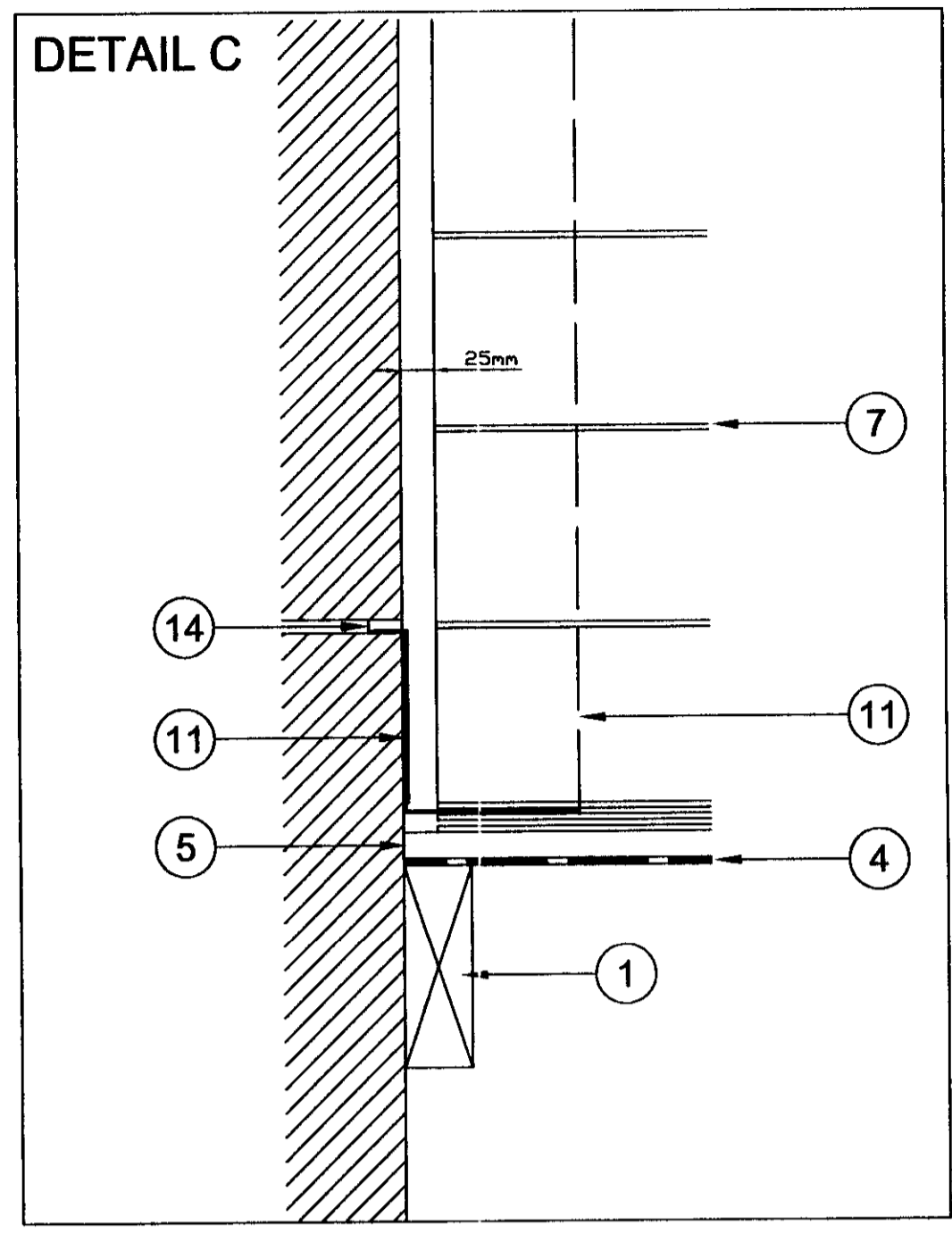
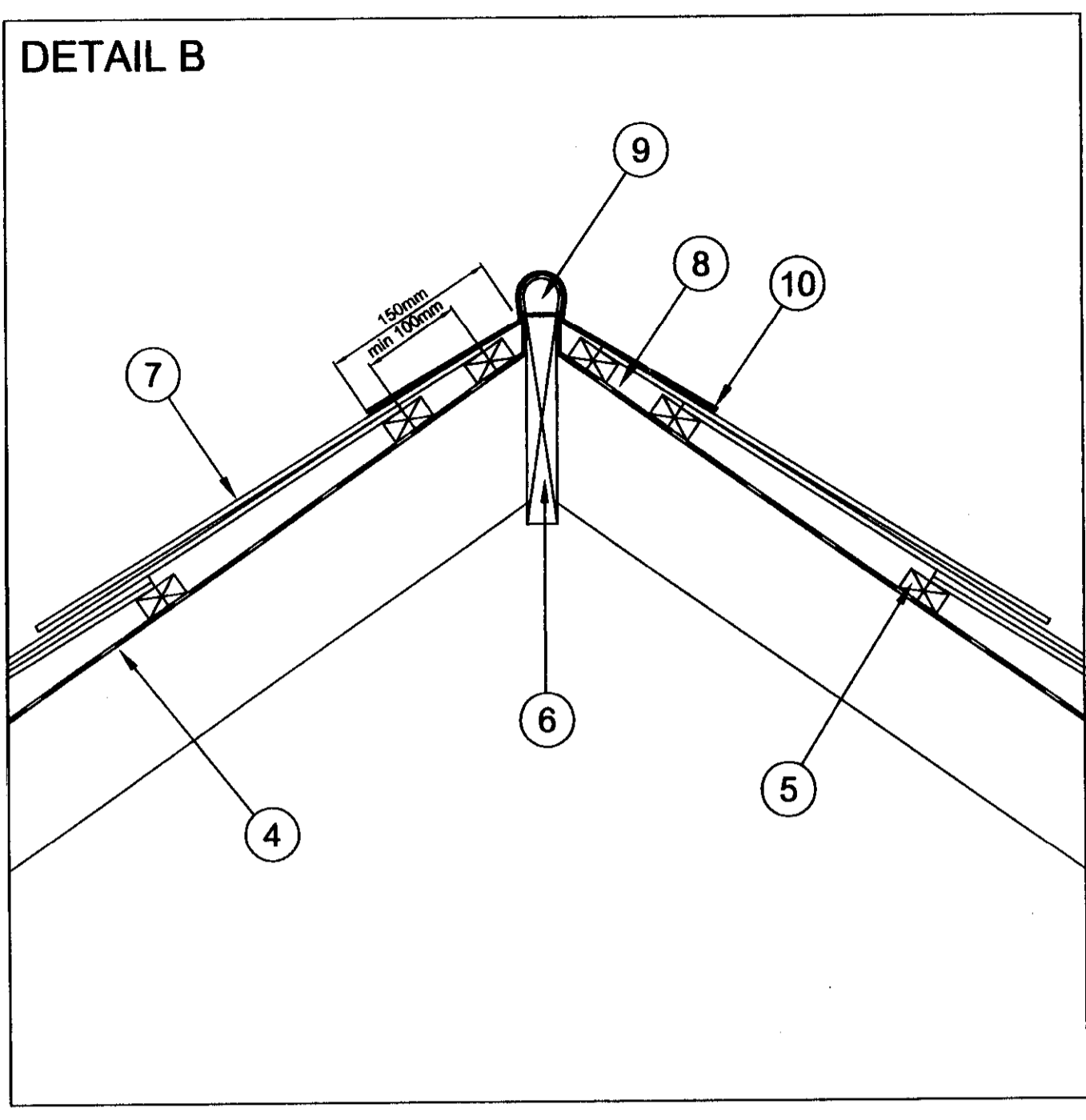
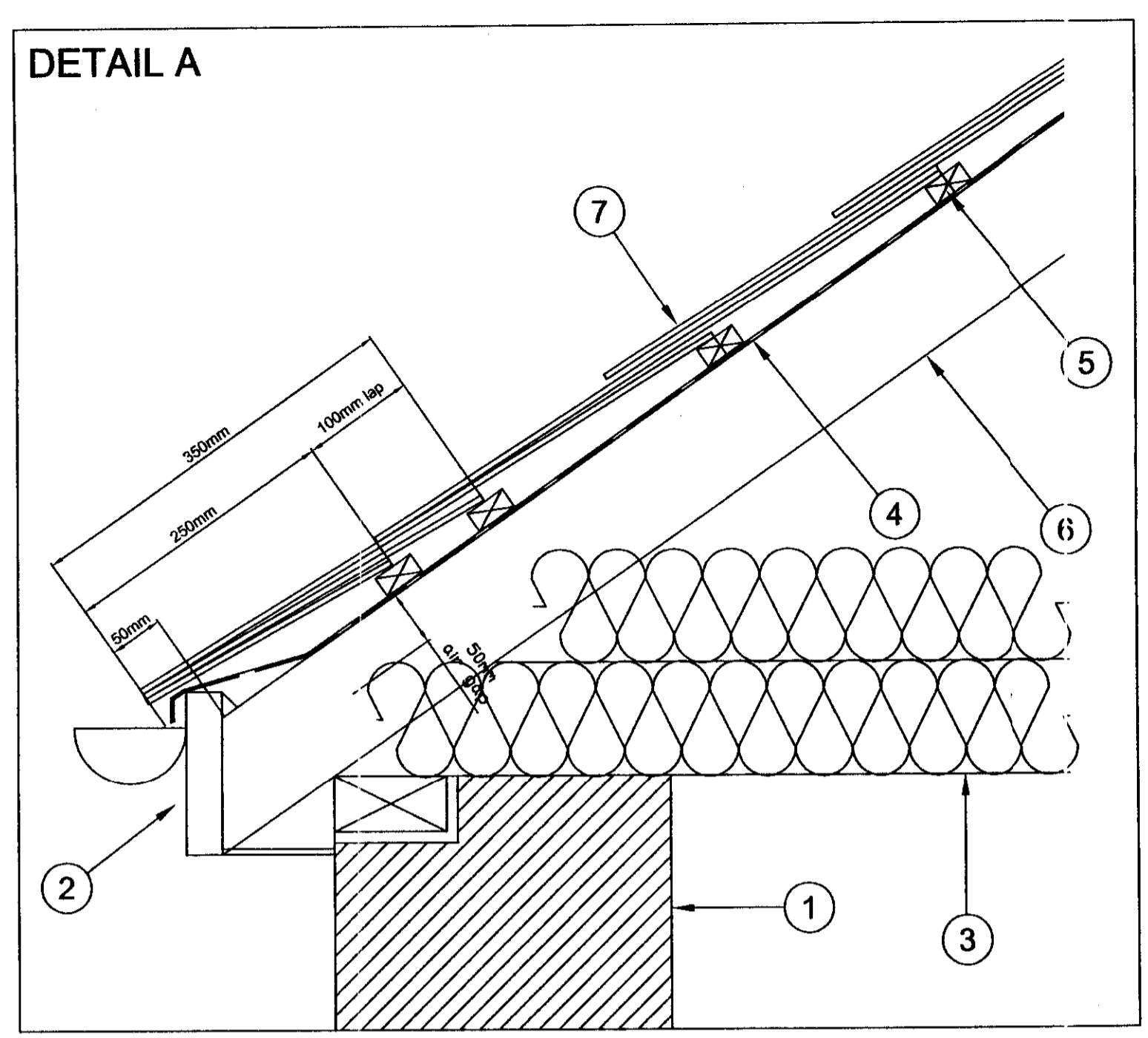


06/3:57/EU

RECEIVED  
20 OCT 2006  
PLANNING



- NOTES
- EXISTING STRUCTURE
  - EXISTING GUTTER, FACIA AND SOFFIT TO REMAIN.
  - KNAUF 100mm LOFT ROLL INSULATION BETWEEN JOISTS, 170mm LOFT ROLL INSULATION LAYED CROSS OVER.
  - BREATHABLE ROOFING FELT.
  - 32x25mm TANALISED ROOFING BATTENS, SECURELY FIXED TO EXISTING STRUCTURE.
  - EXISTING ROOF STRUCTURE TO REMAIN.
  - ETERNIT RIVENDALE SLATES.
  - FELT DRESSED OVER RIDGE BOARD AND LAPPED MIN 150mm.
  - EXISTING RIDGE ROLL TO BE REFIXED TO RIDGE BOARD ON COMPLETION OF LAYING NEW FELT.
  - VALLEY GUTTER / GUTTER LINING / LEAD RIDGE TO BE CODE 5 LEAD.
  - FLASHINGS AND SOAKERS TO BE CODE 4 LEAD.
  - 19mm WBP PLYWOOD.
  - VALLEY FILLET SAME DEPTH AS BATTEN.
  - LEAD WEDGE AND REPOINT MORTAR JOINT, MIN 25mm DEEP.
  - SARNAFILL ROOF FINISH.
  - SARNAFILL COVER STRIP.
  - SARNA METAL.
  - HOT AIR WELD.
  - EXISTING ROOF FINISH RE-LAID.
  - NEW GUTTER & FACIA TO MATCH EXISTING.
  - SARNA METAL ROOF TRIM.
  - SARNAFILL PEEL STOP.
  - VAPOUR CONTROL LAYER.
  - KNAUF INSULATION. 140mm THERMAL ROLL 35.
  - CROSS BATTEN.
  - REFER TO STRUCTURAL ENGINEERS DETAILS FOR NEW ROOF STRUCTURE.
  - 150mm SARNA THERM G INSULATION.
- NOTE - ALL DETAILS TO BE INSTALLED IN ACCORDANCE WITH MANUFACTURERS RECOMMENDATIONS.

THAMES VALLEY REGION  
05 OCT 2006

0	22.09.06	ISSUED FOR DPP	CL	DL	DL
REV	REVISION DATE	PURPOSE OF REVISION	DRAWN	CHECKED	APPROVED

**JACOBS**  
JACOBS HOUSE, 427 LONDON ROAD, READING, RG6 1BL, ENGLAND  
TEL: +44(0)118 943 3000 FAX: +44(0)118 949 1054  
WEBSITE: WWW.JACOBS.COM

**NOMS Property**

JACOBS SECURITY IDENTIFICATION  
DATE: 03.10.06  
REF NO. 8405/012...  
PROJECT: HMP Latchmere House Admin Reroof

DRAWING TITLE: Proposed Roof Details Sheet 1

DRAWING NUMBER: RE-J24108-A2/1.13/116 REV 0

BPRN No. 561/03/8405  
DRAWN: 22 Sep 2006 DATE: 22 Sep 2006 SCALES: 1:5 @ A1

DO NOT SCALE OFF THIS DRAWING.  
0mm 10mm 100mm ORIGINAL SCALE 1:1

THIS DRAWING IS NOT TO BE USED IN WHOLE OR PART OTHER THAN FOR THE INTENDED PURPOSE AND PROJECT AS DEFINED ON THIS DRAWING. REFER TO THE CONTRACT FOR FULL TERMS AND CONDITIONS.