

FAIRHURST

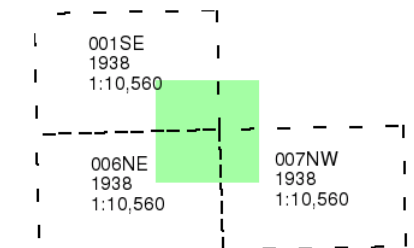
Surrey

Published 1938

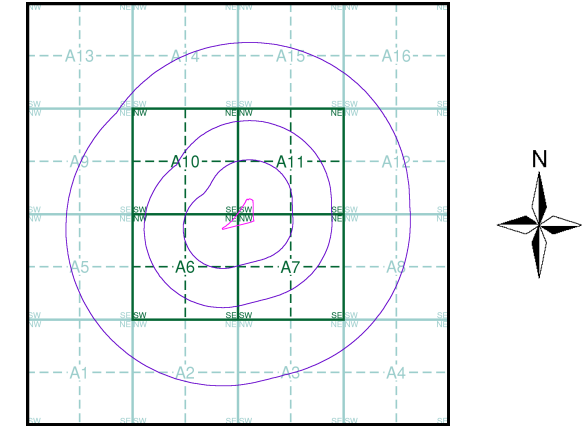
Source map scale - 1:10,560

The historical maps shown were reproduced from maps predominantly held at the scale adopted for England, Wales and Scotland in the 1840's. In 1854 the 1:2,500 scale was adopted for mapping urban areas; these maps were used to update the 1:10,560 maps. The published date given therefore is often some years later than the surveyed date. Before 1938, all OS maps were based on the Cassini Projection, with independent surveys of a single county or group of counties, giving rise to significant inaccuracies in outlying areas. In the late 1940's, a Provisional Edition was produced, which updated the 1:10,560 mapping from a number of sources. The maps appear unfinished - with all military camps and other strategic sites removed. These maps were initially overprinted with the National Grid. In 1970, the first 1:10,000 maps were produced using the Transverse Mercator Projection. The revision process continued until recently, with new editions appearing every 10 years or so for urban areas.

Map Name(s) and Date(s)



Historical Map - Slice A



Order Details

Order Number: 142584674_1_1
 Customer Ref: Homebase, Richmond
 National Grid Reference: 518890, 175430
 Slice: A
 Site Area (Ha): 1.58
 Search Buffer (m): 1000

Site Details

Homebase Ltd, 84, Manor Road, RICHMOND, TW9 1YB

Landmark
 INFORMATION GROUP

Tel: 0844 844 9952
 Fax: 0844 844 9951
 Web: www.envirocheck.co.uk

FAIRHURST

Middlesex

Published 1938

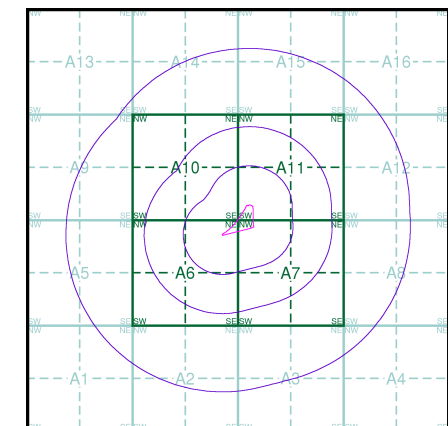
Source map scale - 1:10,560

The historical maps shown were reproduced from maps predominantly held at the scale adopted for England, Wales and Scotland in the 1840's. In 1854 the 1:2,500 scale was adopted for mapping urban areas; these maps were used to update the 1:10,560 maps. The published date given therefore is often some years later than the surveyed date. Before 1938, all OS maps were based on the Cassini Projection, with independent surveys of a single county or group of counties, giving rise to significant inaccuracies in outlying areas. In the late 1940's, a Provisional Edition was produced, which updated the 1:10,560 mapping from a number of sources. The maps appear unfinished - with all military camps and other strategic sites removed. These maps were initially overprinted with the National Grid. In 1970, the first 1:10,000 maps were produced using the Transverse Mercator Projection. The revision process continued until recently, with new editions appearing every 10 years or so for urban areas.

Map Name(s) and Date(s)

020NE	1938	1:10,560
020SE	1938	1:10,560

Historical Map - Slice A



Order Details

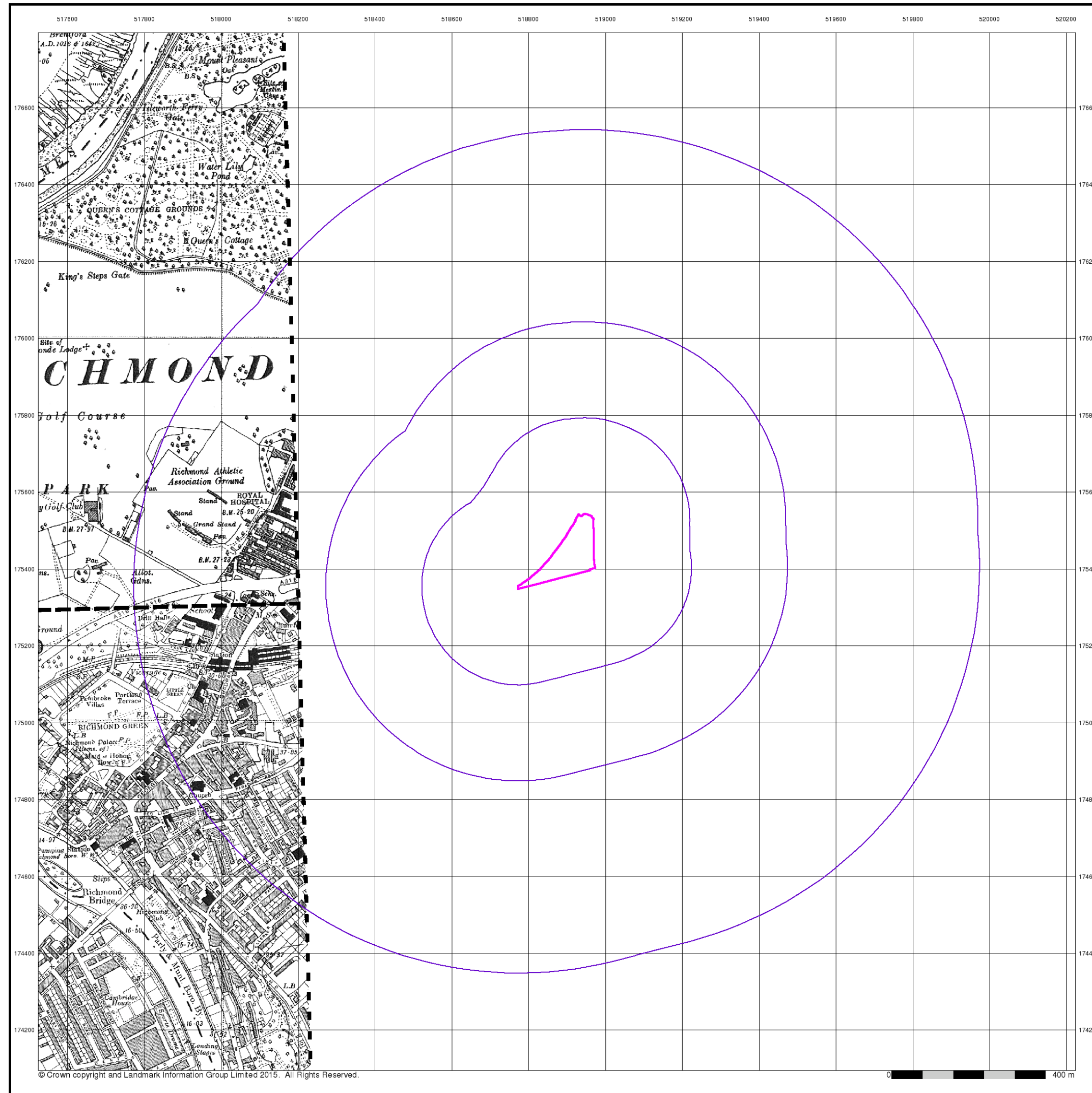
Order Number: 142584674_1_1
 Customer Ref: Homebase, Richmond
 National Grid Reference: 518890, 175430
 Slice: A
 Site Area (Ha): 1.58
 Search Buffer (m): 1000

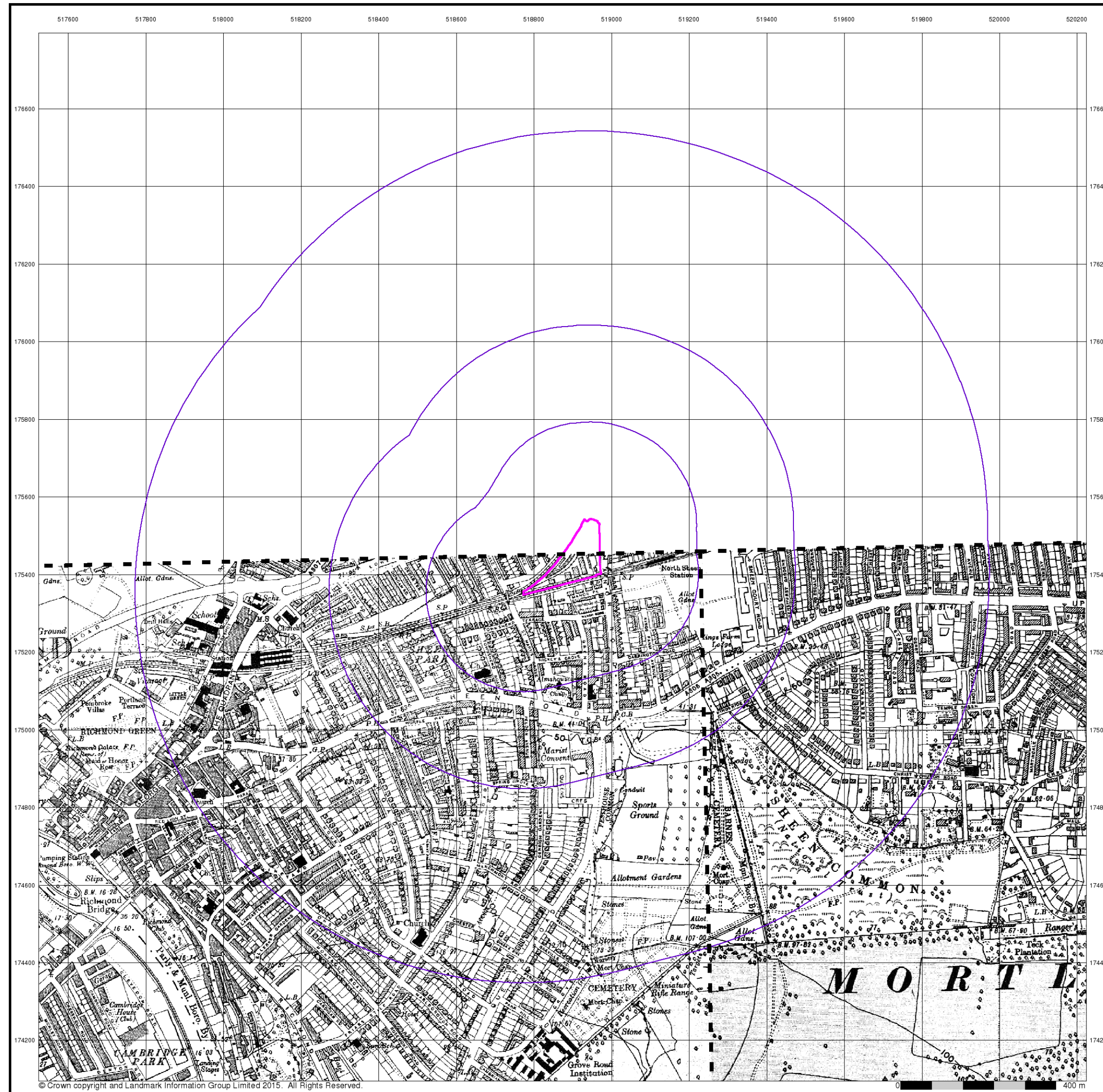
Site Details

Homebase Ltd, 84, Manor Road, RICHMOND, TW9 1YB

Landmark
 INFORMATION GROUP

Tel: 0844 844 9952
 Fax: 0844 844 9951
 Web: www.envirocheck.co.uk





FAIRHURST

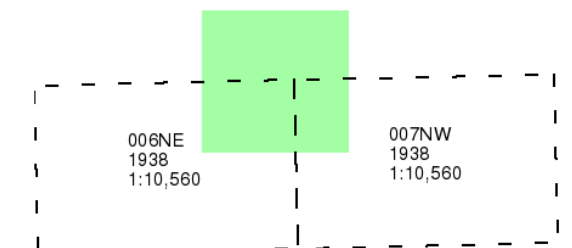
Surrey

Published 1938

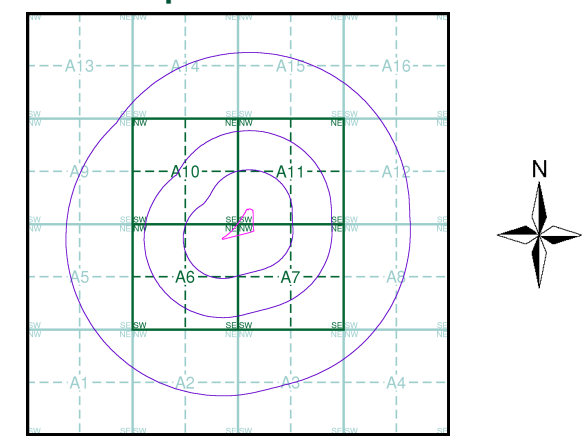
Source map scale - 1:10,560

The historical maps shown were reproduced from maps predominantly held at the scale adopted for England, Wales and Scotland in the 1840's. In 1854 the 1:2,500 scale was adopted for mapping urban areas; these maps were used to update the 1:10,560 maps. The published date given therefore is often some years later than the surveyed date. Before 1938, all OS maps were based on the Cassini Projection, with independent surveys of a single county or group of counties, giving rise to significant inaccuracies in outlying areas. In the late 1940's, a Provisional Edition was produced, which updated the 1:10,560 mapping from a number of sources. The maps appear unfinished - with all military camps and other strategic sites removed. These maps were initially overprinted with the National Grid. In 1970, the first 1:10,000 maps were produced using the Transverse Mercator Projection. The revision process continued until recently, with new editions appearing every 10 years or so for urban areas.

Map Name(s) and Date(s)



Historical Map - Slice A



Order Details

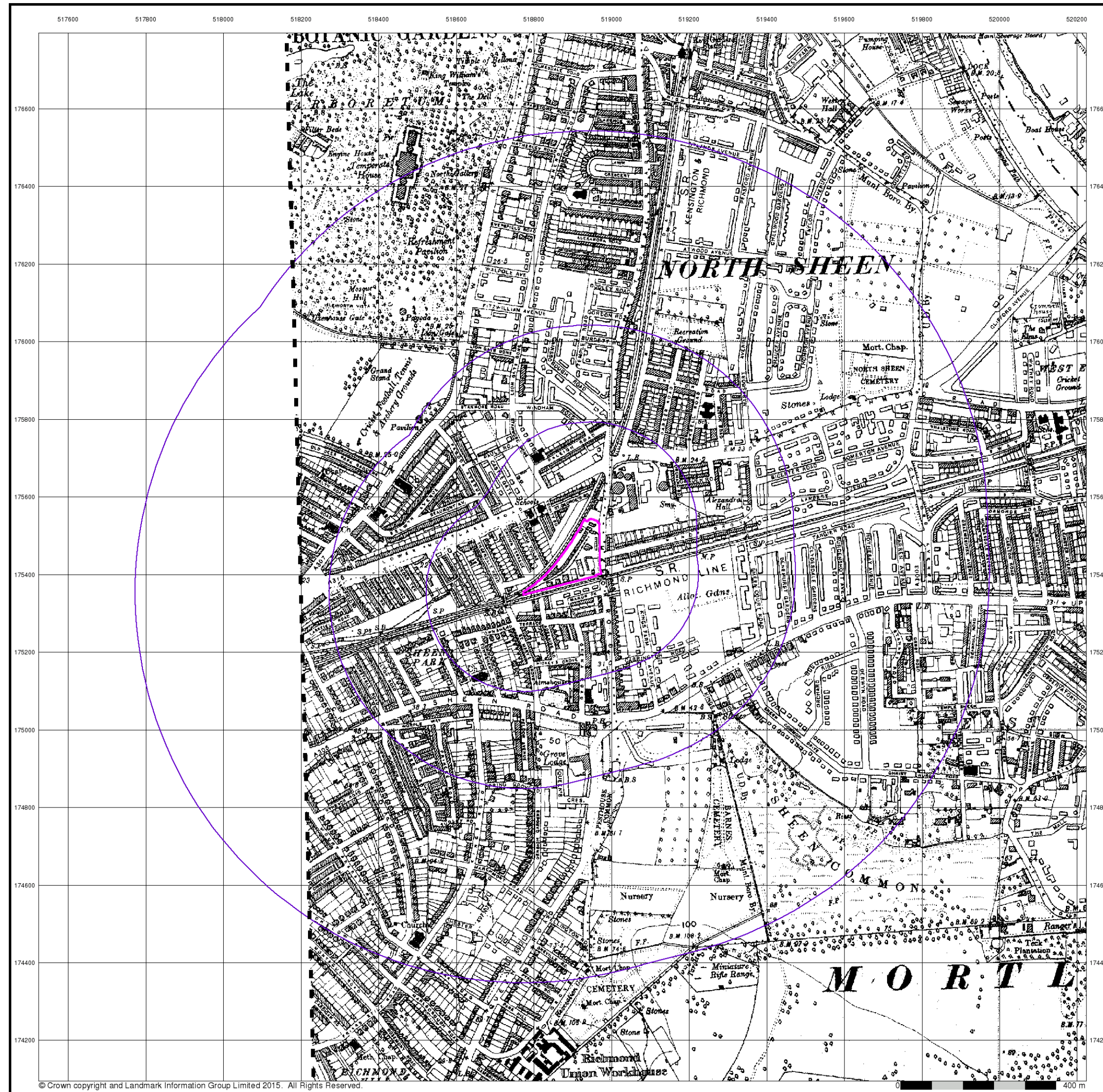
Order Number: 142584674_1_1
 Customer Ref: Homebase, Richmond
 National Grid Reference: 518890, 175430
 Slice: A
 Site Area (Ha): 1.58
 Search Buffer (m): 1000

Site Details

Homebase Ltd, 84, Manor Road, RICHMOND, TW9 1YB

Landmark
 INFORMATION GROUP

Tel: 0844 844 9952
 Fax: 0844 844 9951
 Web: www.envirocheck.co.uk



FAIRHURST

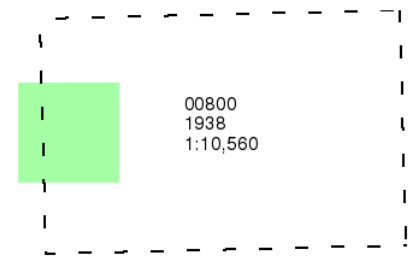
London

Published 1938

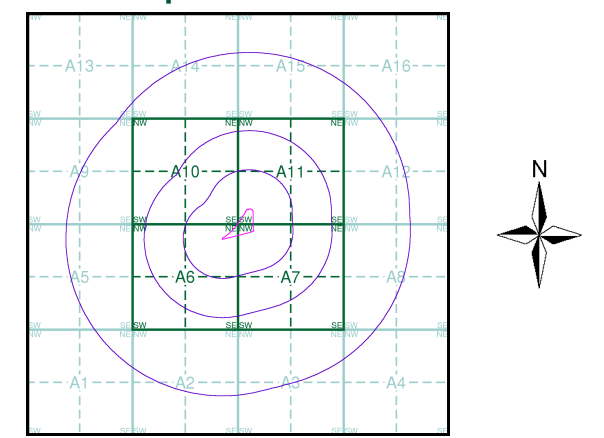
Source map scale - 1:10,560

The historical maps shown were reproduced from maps predominantly held at the scale adopted for England, Wales and Scotland in the 1840's. In 1854 the 1:2,500 scale was adopted for mapping urban areas; these maps were used to update the 1:10,560 maps. The published date given therefore is often some years later than the surveyed date. Before 1938, all OS maps were based on the Cassini Projection, with independent surveys of a single county or group of counties, giving rise to significant inaccuracies in outlying areas. In the late 1940's, a Provisional Edition was produced, which updated the 1:10,560 mapping from a number of sources. The maps appear unfinished - with all military camps and other strategic sites removed. These maps were initially overprinted with the National Grid. In 1970, the first 1:10,000 maps were produced using the Transverse Mercator Projection. The revision process continued until recently, with new editions appearing every 10 years or so for urban areas.

Map Name(s) and Date(s)



Historical Map - Slice A



Order Details

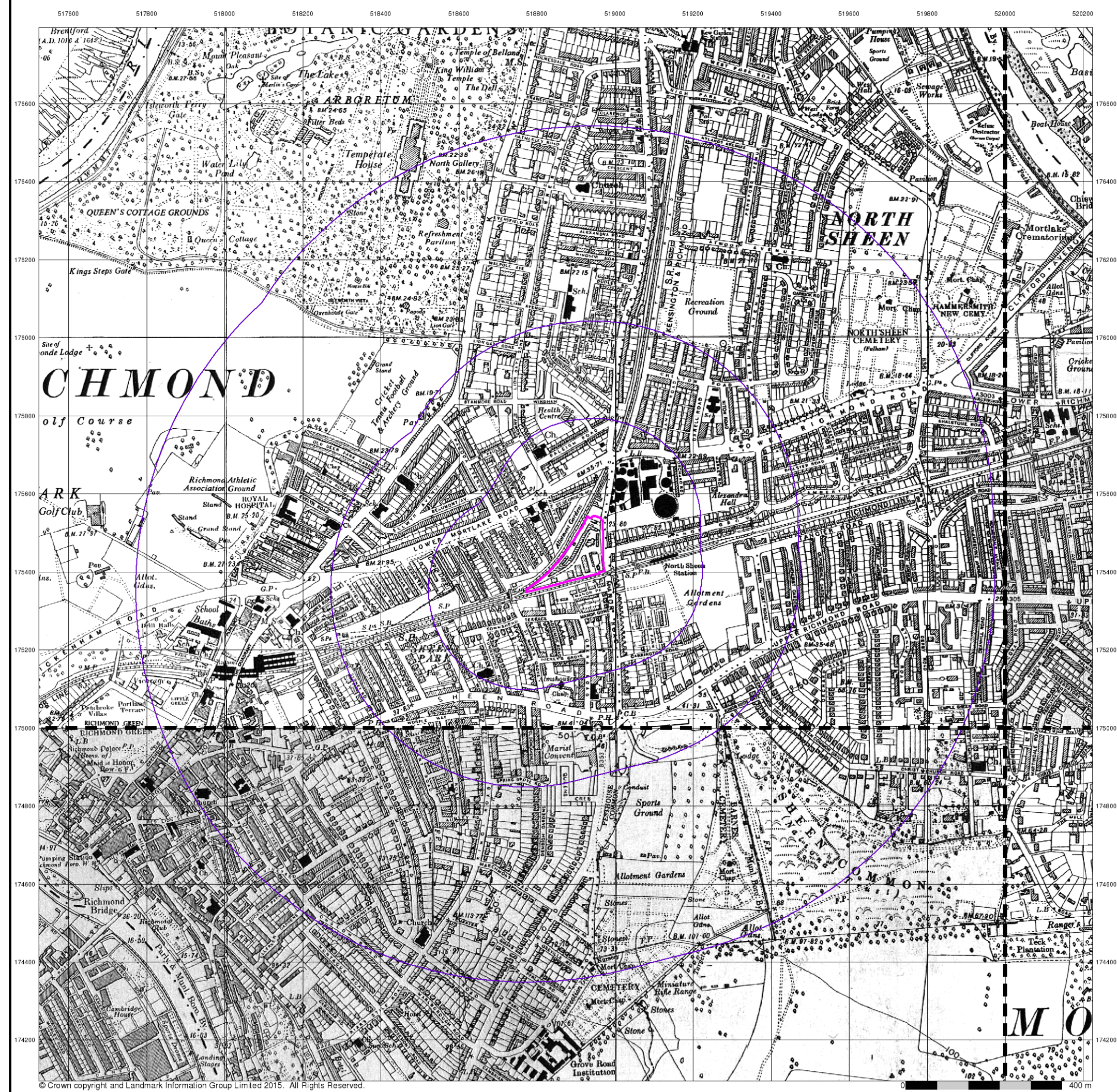
Order Number: 142584674_1_1
 Customer Ref: Homebase, Richmond
 National Grid Reference: 518890, 175430
 Slice: A
 Site Area (Ha): 1.58
 Search Buffer (m): 1000

Site Details

Homebase Ltd, 84, Manor Road, RICHMOND, TW9 1YB

Landmark
 INFORMATION GROUP

Tel: 0844 844 9952
 Fax: 0844 844 9951
 Web: www.envirocheck.co.uk



FAIRHURST

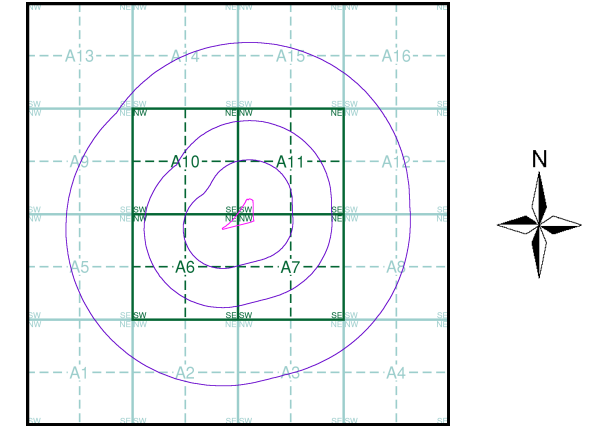
Ordnance Survey Plan
Published 1940 - 1950
Source map scale - 1:10,000

The historical maps shown were reproduced from maps predominantly held at the scale adopted for England, Wales and Scotland in the 1840's. In 1854 the 1:2,500 scale was adopted for mapping urban areas; these maps were used to update the 1:10,560 maps. The published date given therefore is often some years later than the surveyed date. Before 1938, all OS maps were based on the Cassini Projection, with independent surveys of a single county or group of counties, giving rise to significant inaccuracies in outlying areas. In the late 1940's, a Provisional Edition was produced, which updated the 1:10,560 mapping from a number of sources. The maps appear unfinished - with all military camps and other strategic sites removed. These maps were initially overprinted with the National Grid. In 1970, the first 1:10,000 maps were produced using the Transverse Mercator Projection. The revision process continued until recently, with new editions appearing every 10 years or so for urban areas.

Map Name(s) and Date(s)

TQ17NE	TQ27NW
1940	1940
1:10,560	1:10,560
TQ17SE	TQ27SW
1940	1950
1:10,560	1:10,560

Historical Map - Slice A



Order Details

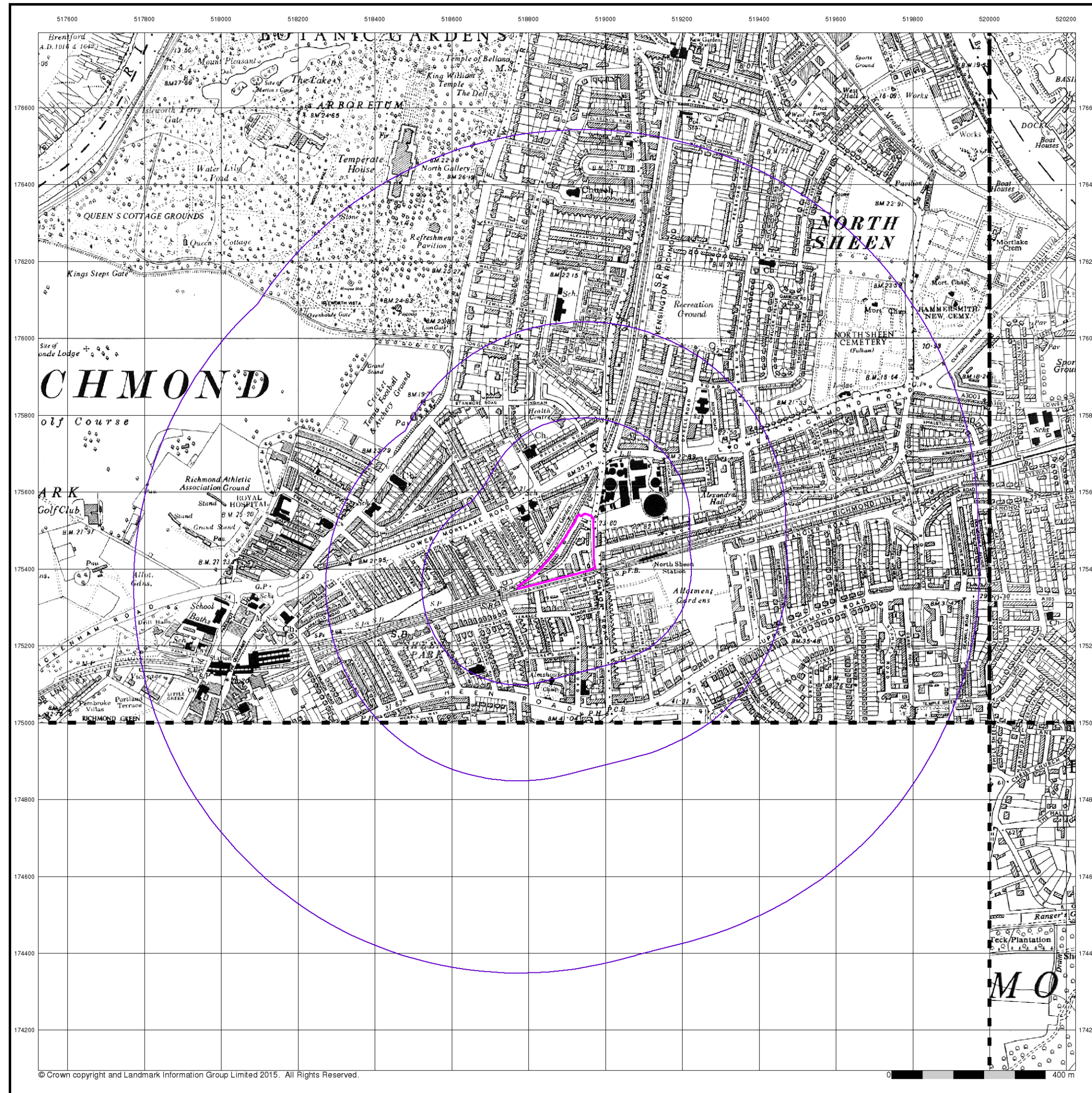
Order Number: 142584674_1_1
 Customer Ref: Homebase, Richmond
 National Grid Reference: 518890, 175430
 Slice: A
 Site Area (Ha): 1.58
 Search Buffer (m): 1000

Site Details

Homebase Ltd, 84, Manor Road, RICHMOND, TW9 1YB

Landmark
 INFORMATION GROUP

Tel: 0844 844 9952
 Fax: 0844 844 9951
 Web: www.envirocheck.co.uk



FAIRHURST

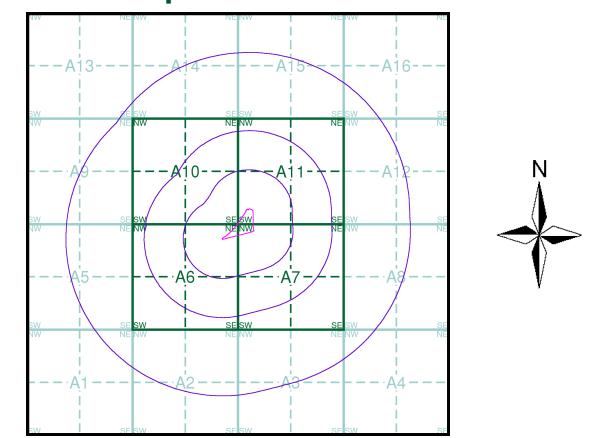
Ordnance Survey Plan
Published 1940 - 1958
Source map scale - 1:10,000

The historical maps shown were reproduced from maps predominantly held at the scale adopted for England, Wales and Scotland in the 1840's. In 1854 the 1:2,500 scale was adopted for mapping urban areas; these maps were used to update the 1:10,560 maps. The published date given therefore is often some years later than the surveyed date. Before 1938, all OS maps were based on the Cassini Projection, with independent surveys of a single county or group of counties, giving rise to significant inaccuracies in outlying areas. In the late 1940's, a Provisional Edition was produced, which updated the 1:10,560 mapping from a number of sources. The maps appear unfinished - with all military camps and other strategic sites removed. These maps were initially overprinted with the National Grid. In 1970, the first 1:10,000 maps were produced using the Transverse Mercator Projection. The revision process continued until recently, with new editions appearing every 10 years or so for urban areas.

Map Name(s) and Date(s)

TQ17NE 1940 1:10,560	TQ27NW 1958 1:10,560
TQ27SW 1955 1:10,560	

Historical Map - Slice A



Order Details

Order Number: 142584674_1_1
 Customer Ref: Homebase, Richmond
 National Grid Reference: 518890, 175430
 Slice: A
 Site Area (Ha): 1.58
 Search Buffer (m): 1000

Site Details

Homebase Ltd, 84, Manor Road, RICHMOND, TW9 1YB



FAIRHURST

Historical Aerial Photography

Published 1948

Source map scale - 1:10,560

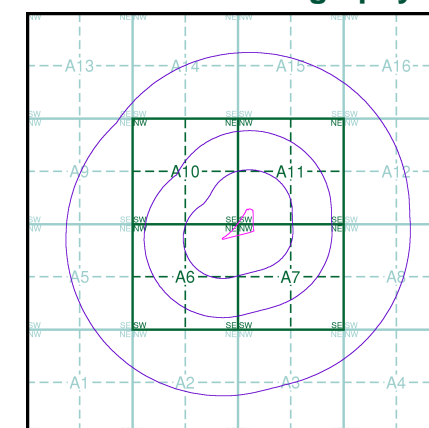
The Historical Aerial Photos were produced by the Ordnance Survey at a scale of 1:1,250 and 1:10,560 from Air Force photography. They were produced between 1944 and 1951 as an interim measure, pending preparation of conventional mapping, due to post war resource shortages. New security measures in the 1950's meant that every photograph was re-checked for potentially unsafe information with security sites replaced by fake fields or clouds. The original editions were withdrawn and only later made available after a period of fifty years although due to the accuracy of the editing, without viewing both revisions it is not easy to spot the edits. Where available Landmark have included both revisions.

© Landmark Information Group and/or Data Suppliers 2010.

Map Name(s) and Date(s)

TQ17NE 1948 1:10,560	TQ27NW 1948 1:10,560
TQ17SE 1948 1:10,560	TQ27SW 1948 1:10,560

Historical Aerial Photography - Slice A



Order Details

Order Number: 142584674_1_1
 Customer Ref: Homebase, Richmond
 National Grid Reference: 518890, 175430
 Slice: A
 Site Area (Ha): 1.58
 Search Buffer (m): 1000

Site Details

Homebase Ltd, 84, Manor Road, RICHMOND, TW9 1YB

Landmark
 INFORMATION GROUP

Tel: 0844 844 9952
 Fax: 0844 844 9951
 Web: www.envirocheck.co.uk

FAIRHURST

Historical Aerial Photography

Published 1948

Source map scale - 1:10,560

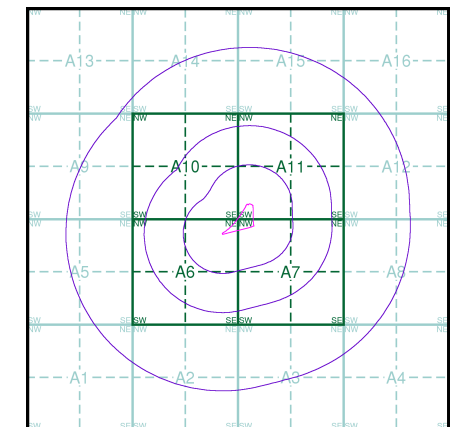
The Historical Aerial Photos were produced by the Ordnance Survey at a scale of 1:1,250 and 1:10,560 from Air Force photography. They were produced between 1944 and 1951 as an interim measure, pending preparation of conventional mapping, due to post war resource shortages. New security measures in the 1950's meant that every photograph was re-checked for potentially unsafe information with security sites replaced by fake fields or clouds. The original editions were withdrawn and only later made available after a period of fifty years although due to the accuracy of the editing, without viewing both revisions it is not easy to spot the edits. Where available Landmark have included both revisions.

© Landmark Information Group and/or Data Suppliers 2010.

Map Name(s) and Date(s)

TQ17NE 1948 1:10,560	TQ27NW 1948 1:10,560
----------------------------	----------------------------

Historical Aerial Photography - Slice A



Order Details

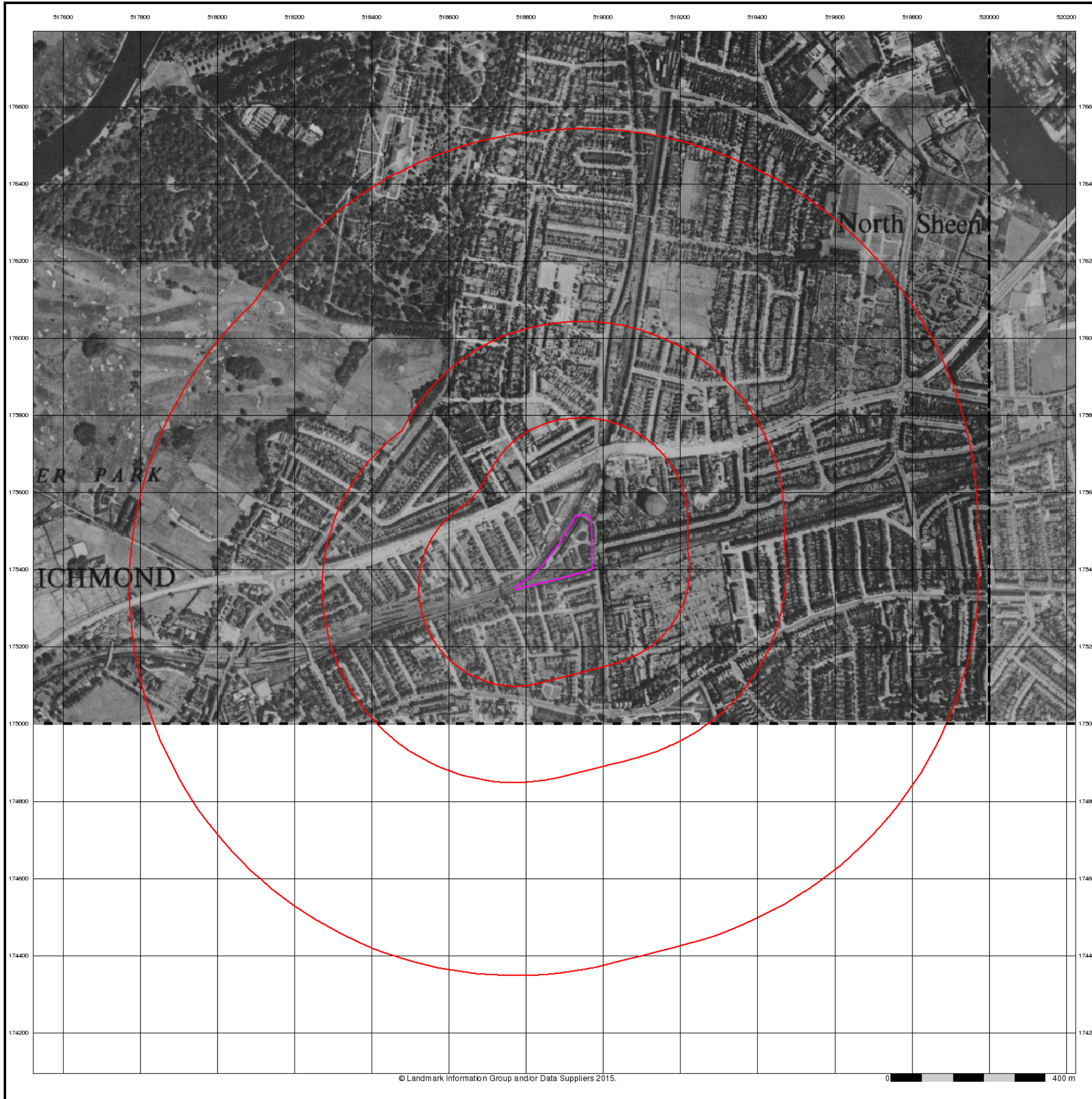
Order Number: 142584674_1_1
Customer Ref: Homebase, Richmond
National Grid Reference: 518890, 175430
Slice: A
Site Area (Ha): 1.58
Search Buffer (m): 1000

Site Details

Homebase Ltd, 84, Manor Road, RICHMOND, TW9 1YB

Landmark
INFORMATION GROUP

Tel: 0844 844 9952
Fax: 0844 844 9951
Web: www.envirocheck.co.uk





FAIRHURST

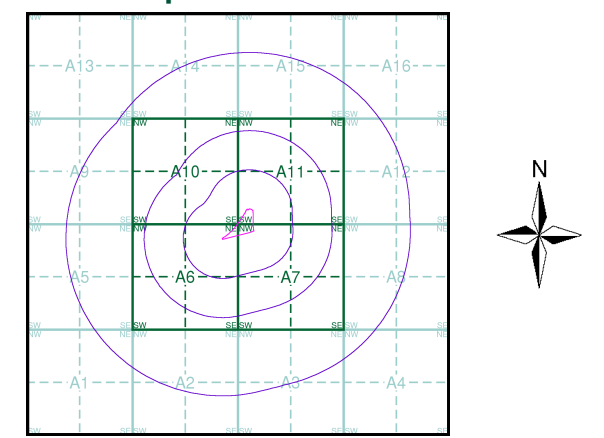
Ordnance Survey Plan
Published 1962 - 1966
Source map scale - 1:10,000

The historical maps shown were reproduced from maps predominantly held at the scale adopted for England, Wales and Scotland in the 1840's. In 1854 the 1:2,500 scale was adopted for mapping urban areas; these maps were used to update the 1:10,560 maps. The published date given therefore is often some years later than the surveyed date. Before 1938, all OS maps were based on the Cassini Projection, with independent surveys of a single county or group of counties, giving rise to significant inaccuracies in outlying areas. In the late 1940's, a Provisional Edition was produced, which updated the 1:10,560 mapping from a number of sources. The maps appear unfinished - with all military camps and other strategic sites removed. These maps were initially overprinted with the National Grid. In 1970, the first 1:10,000 maps were produced using the Transverse Mercator Projection. The revision process continued until recently, with new editions appearing every 10 years or so for urban areas.

Map Name(s) and Date(s)

TQ17NE	TQ27NW
1963	1962
1:10,560	1:10,560
TQ17SE	TQ27SW
1966	1966
1:10,560	1:10,560

Historical Map - Slice A



Order Details

Order Number: 142584674_1_1
 Customer Ref: Homebase, Richmond
 National Grid Reference: 518890, 175430
 Slice: A
 Site Area (Ha): 1.58
 Search Buffer (m): 1000

Site Details

Homebase Ltd, 84, Manor Road, RICHMOND, TW9 1YB

Landmark
 INFORMATION GROUP

Tel: 0844 844 9952
 Fax: 0844 844 9951
 Web: www.envirocheck.co.uk