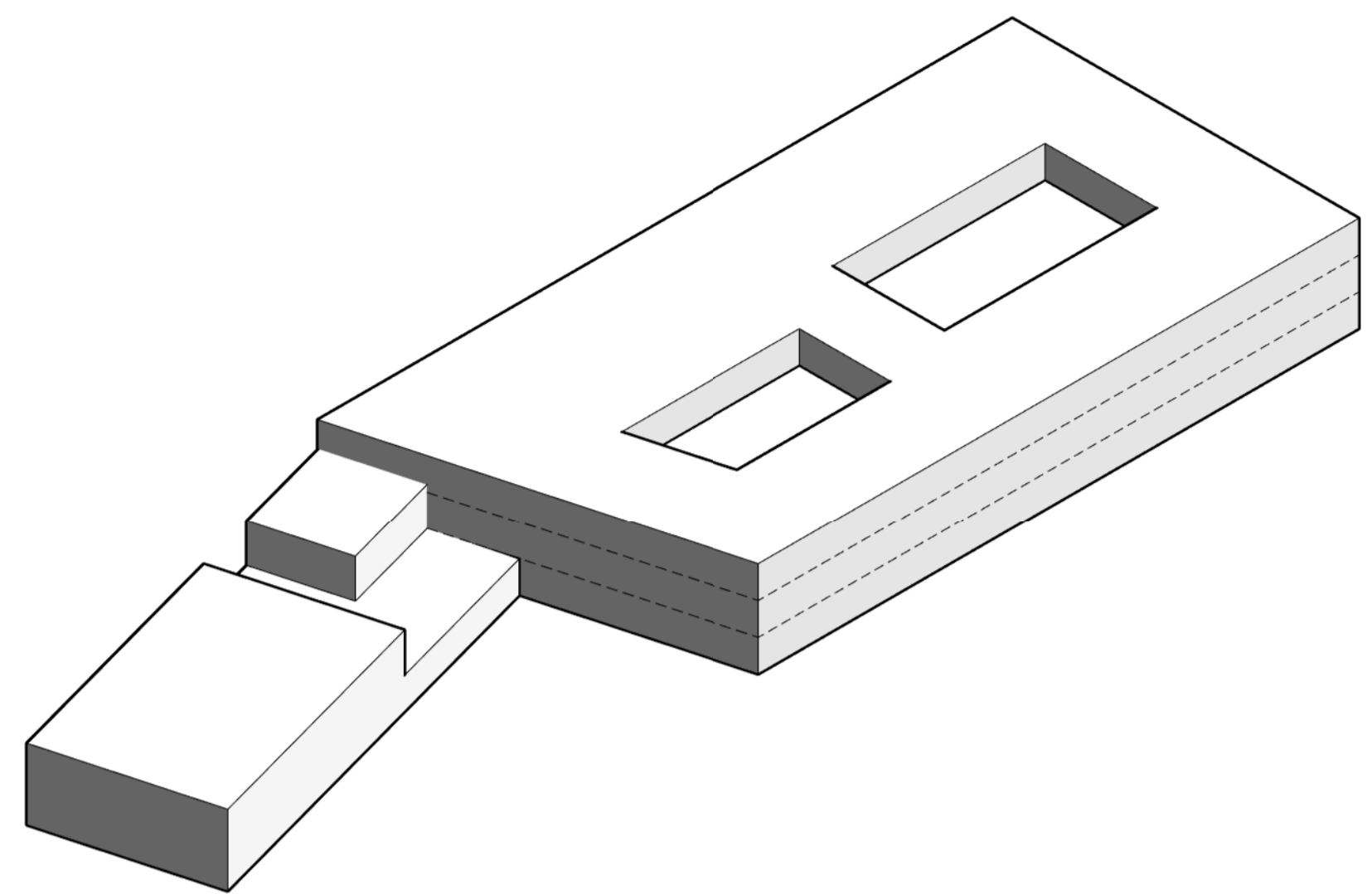
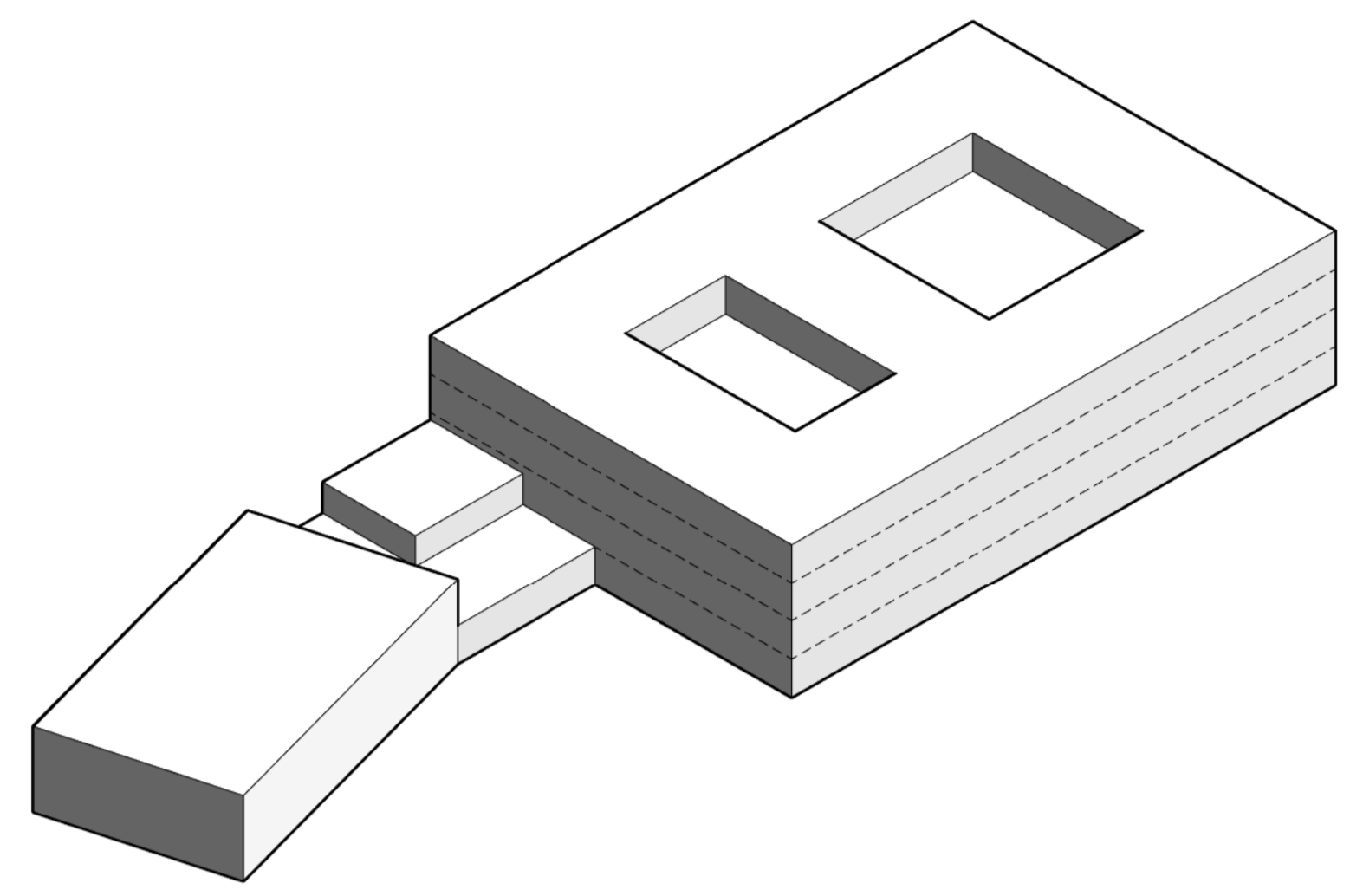


### 3 Storey Submitted Proposal

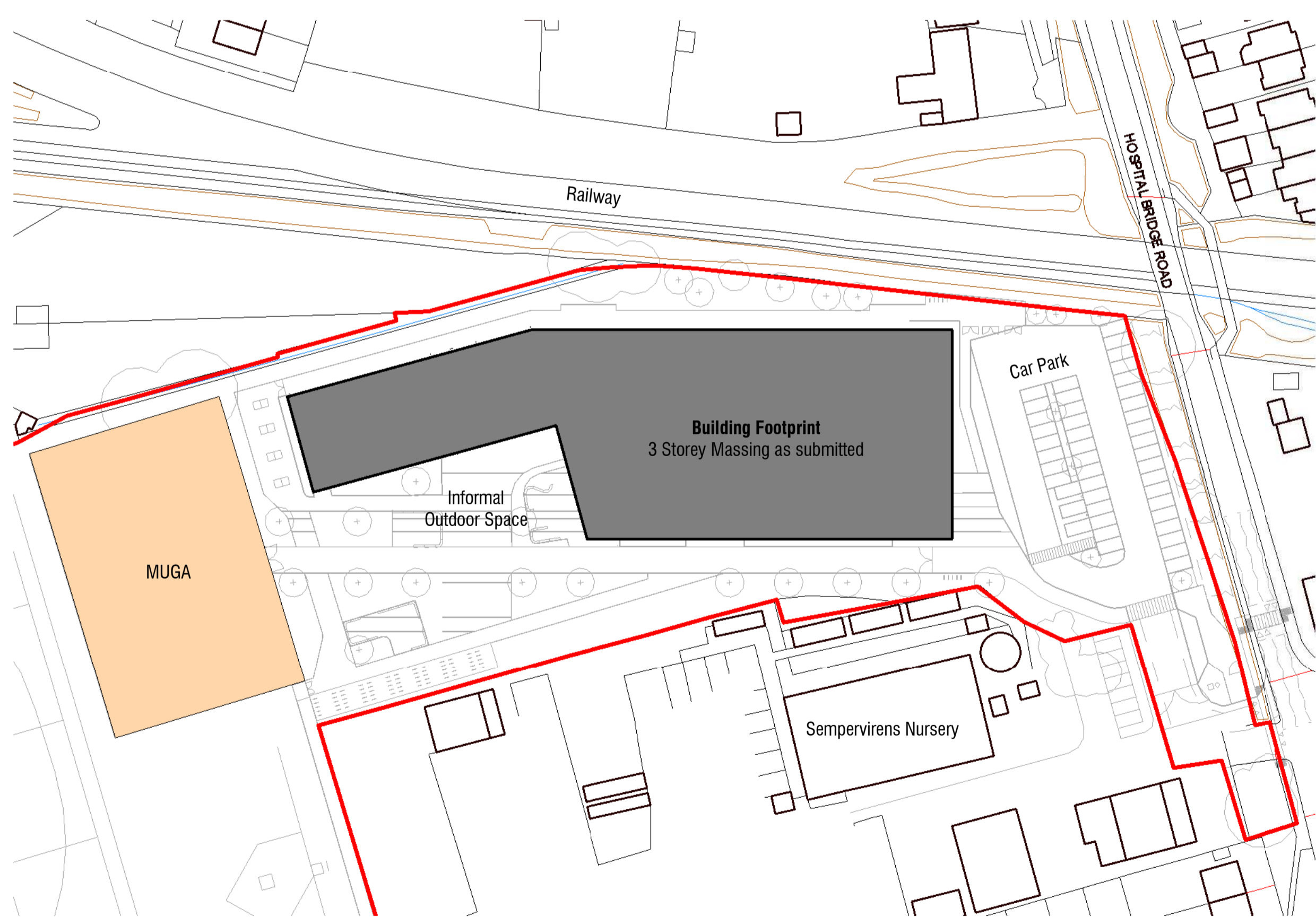


1 3 storey block

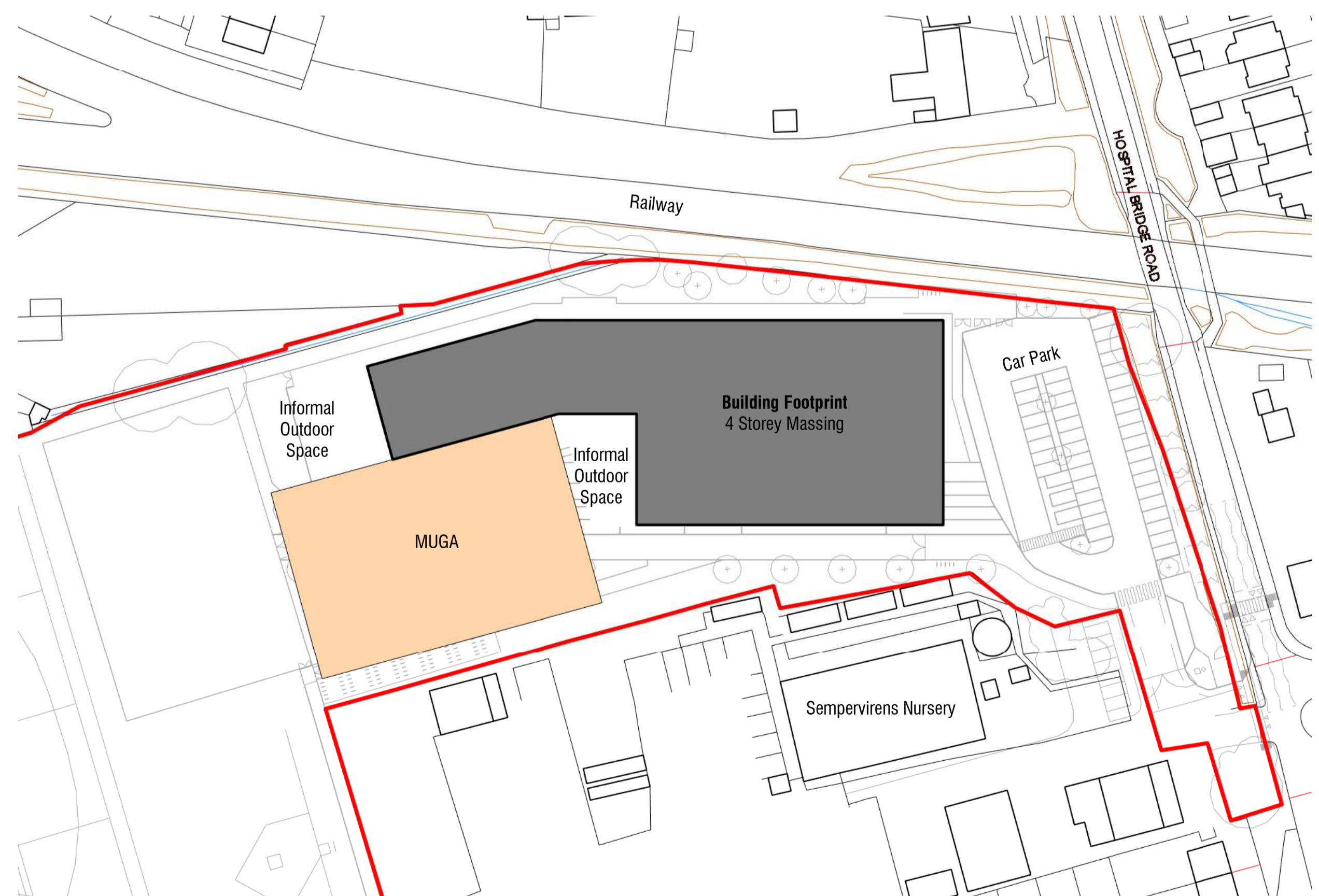
### 4 Storey Comparison Massing



2 Comparison 4 Storey Massing



3 Submitted 3 Storey Massing  
1: 750



4 Comparison 4 Storey Massing  
1: 750

AH	CB	14.03.19	4 Storey Comparison Massing first issue for comment	REVISED BY	AH
CLIENT				CHECKED BY	CB
Bowler & Kirkland				ORIGINATOR NO	151547

CONSULTANT  
**STRIDE TREGLOWN**  
www.stride-treglow.com © Stride Treglow Limited 2016  
 PROJECT  
**Turing House School**  
**Twickenham**

DRAWING TITLE  
**4 Storey Massing Comparison**

SUITABILITY STATUS S2 : SUITABLE FOR INFORMATION	SCALE 1 : 750 @ A1
PROJECT   ORIGINATOR   ZONE   LEVEL   TYPE   ROLE   NUMBER FS0316-STL-ZZ-ZZ-DR-A-S201	REVISION P01