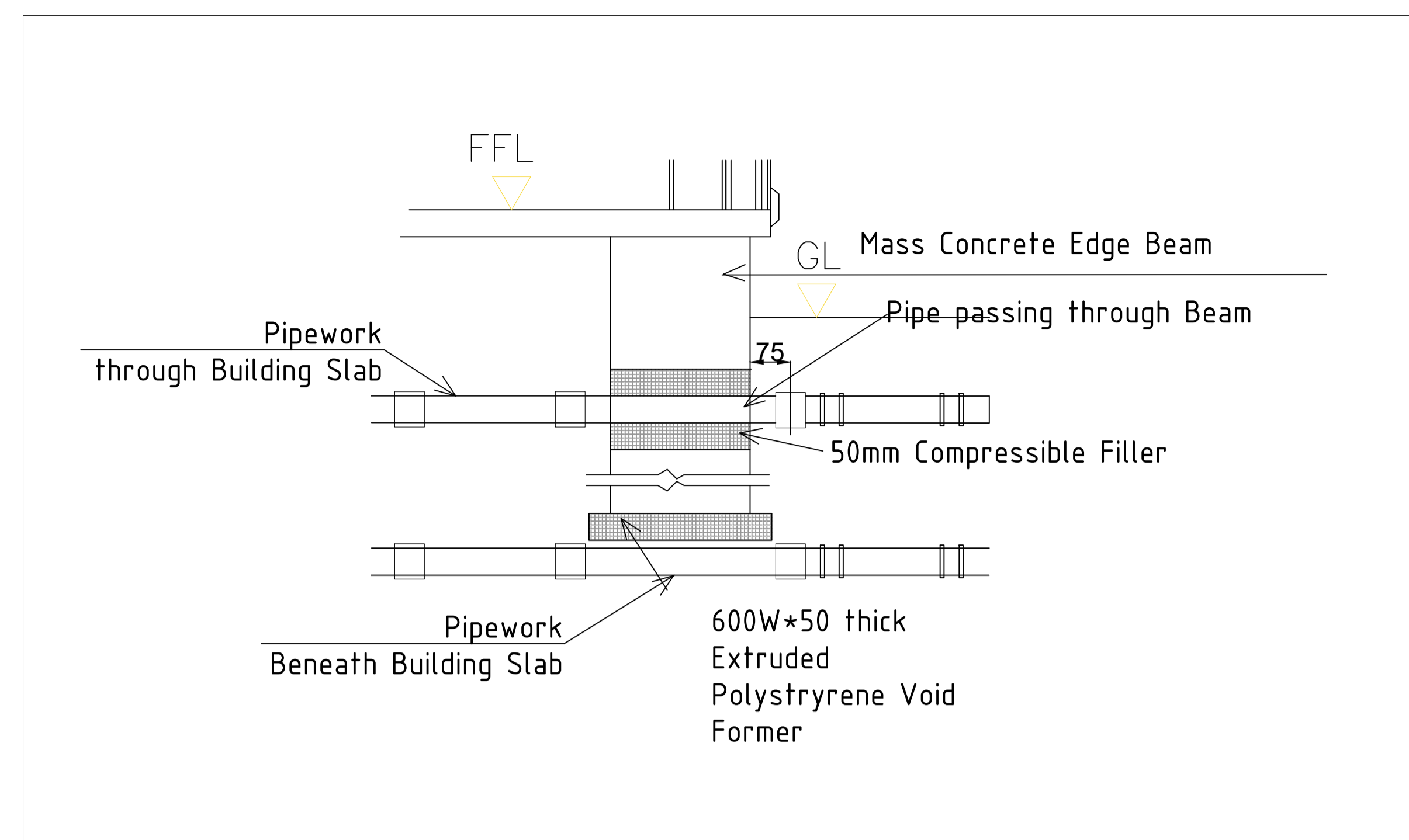
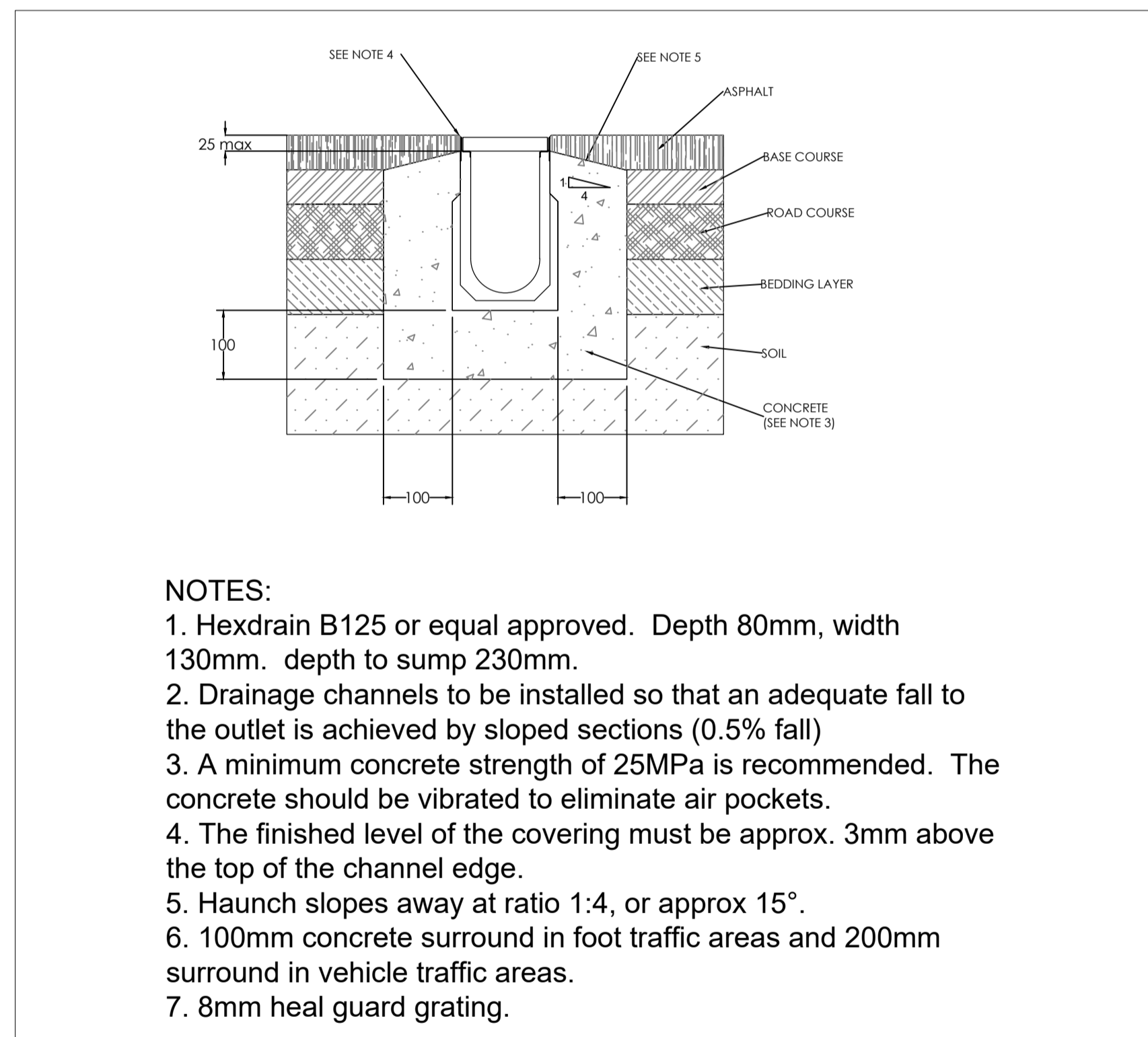


01 Drain Point / Base of Stack Detail  
Collis Primary School  
SCALE: nts



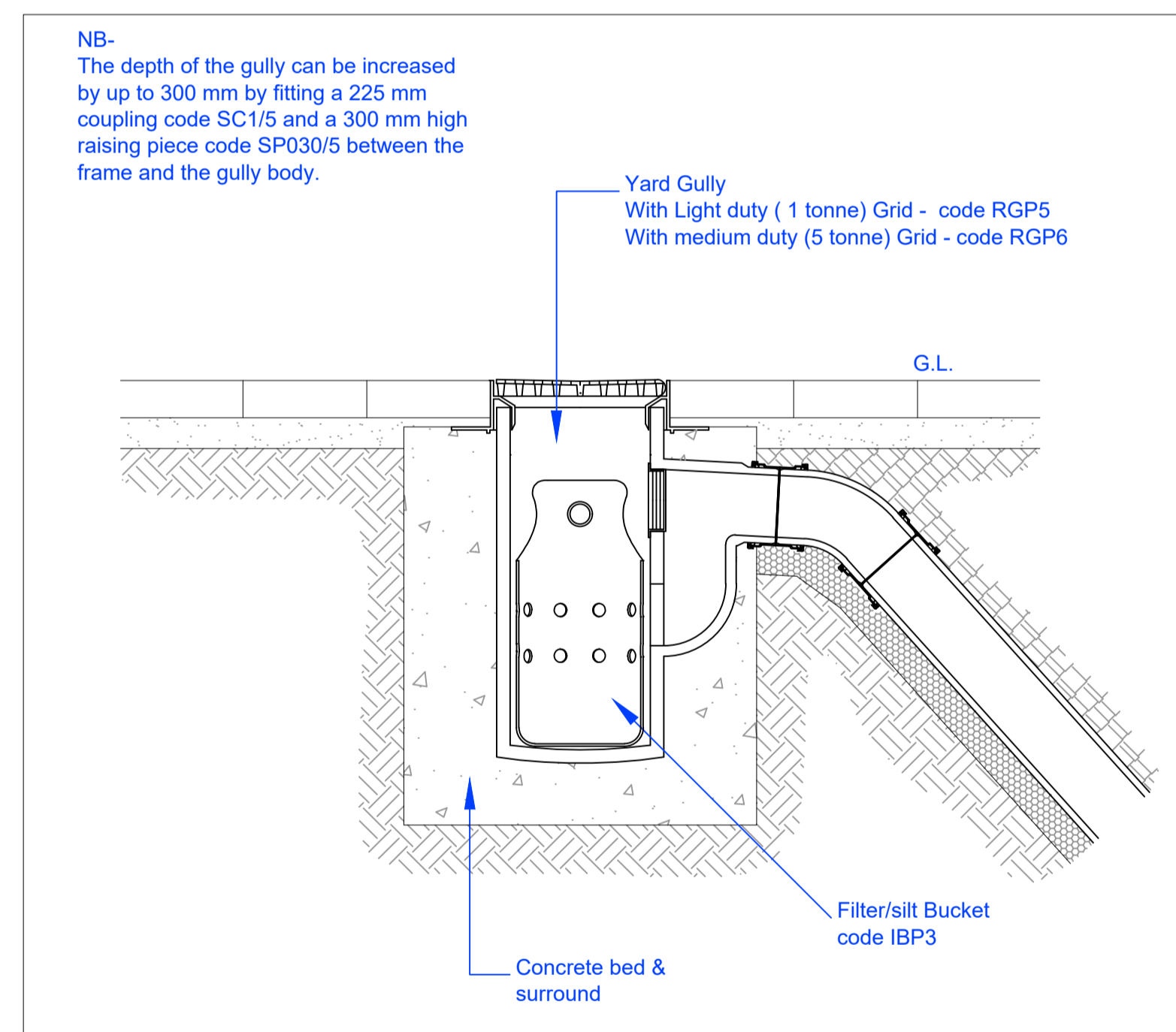
02 Pipework Through/Beneath Structure  
Collis Primary School  
SCALE: nts

Pipework Connections to be Wavin or equal approved.

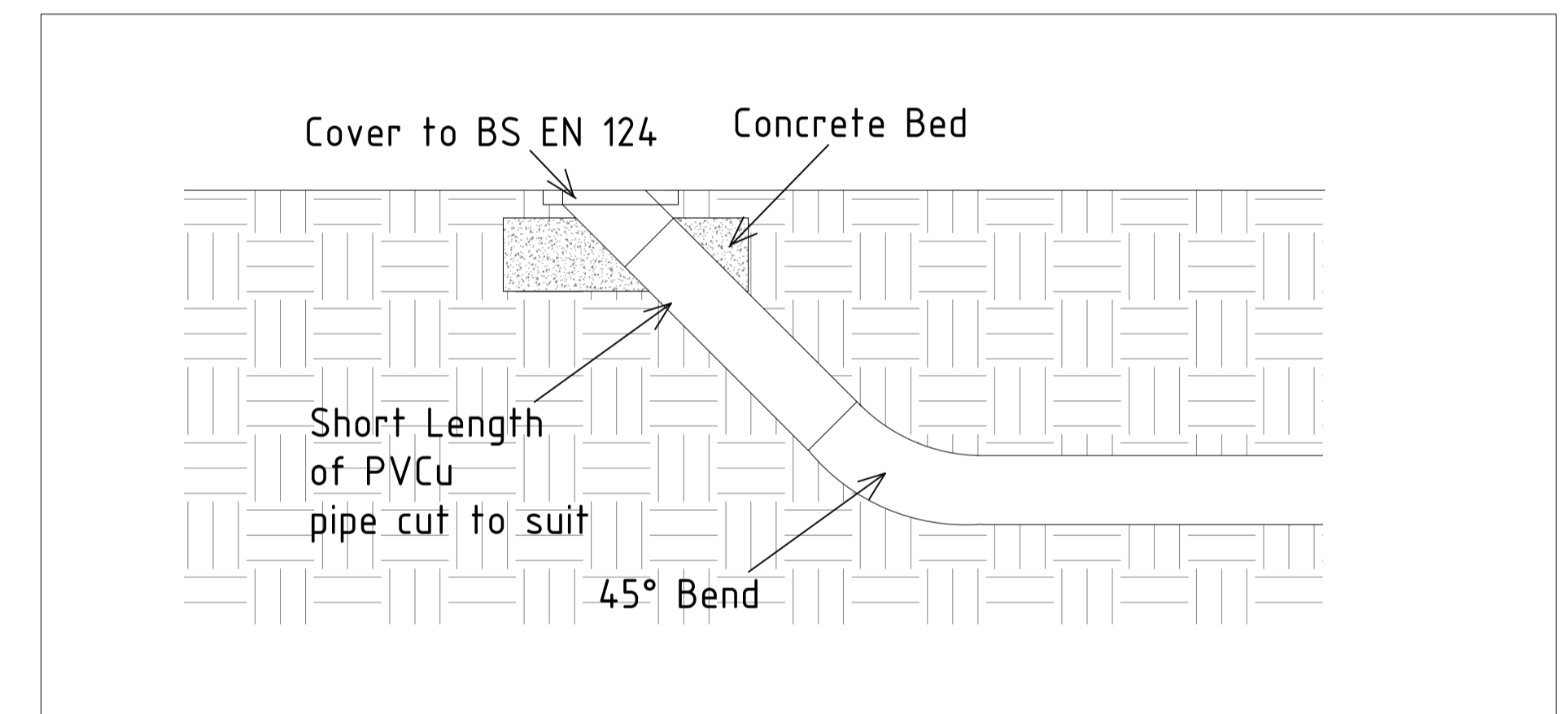


- NOTES:
1. Hexdrain B125 or equal approved. Depth 80mm, width 130mm. depth to sump 230mm.
  2. Drainage channels to be installed so that an adequate fall to the outlet is achieved by sloped sections (0.5% fall)
  3. A minimum concrete strength of 25MPa is recommended. The concrete should be vibrated to eliminate air pockets.
  4. The finished level of the covering must be approx. 3mm above the top of the channel edge.
  5. Haunch slopes away at ratio 1:4, or approx 15°.
  6. 100mm concrete surround in foot traffic areas and 200mm surround in vehicle traffic areas.
  7. 8mm heal guard grating.

03 Surface Water Drainage Channel ACO  
Collis Primary School  
SCALE: nts



04 Yard Gully Detail  
Collis Primary School  
SCALE: nts



05 Rodding Eye  
Collis Primary School  
SCALE: nts

MAP REF:

COORDS:

TBM:

NOTES:

All private drainage works shall be in accordance with The Buildings Approved Document H and BS EN 752.  
All works to new or existing public sewers shall be approval of the Water Authority and in accordance with Sewers for Adoption.  
All excavations shall be kept free from standing water.  
Cover Grades to BSEN124:  
Trafficked areas - D400  
Non-trafficked areas - C250  
Pedestrian areas - B125  
Gratings in pedestrian areas to be designed for pedestrian use (ie heel safe).  
All cover levels shown on this drawing are approximate. Exact levels of new covers and frames to be determined on site to match levels and profile of finished surfaces.

Typical Details Only -  
Surface coverings to be confirmed.

Refer to revision sheet for all amendment details

Rev	Date	General Revision	Drwn	chkd
issue for: Draft CP				

This drawing is the copyright of Teicniuil Priory Consulting Engineers Ltd. No part of this drawing may be copied, transferred, or reproduced and is not for issue to third parties unless written consent is given by Teicniuil Priory Consulting Engineers Ltd.  
Do Not Scale from drawing. Only written dimensions are to be taken in respect of this project.  
All dimensions are in millimetres unless otherwise stated.  
The designer is to be notified immediately of any suspect omissions or discrepancies.  
This drawing is to be read in conjunction with all other relevant drawings and details.  
Should there be any conflict between the details indicated on this drawing and those indicated on other drawings the Designer should be notified PRIOR to construction on site.  
The Contractor is responsible for ensuring that all works are to the satisfaction of the Designer.  
All workmanship is to be constructed in accordance with current Building Regulations.  
All levels are in relation to Ordnance Datum, unless otherwise stated.

Client: Extraspace Solutions Ltd

Project Title:  
Collis Primary School

Drwg Title:  
Standard Details

Drwn by: JON Date: July 19

chckd by: M.C Date: July 19

Job No: 23-19 Scale: Varies paper size: A1

Drwg No: 23-19-0-831 Ref Sheet Rev

ENGINEERING  
SURVEYING  
ARCHITECTURE

**teicniuil-priory**  
consulting engineers

THE COURTYARD  
FAIR HILL  
KILLARNEY  
CO. KERRY  
TEL: 064 6631847  
EMAIL: info@teicniuil.ie  
WEB: www.teicniuil.ie