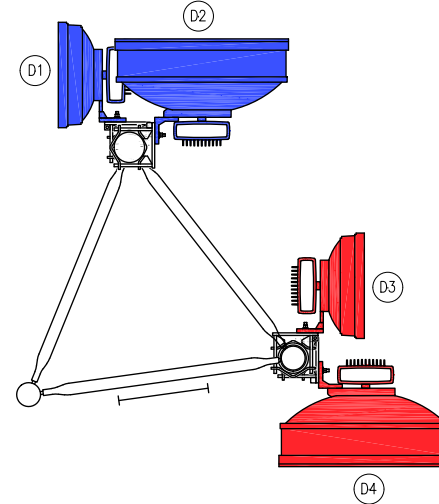


PROPOSED ANTENNA PLAN

1:20

PROPOSED TEF 3No. RRH's (L18/L21, L23 & L34) MOUNTED TO ONE CLIP RAILS FIXED TO TOWER LEGS VIA FPKC BRACKET. ASKIT24 (PER SECTOR)

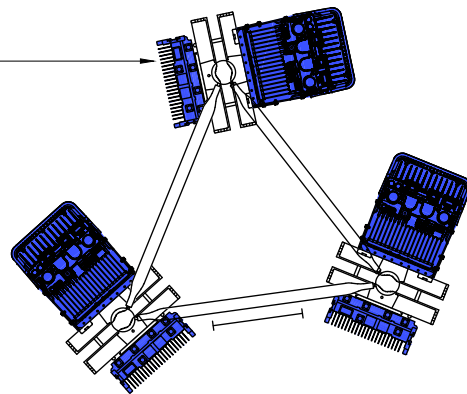
PROPOSED VF GPS MODULE



PROPOSED DISH PLAN

1:20

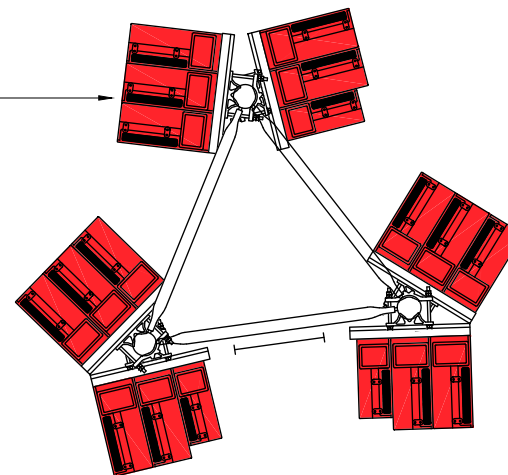
PROPOSED TEF 2No. RRH's (L08/L09 & U09) MOUNTED TO TOWER LEGS VIA FPKC BRACKETS (PER SECTOR)



PROPOSED TEF LOW BAND RRH PLAN

1:20

PROPOSED VF 6No. ERS UNITS (L08, GU09, L14, L12, L26 & NR34) C/W L14 & NR34 FILTERS MOUNTED TO TOWER LEGS VIA 2No. 450mm LONG ERS RAILS (PER SECTOR)



PROPOSED VF ERS PLAN

1:20

ALL DIMENSIONS ARE IN mm UNLESS NOTED OTHERWISE

N.G.R E: 516656 N: 172422

NOTES:

COLOUR KEY	
SHARED EQUIPMENT	
VF ALLOCATED EQUIPMENT	
TEF ALLOCATED EQUIPMENT	
VF ALLOCATED FOOTPRINT	
TEF ALLOCATED FOOTPRINT	
SHARED ALLOCATED FOOTPRINT	
UNUSABLE SPACE	

REV	MODIFICATION	BY	CH	DATE
A	Issued for Approval	PL	SB	17.07.19

MONO CONSULTANTS LIMITED
 No. 58 Cygnet Court
 Timothy's Bridge Road
 Stratford-upon-Avon
 Warwickshire
 CV37 9NW
 t. 44 (0)1789 206500
 f. 44 (0)1789 206529
 www.monoconsultants.com

CORNERSTONE - LONDON

Cell Name		Opt.
HAM SAILING CLUB		-
Cell ID No		
CORNERSTONE	TEF	VF
149008	43932	77168

Site Address / Contact Details

HAM FIELDS
RIVERSIDE DRIVE
RICHMOND
TW10 7RX

Drawing Title:		ANTENNA PLAN
Purpose of Issue:		PLANNING
Drawing Number:		400
Surveyed By:	Original Sheet Size:	Pack Issue:
GREENLIGHT	A3	A
Drawn:	Date:	Checked:
PL	17.07.19	SB
Date:	17.07.19	Date:

WARNING: SDN0008 Revision 2.5 excludes ICNIRP dimensional compliance for massive MiMo 4G/5G or new TEF 5G. Dimensional compliance TBC by CORNERSTONE / TEF at a future date.

The drawings comply with Vodafone Standard ICNIRP guidelines.

Designed in accordance with CORNERSTONE document: SDN0009