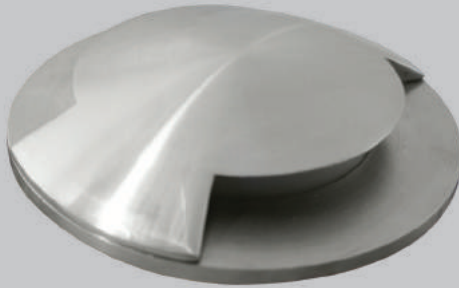


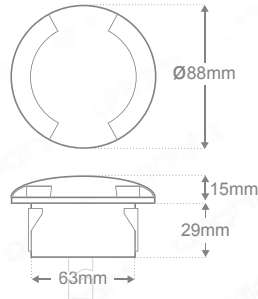
ORLLM88-2 - Marine Grade Two-Way Led Fixture

Description

Marine grade 316 stainless steel in-ground dual marker light complete with integral CREE LED package. Fixture rated to IP68 allowing submersion in water thus negating common issues arising from lack of soil drainage. Configured to 2 x 40 degree beam as standard, product functions with 350mA constant current driver. No mechanical joints to light source ensures robust protection against water ingress. Product runs cool meeting all "touch temperature" requirements.



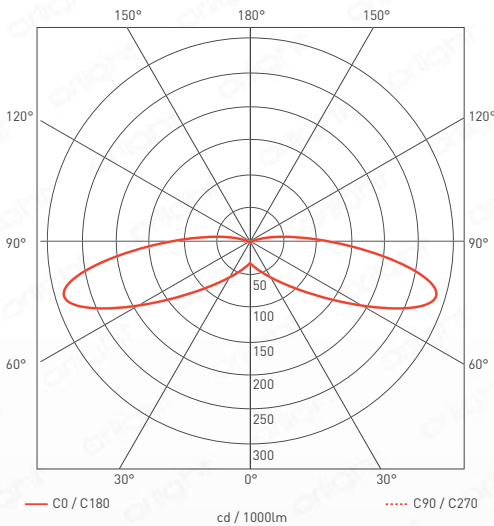
Dimensions



Standards



Polar Report



Specifications

Chipset	5050 - CREE	
Dimming Options	1-10V; DALI	
Power Consumption	3W	
Voltage	9V	
Colour Temperature	3000K	5000K
Light Output ~	240lm	270lm
lm Per Watt ~	80lm/W	90lm/W
CRI	>80	>75
Beam Angle	2 x 40°	
Binning	4 Step MacAdams Ellipse	
Chip Life TM-21	L70 > 60,500 hours	
IP Rating	68	
Operating Ambient Temp	-20-50 °C	
Max Surface Operating Temp	65 °C	
Weight	650g	
Finish	316 Marine Grade Stainless Steel	

Colourmetrics

3000K

R1	R2	R3	R4	R5	R6	R7	R8
81	87	93	83	80	84	86	64
R9	R10	R11	R12	R13	R14	R15	
13	70	82	64	82	96	73	

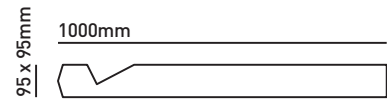
5000K

R1	R2	R3	R4	R5	R6	R7	R8
64	72	80	69	65	63	80	54
R9	R10	R11	R12	R13	R14	R15	
0	35	65	37	64	89	55	

Product Coding: Example: ORLLM88-2-SS-3000K

*Accessories

CODE	FINISH	COLOUR TEMP	DIMMING OPTION	DRIVERS
ORLLM88-2	SS-(STAINLESS STEEL)	3000K	ND-(SWITCHED)	ORLRPV350CC - (IP68)
		5000K	1-10V	JOLLY-MINI-1-10V - (IP20)
			DALI	JOLLY-MINI-DALI - (IP20)
			*Refer to Accessories	



BOL LED MAINS

STRAIGHT TO MAINS LED WOODEN BOLLARD

PRODUCT DATA

Product code	BOL LED 030 MAINS
Colours available (LED)	White (WH), Warm white (WW) & Blue (BL)

PHOTOMETRICS

Beam angle (°)	110
Colour temperature (K)	±175k WH: 6000 WW: 3000
CRI (colour rendering index)	R8 WH: 70 WW: 85
Life of LED (hrs)	70,000
Luminous flux (lm)	WH: 212
Wattage (W)	5
Luminous efficacy (lm/w)	WH: 42
Lux @ 1m	WH: 104

WIRING

Drivers	N/A (350mA LED driver built in)
Cable/flying lead (m)	1.8
Type of wiring required	Parallel (mains)

GENERAL

Accessories	BOL LED BRACKET, JB1 & JB5
Bathroom zone	N/A
Construction material (body)	Iroko wood
Cut-out (mm)	N/A
Face temperature when lit (°C)	43
IK rating	N/A
IP rating	65
Max drive over speed (mph)	N/A
Rotation angle (°)	N/A
SELV (safety extra low voltage)	Yes
Tilt angle (°)	N/A
Warranty (yrs)	1
Weight (Kg)	TBC

FEATURES

To retain original colour, treatment will be required every 1-2 years, otherwise the wood will weather and turn a natural grey colour.

All data quoted is subject to change without prior notice

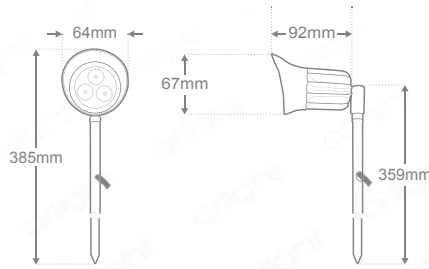
ORLLM66 - Marine Grade Led Spike Fixture

Description

Marine grade 316 stainless steel in-ground spike fixture complete with integral CREE LED package. Configured to 15 degree beam as standard, product functions with 350mA constant current driver. No mechanical joints to light source ensures robust protection against water ingress. Product runs cool meeting all touch temperature requirements.



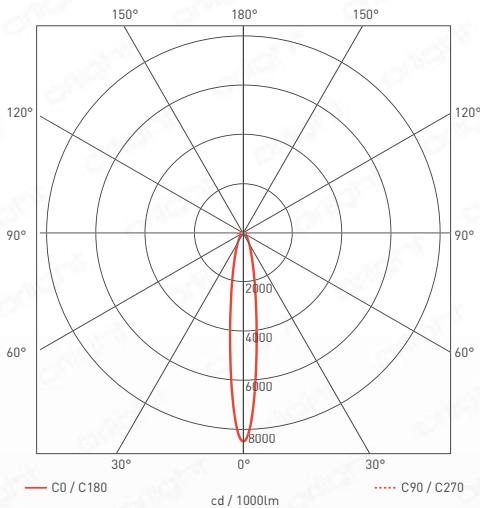
Dimensions



Standards



Polar Report



Specifications

Chipset	5050 - CREE	
Dimming Options	1-10V; DALI	
Power Consumption	3W Fixture / 5W Circuit Power	
Voltage	9V	
Colour Temperature	3000K	5000K
Light Output ~	235lm	290lm
lm Per Watt ~	78lm/W	97lm/W
CRI	>80	>70
Beam Angle	15°	
Binning	4 Step MacAdams Ellipse	
Chip Life TM-21	L70 > 60,500 hours	
IP Rating	65	
Operating Ambient Temp	-20-50°C	
Max Surface Operating Temp	65°C	
Weight	925g	
Finish	316 Marine Grade Stainless Steel With Polished Reflector	

Colourmetrics

3000K

5000K

R1	R2	R3	R4	R5	R6	R7	R8
79	87	94	82	78	83	86	61
R9	R10	R11	R12	R13	R14	R15	
6	69	80	63	80	96	71	

R1	R2	R3	R4	R5	R6	R7	R8
67	73	77	71	68	64	79	58
R9	R10	R11	R12	R13	R14	R15	
0	35	69	42	67	87	60	

Product Coding: Example: ORLLM66-SS-3000K-DALI

*Accessories

CODE	FINISH	COLOUR TEMP	DIMMING OPTION	DRIVERS
ORLLM66	SS - (STAINLESS STEEL)	3000K	ND-(SWITCHED)	ORLRPV350CC - (IP65)
		5000K	1-10V	JOLLY-MINI-1-10V - (IP20)
			DALI	JOLLY-MINI-DALI - (IP20)
			*Refer to Accessories	

A PLACE IN THE GARDEN

Bath Hanging Lamp Small

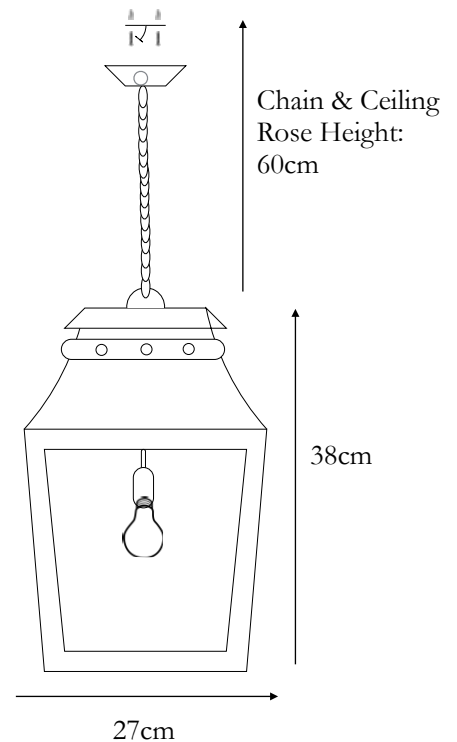
W: 27cm
D: 27cm
H: 38cm

Weight: 6kg.
Code: BATH-HL02



“The Stunning but simple Bath Hanging Lanterns, to match our Coach Lamps is now available in two sizes. The Bath Coach Lamp is Suitable for Entrance Porches and Covered Walkways. The lantern arrives with a Ceiling Hook, Mounting Plate, Ceiling Rose, Chain and a Vintage LED Bulb. These lanterns are IP23, so its not recommended for exposed outdoor use.”

Lamp Fitting: 1x E27 Edison Screw
IP23 Rated
Max 60W



ORL3009A-S - Marine Grade Up & Down Fixture

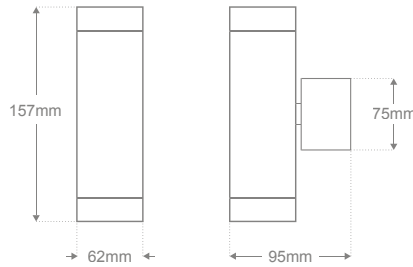
Description

High specification up & down exterior fixture featuring Marine Grade 316 Stainless Steel construction rated to IP65. Includes integrated GU10 lamp holders suitable for 240V input allowing ease of installation without the need for additional drivers. Compatible with Orlight 5W LED retrofit solutions.



Dimensions

Standards



Fixture Specifications

Compatible Light Source	7W LED Lumenpulse
Voltage	240V
Light Distribution	Up and Down
Cut out / Install Diagram	Surface Mounted
IP Rating	65
Weight	1194g
Finish	316 Marine Grade Stainless Steel

Light Source Specification

Chipset	Orlight COB
Power Consumption	2x7W
Colour Temperature	~3000K
Lumen Output	674lm
Binning	2 Step MacAdams Ellipse
Chip Life TM-21	Chip Life TM-21 L70 > 60'500hrs
Beam Angle	38°

REFERENCE: EX4

ORLBH28-E-LED-BL-4000K

REFERENCE: EX4E

ORLBH28-E-LED-BL-4000K-EM-ST

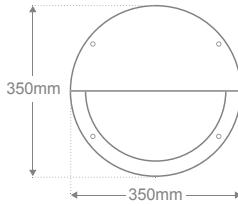
ORLBH28-E - LED Bulkhead - Eyelid Large



Description

This series of surface fixtures feature IP65 rated construction with a textured epoxy finish. The product includes integrated LED power supply with solid state chipset and polycarbonate diffuser for glare reduction. A CRI value of Ra > 80 ensures light quality and eyelid construction provides asymmetric downward light emission. Available in Black, White and bespoke RAL finishes.

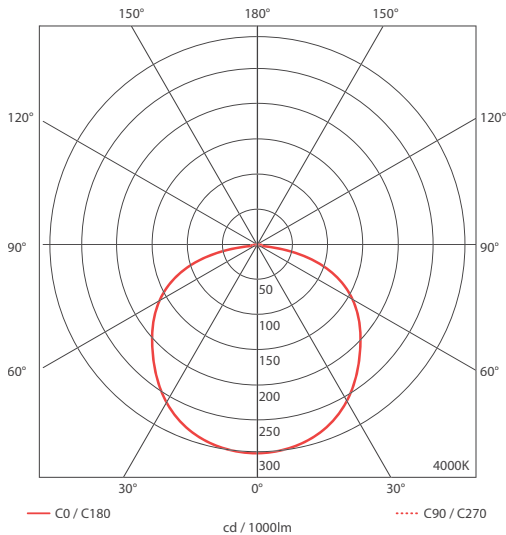
Dimensions



Standards



Polar Report



Specifications

Chipset	Epistar 0918
Dimming Options	Switched
Power Consumption	13W
Voltage	240V
Colour Temperature	4000K
Light Output ~	585lm
lm Per Watt ~	45lm/W
CRI	>80
Beam Angle	120°
Binning	4 Step MacAdams Ellipse
Chip Life TM-21	L70 > 36,000 hours
IP Rating	65
Touch Temperature (Glass)	34.4°C
Touch Temperature (Body Casing)	31.4°C
Weight	2848g
Finish	Black, White, RAL



BOUTES LED

BOUTES LED utilises a special LED array and curved reflector combination delivering a 10W/800 lumen output in colour 830 as standard powered by an extremely efficient Tridonic driver. Other outputs, colour temperatures as well as dimmable and emergency versions are possible. A die cast aluminium IP65 rated body and 'J' bolt fixing kit allow for the BOUTES LED to be situated in most external environments.



APPLICATIONS

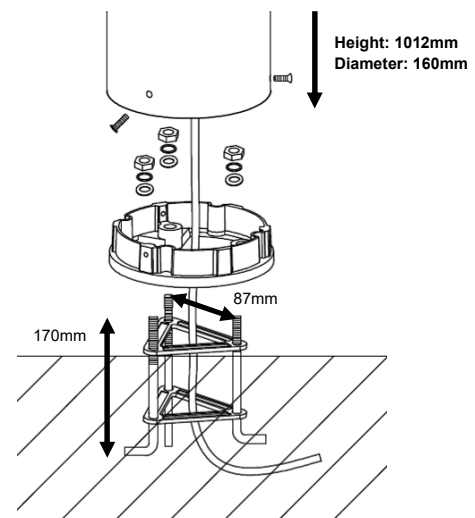
- Outdoor areas
- Walkways
- Parks
- Building exteriors
- Schools
- Playgrounds

TRIDONIC

FEATURES / SPECIFICATION

- 10W 2835/3030 SMD LED array as standard in 3000k
- 4000k and 5700k also available
- Tridonic LED driver as standard
- DALI dimmable versions available, suitable for use with external daylight dimming light controls
- High efficiency aluminium reflector
- Die cast aluminium body
- Clear impact resistant polycarbonate lens
- IP65
- 1000mm nominal height, can be shorter if required
- 'J' bolt mounting kit and base terminal block included

DIMENSIONS



PART NUMBERS

Denotes **BOUTES LED** range
Options:
BOLED

Denotes colour rendering / temperature
Options:
830 = 80 CRI, 3000°k
840 = 80 CRI, 4000°k
857 = 80 CRI, 5700°k

Denotes height
Options:
1000 = 1000mm (nom)
**** = Please enter desired length (up to 1000mm)

Denotes emergency
Options:
EM = 3hr emergency
EMST = Emergency w/ self-test
EMPRO = DALI addressable emergency

BOLED / 800 / 830 / FI / 1000 / JBK / EM

Denotes wattage
Options:
800 = 800lm (10W)
**** = Please enter desired lumen output if different to above (up to 2000lm)

Denotes operation type
Options:
FI = Fixed output
DALI = DALI dimmable

Denotes J-bolt kit
Options:
JBK = J-bolt kit
RMK = Root mount kit