

Surrey

Published 1920

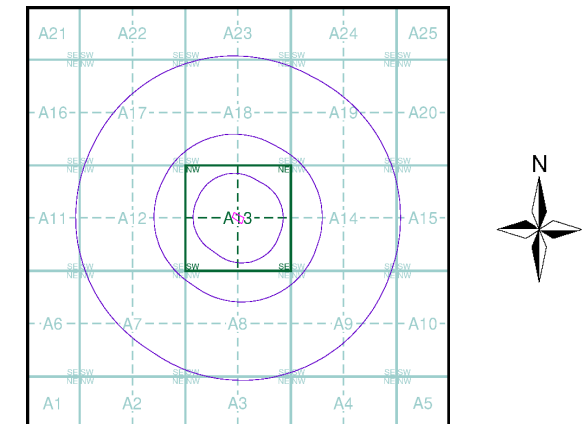
Source map scale - 1:10,560

The historical maps shown were reproduced from maps predominantly held at the scale adopted for England, Wales and Scotland in the 1840's. In 1854 the 1:2,500 scale was adopted for mapping urban areas; these maps were used to update the 1:10,560 maps. The published date given therefore is often some years later than the surveyed date. Before 1938, all OS maps were based on the Cassini Projection, with independent surveys of a single county or group of counties, giving rise to significant inaccuracies in outlying areas. In the late 1940's, a Provisional Edition was produced, which updated the 1:10,560 mapping from a number of sources. The maps appear unfinished - with all military camps and other strategic sites removed. These maps were initially overprinted with the National Grid. In 1970, the first 1:10,000 maps were produced using the Transverse Mercator Projection. The revision process continued until recently, with new editions appearing every 10 years or so for urban areas.

Map Name(s) and Date(s)

006NE 1920 1:10,560	006SE 1920 1:10,560
---------------------------	---------------------------

Historical Map - Slice A



Order Details

Order Number: 85332498\_1\_1  
 Customer Ref: SL05030  
 National Grid Reference: 514240, 170830  
 Slice: A  
 Site Area (Ha): 0.27  
 Search Buffer (m): 1000

Site Details

Flat, 64 High Street, Hampton Hill, HAMPTON, Middlesex, TW12 1PD



513000 513200 513400 513600 513800 514000 514200 514400 514600 514800 515000 515200 515400



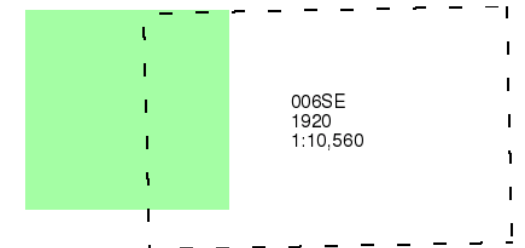
Surrey

Published 1920

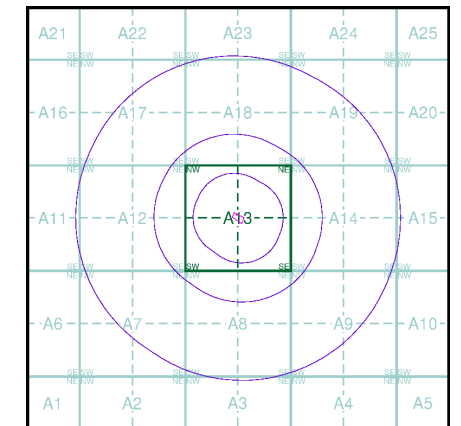
Source map scale - 1:10,560

The historical maps shown were reproduced from maps predominantly held at the scale adopted for England, Wales and Scotland in the 1840's. In 1854 the 1:2,500 scale was adopted for mapping urban areas; these maps were used to update the 1:10,560 maps. The published date given therefore is often some years later than the surveyed date. Before 1938, all OS maps were based on the Cassini Projection, with independent surveys of a single county or group of counties, giving rise to significant inaccuracies in outlying areas. In the late 1940's, a Provisional Edition was produced, which updated the 1:10,560 mapping from a number of sources. The maps appear unfinished - with all military camps and other strategic sites removed. These maps were initially overprinted with the National Grid. In 1970, the first 1:10,000 maps were produced using the Transverse Mercator Projection. The revision process continued until recently, with new editions appearing every 10 years or so for urban areas.

Map Name(s) and Date(s)



Historical Map - Slice A



Order Details

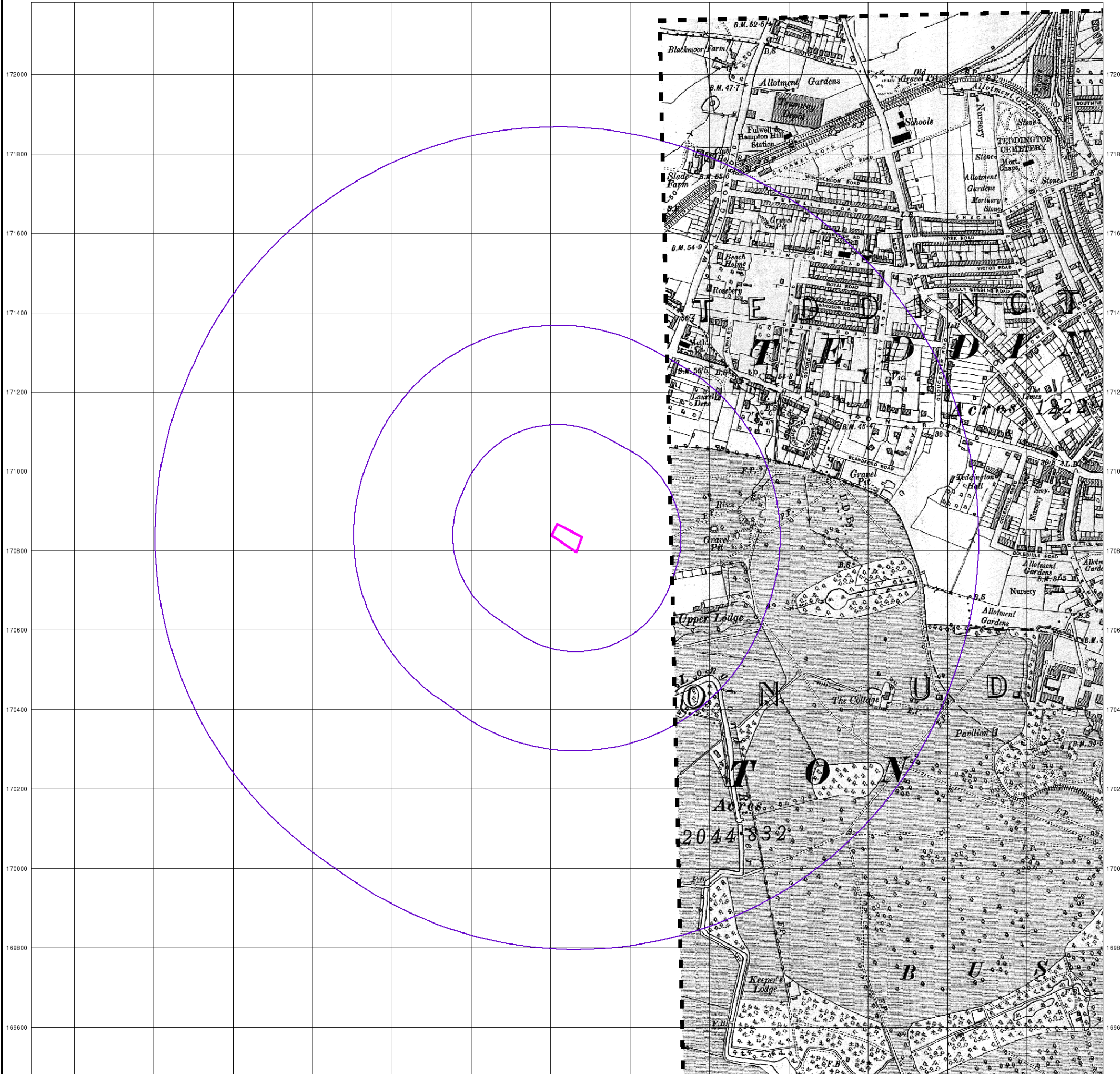
Order Number: 85332498\_1\_1  
 Customer Ref: SL05030  
 National Grid Reference: 514240, 170830  
 Slice: A  
 Site Area (Ha): 0.27  
 Search Buffer (m): 1000

Site Details

Flat, 64 High Street, Hampton Hill, HAMPTON, Middlesex, TW12 1PD



Tel: 0844 844 9952  
 Fax: 0844 844 9951  
 Web: www.envirocheck.co.uk



## Middlesex

Published 1932 - 1935

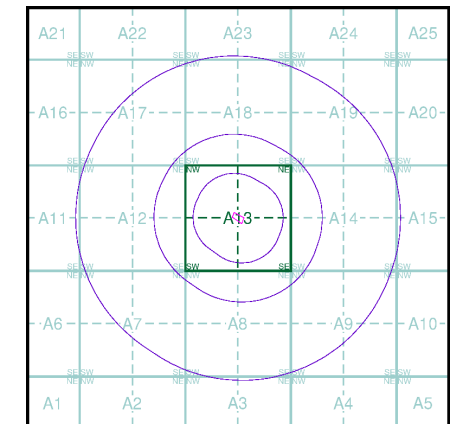
Source map scale - 1:10,560

The historical maps shown were reproduced from maps predominantly held at the scale adopted for England, Wales and Scotland in the 1840's. In 1854 the 1:2,500 scale was adopted for mapping urban areas; these maps were used to update the 1:10,560 maps. The published date given therefore is often some years later than the surveyed date. Before 1938, all OS maps were based on the Cassini Projection, with independent surveys of a single county or group of counties, giving rise to significant inaccuracies in outlying areas. In the late 1940's, a Provisional Edition was produced, which updated the 1:10,560 mapping from a number of sources. The maps appear unfinished - with all military camps and other strategic sites removed. These maps were initially overprinted with the National Grid. In 1970, the first 1:10,000 maps were produced using the Transverse Mercator Projection. The revision process continued until recently, with new editions appearing every 10 years or so for urban areas.

### Map Name(s) and Date(s)

020SW 1932 1:10,560	020SE 1935 1:10,560
025NW 1934 1:10,560	025NE 1934 1:10,560

### Historical Map - Slice A

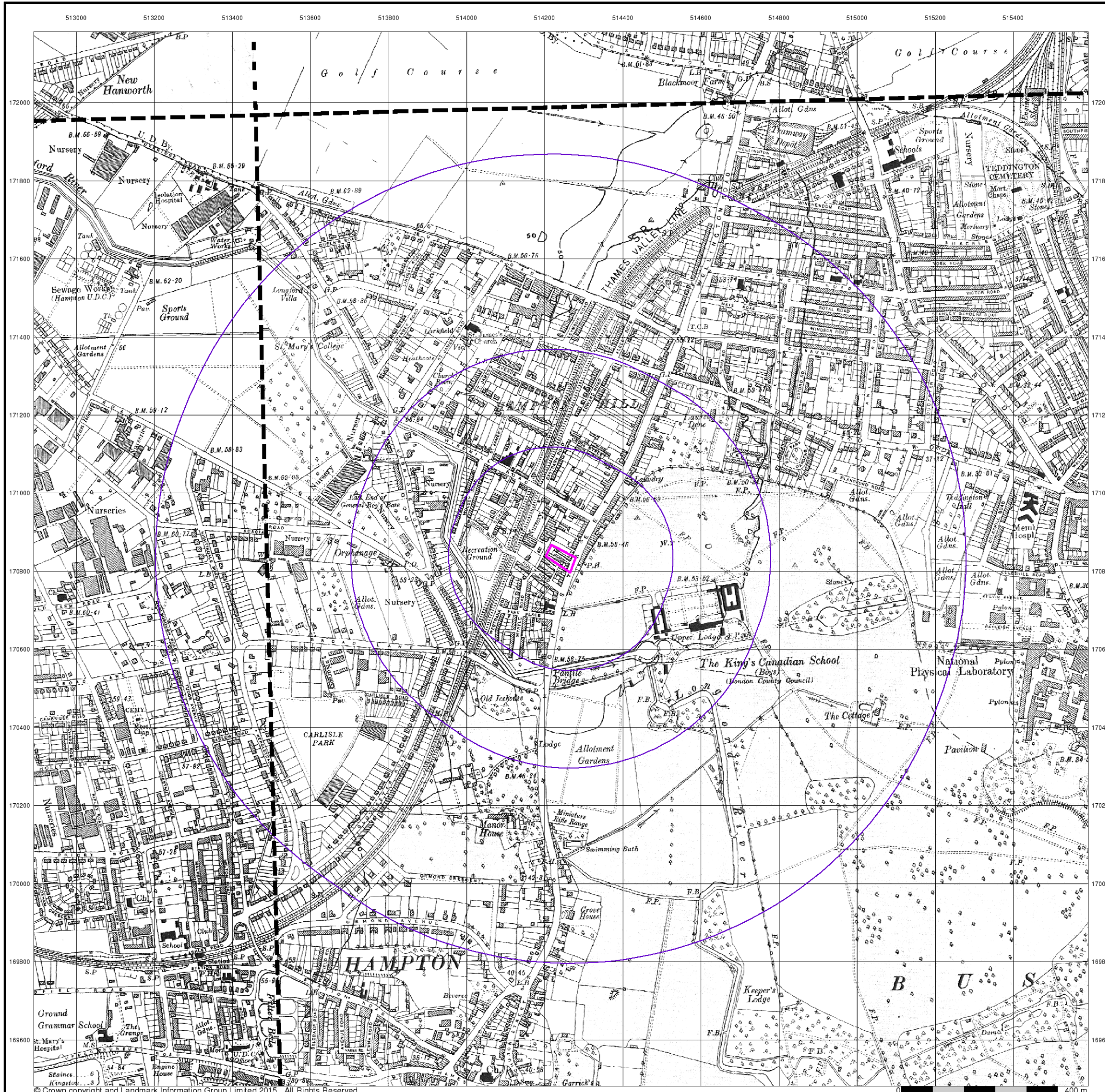


### Order Details

Order Number: 85332498\_1\_1  
 Customer Ref: SL05030  
 National Grid Reference: 514240, 170830  
 Slice: A  
 Site Area (Ha): 0.27  
 Search Buffer (m): 1000

### Site Details

Flat, 64 High Street, Hampton Hill, HAMPTON, Middlesex, TW12 1PD



Surrey

Published 1933

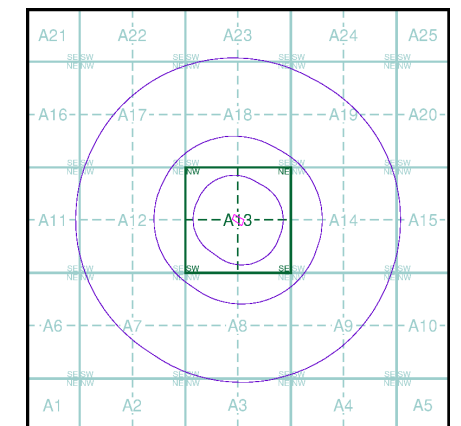
Source map scale - 1:10,560

The historical maps shown were reproduced from maps predominantly held at the scale adopted for England, Wales and Scotland in the 1840's. In 1854 the 1:2,500 scale was adopted for mapping urban areas; these maps were used to update the 1:10,560 maps. The published date given therefore is often some years later than the surveyed date. Before 1938, all OS maps were based on the Cassini Projection, with independent surveys of a single county or group of counties, giving rise to significant inaccuracies in outlying areas. In the late 1940's, a Provisional Edition was produced, which updated the 1:10,560 mapping from a number of sources. The maps appear unfinished - with all military camps and other strategic sites removed. These maps were initially overprinted with the National Grid. In 1970, the first 1:10,000 maps were produced using the Transverse Mercator Projection. The revision process continued until recently, with new editions appearing every 10 years or so for urban areas.

Map Name(s) and Date(s)

006NE	1933	1:10,560
006SE	1933	1:10,560

Historical Map - Slice A

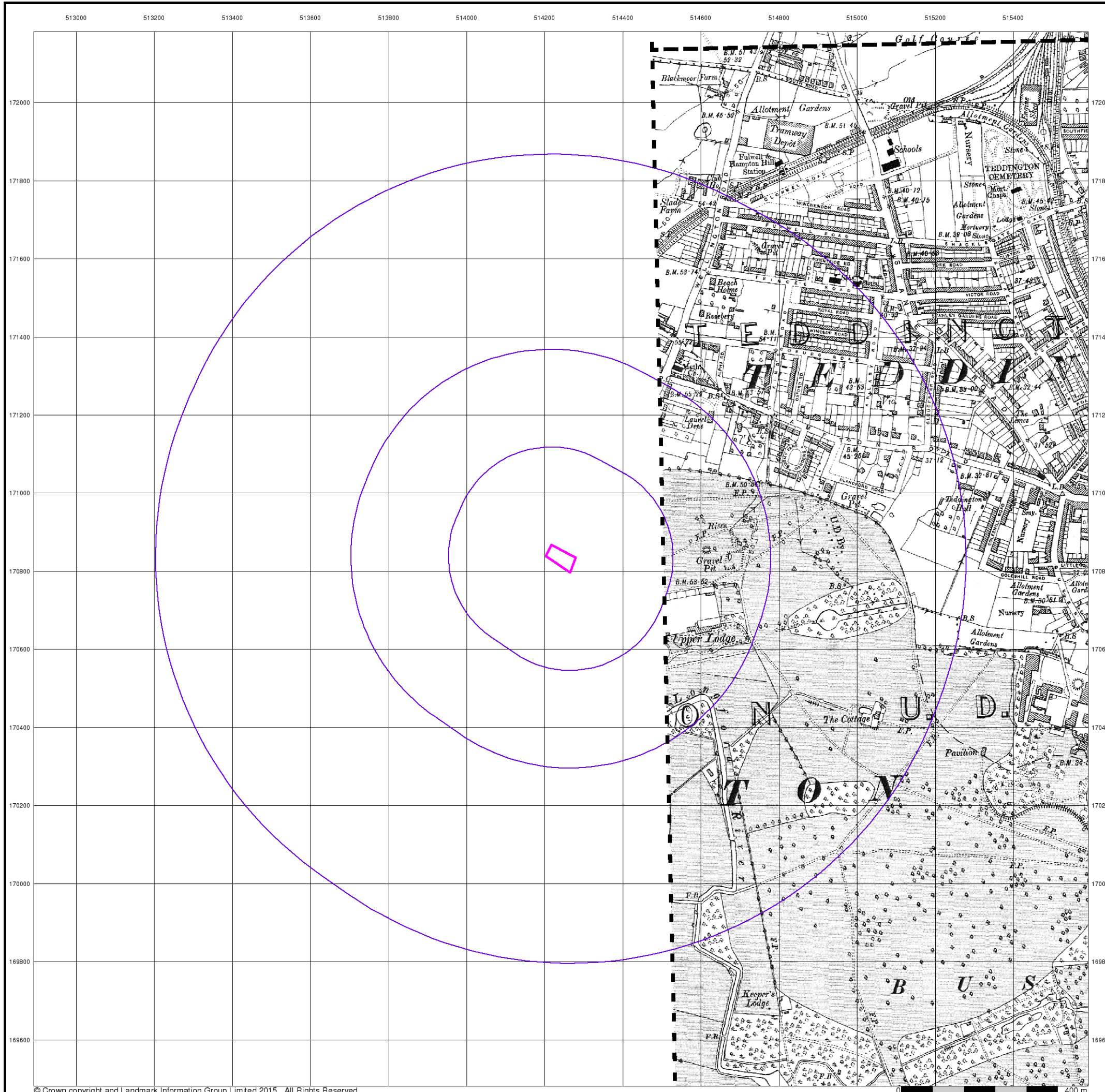


Order Details

Order Number: 85332498\_1\_1  
 Customer Ref: SL05030  
 National Grid Reference: 514240, 170830  
 Slice: A  
 Site Area (Ha): 0.27  
 Search Buffer (m): 1000

Site Details

Flat, 64 High Street, Hampton Hill, HAMPTON, Middlesex, TW12 1PD



## Middlesex

Published 1934

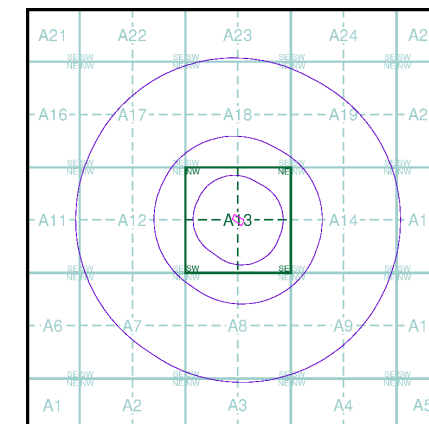
Source map scale - 1:10,560

The historical maps shown were reproduced from maps predominantly held at the scale adopted for England, Wales and Scotland in the 1840's. In 1854 the 1:2,500 scale was adopted for mapping urban areas; these maps were used to update the 1:10,560 maps. The published date given therefore is often some years later than the surveyed date. Before 1938, all OS maps were based on the Cassini Projection, with independent surveys of a single county or group of counties, giving rise to significant inaccuracies in outlying areas. In the late 1940's, a Provisional Edition was produced, which updated the 1:10,560 mapping from a number of sources. The maps appear unfinished - with all military camps and other strategic sites removed. These maps were initially overprinted with the National Grid. In 1970, the first 1:10,000 maps were produced using the Transverse Mercator Projection. The revision process continued until recently, with new editions appearing every 10 years or so for urban areas.

### Map Name(s) and Date(s)

020SW  
1934  
1:10,560

### Historical Map - Slice A

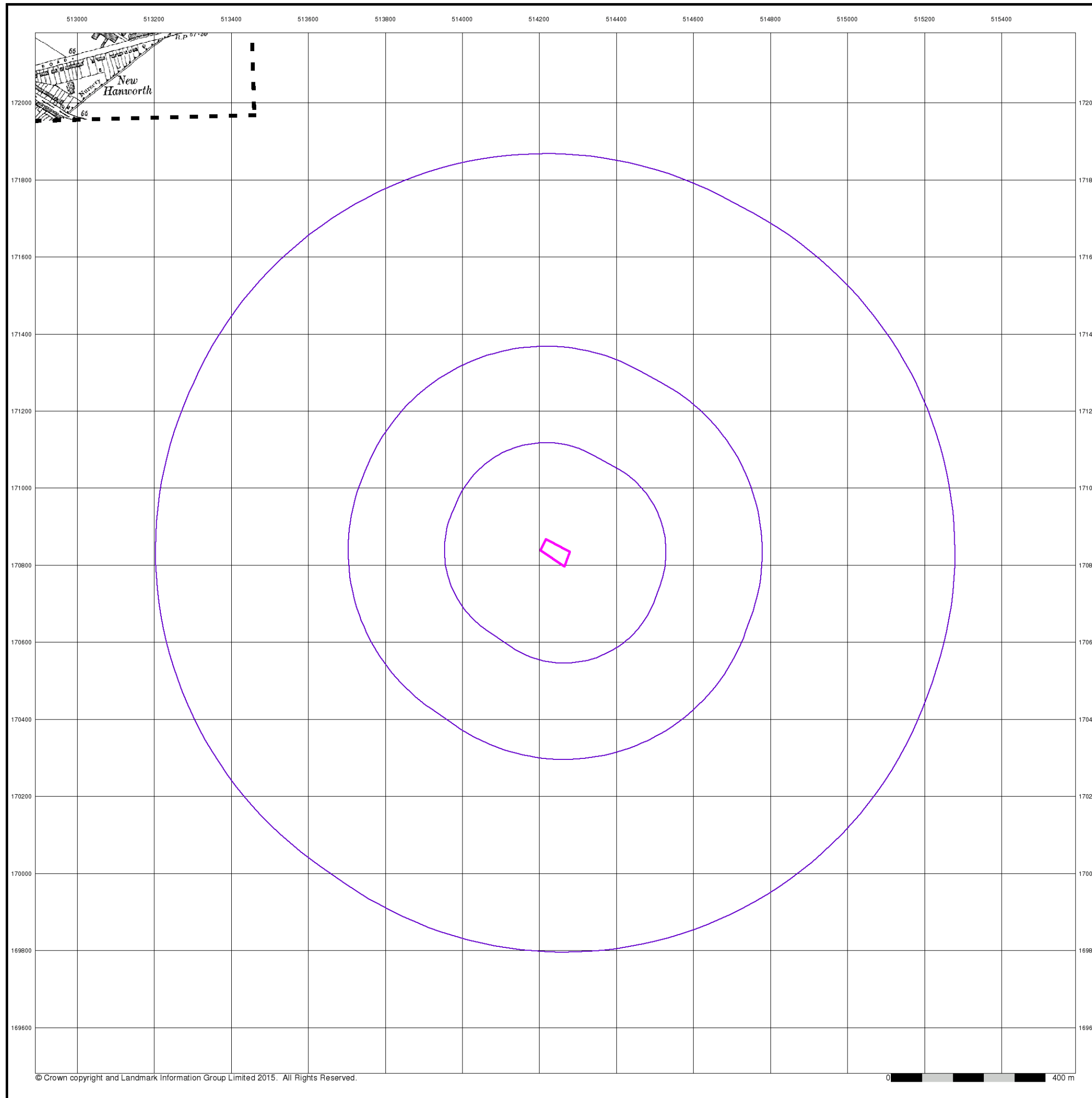


### Order Details

Order Number: 85332498\_1\_1  
Customer Ref: SL05030  
National Grid Reference: 514240, 170830  
Slice: A  
Site Area (Ha): 0.27  
Search Buffer (m): 1000

### Site Details

Flat, 64 High Street, Hampton Hill, HAMPTON, Middlesex, TW12 1PD



Surrey

Published 1938

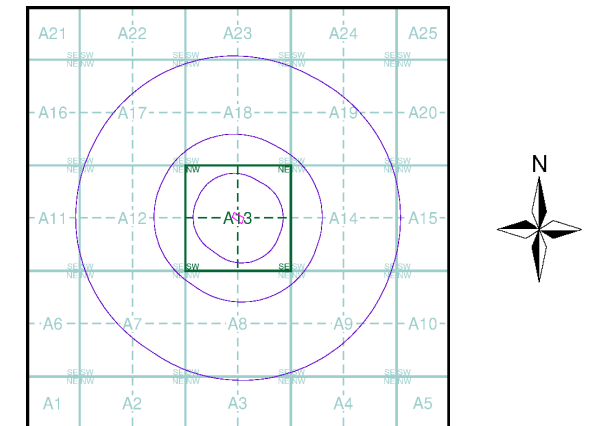
Source map scale - 1:10,560

The historical maps shown were reproduced from maps predominantly held at the scale adopted for England, Wales and Scotland in the 1840's. In 1854 the 1:2,500 scale was adopted for mapping urban areas; these maps were used to update the 1:10,560 maps. The published date given therefore is often some years later than the surveyed date. Before 1938, all OS maps were based on the Cassini Projection, with independent surveys of a single county or group of counties, giving rise to significant inaccuracies in outlying areas. In the late 1940's, a Provisional Edition was produced, which updated the 1:10,560 mapping from a number of sources. The maps appear unfinished - with all military camps and other strategic sites removed. These maps were initially overprinted with the National Grid. In 1970, the first 1:10,000 maps were produced using the Transverse Mercator Projection. The revision process continued until recently, with new editions appearing every 10 years or so for urban areas.

Map Name(s) and Date(s)

006NE	1938	1:10,560
006SW	1938	1:10,560
006SE	1938	1:10,560

Historical Map - Slice A



Order Details

Order Number: 85332498\_1\_1  
 Customer Ref: SL05030  
 National Grid Reference: 514240, 170830  
 Slice: A  
 Site Area (Ha): 0.27  
 Search Buffer (m): 1000

Site Details

Flat, 64 High Street, Hampton Hill, HAMPTON, Middlesex, TW12 1PD

