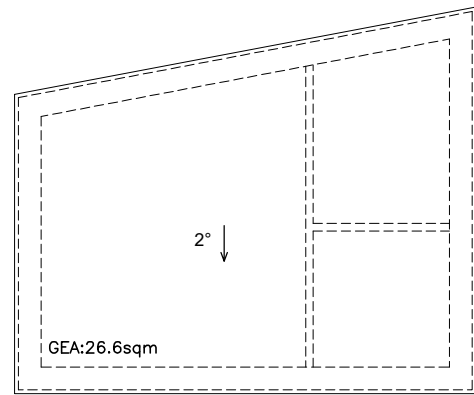
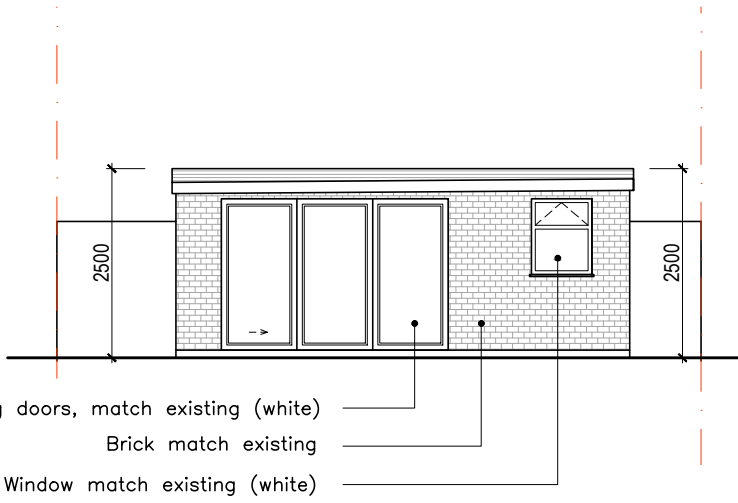


PROPOSED GROUND FLOOR PLAN

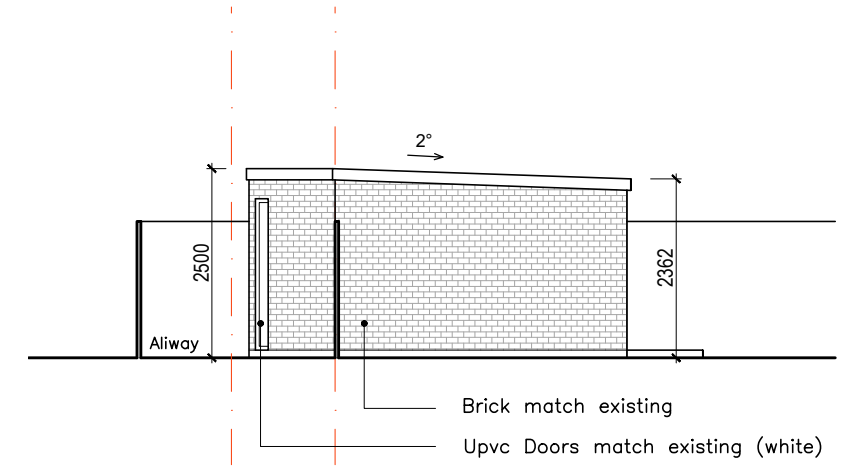


PROPOSED ROOF PLAN

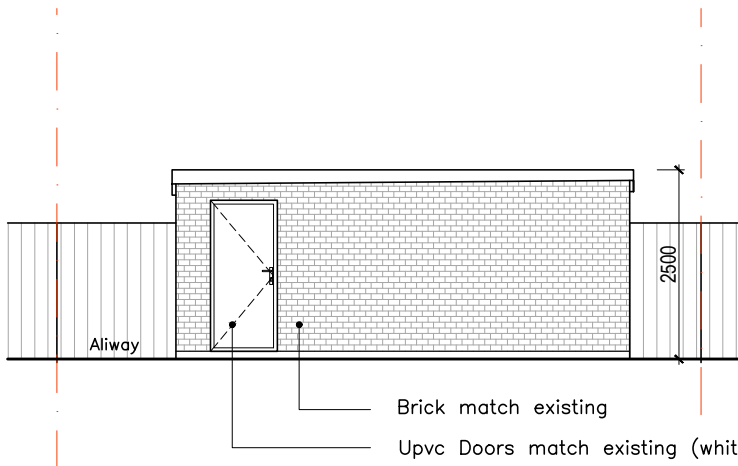


Upvc Bi-Folding doors, match existing (white)
 Brick match existing
 Upvc Window match existing (white)

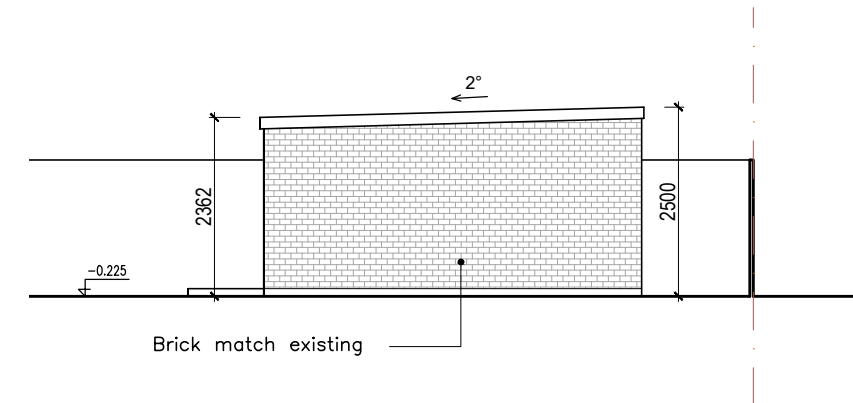
PROPOSED FRONT ELEVATION



PROPOSED SIDE ELEVATION

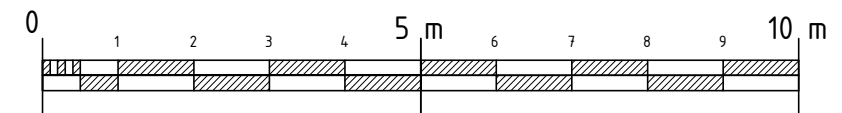


PROPOSED REAR ELEVATION (FROM ALIWAY)



PROPOSED SIDE ELEVATION

LEGEND:
 [Grey Box] EXISTING WALLS
 [Hatched Box] PROPOSED WALLS



Disclaimer: Do not scale from this drawing. Check all dimensions on site before fabrication or setting out. This document is copyright and may not be reproduced without permission of the owner. Notes: All dimensions in millimeters.	Rev: 00 Notes: Planning Submission	Date: 16.04.2021 Dwn: PL Iss: MG	Author: Maria Golasowska M Eng, Dip Arch, BA (Hons) ARB no. 077808G Director, MGDC Ltd. M: 077 3138 7952	Consultants:	Client: Mr Met Muja 47 Rectory Grove Hampton, TW12 1AH London	Key / Location: 	 Maria Golasowska Design Consultancy MGDC LTD [Architecture] [Interior Design] 246 Watson Heights Chelmsford, CM1 1AP United Kingdom T: +44 (0) 20 3715 7751 E: office@mgdc.info	Project: Single storey rear extension, Loft conversion and construction of Outbuilding Drawing Title: Proposed Outhouse plans and Elevations	Drawn By: PL Project No: EXT-TW-A-047 Drawing No: A-EX-TW-047-PL-150	Issued By: MG Date of First Issue: 16.04.2021 Scale @ A3: 1:100 Revision: 00
--	---------------------------------------	--	--	--------------	--	---------------------	---	---	--	---