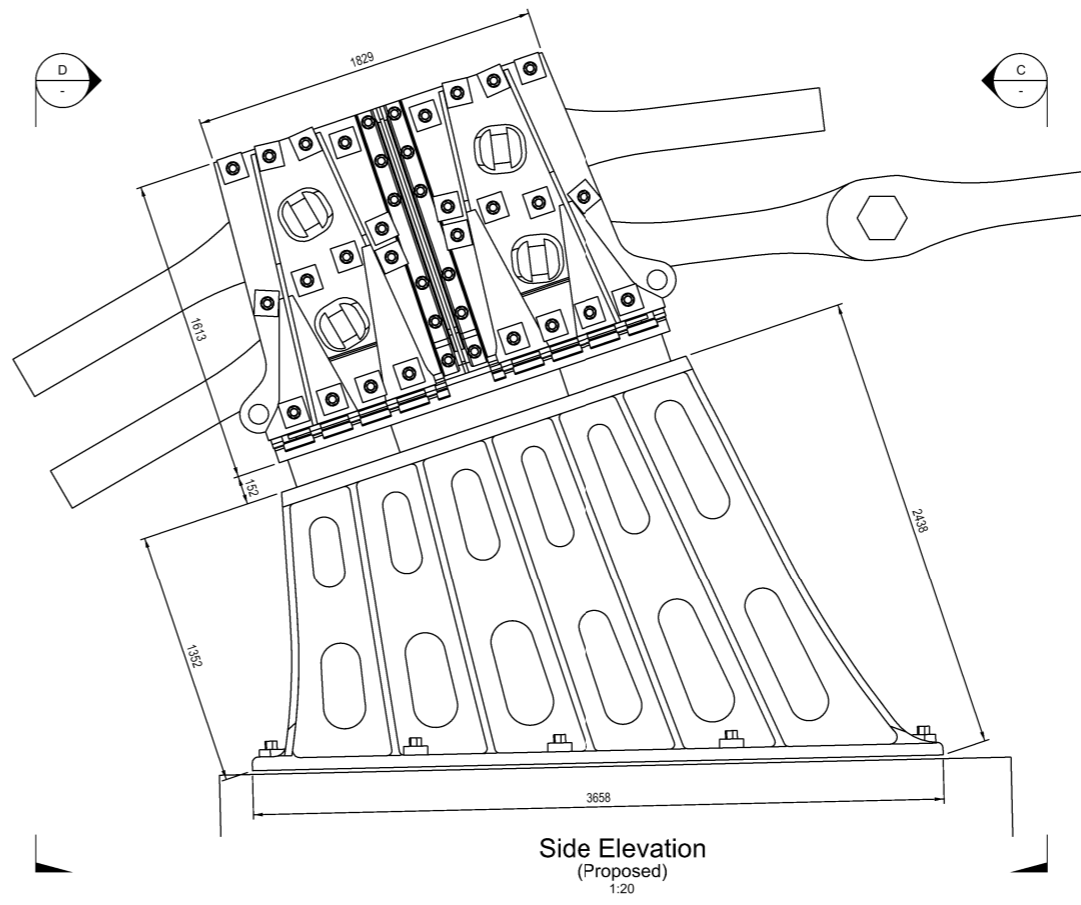
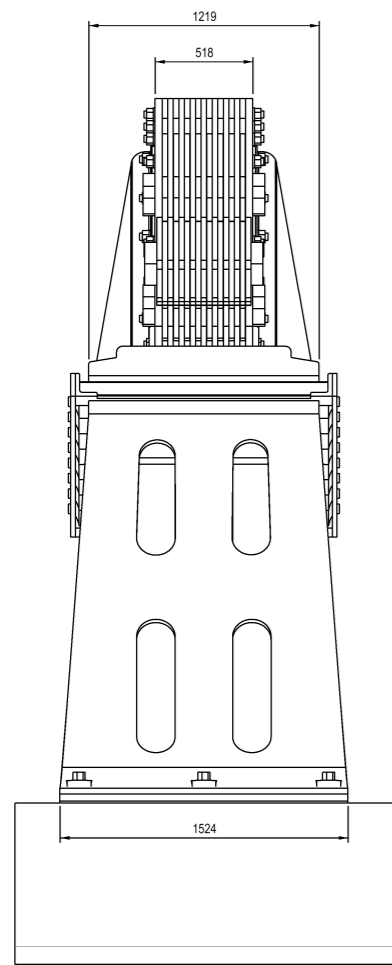


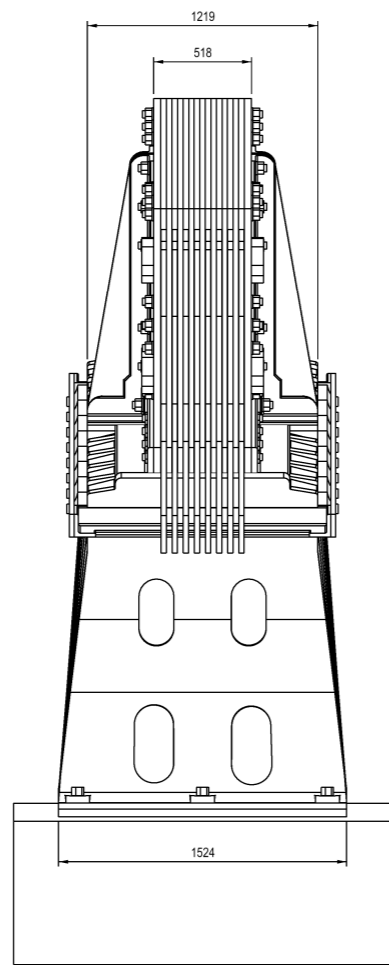
Side Elevation  
(Existing)  
1:20



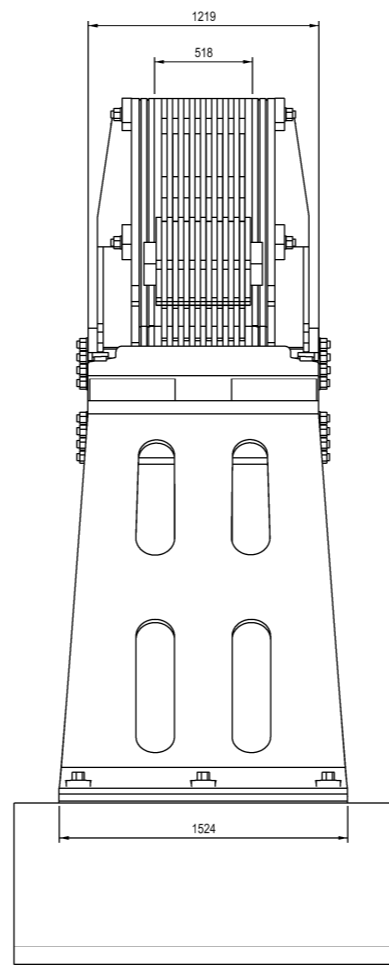
Side Elevation  
(Proposed)  
1:20



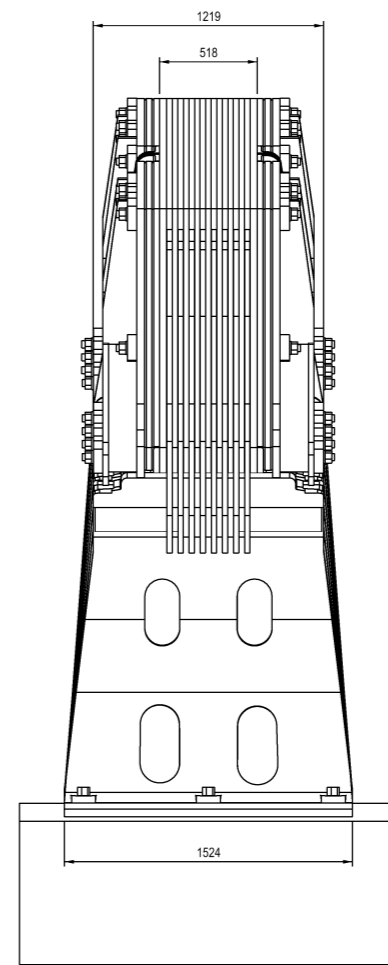
Elevation A  
1:20



Elevation B  
1:20



Elevation C  
1:20



Elevation D  
1:20



Notes

- All dimensions are in mm unless noted otherwise.

Key to symbols

Reference drawings

Rev	Date	Drawn	Description	Ch'k'd	App'd
P01	03/12/21	AJS	Preliminary	RF	TA

**MOTT MACDONALD**

Mott MacDonald House  
8-10 Sydenham Road  
Croydon, CR0 2EE  
United Kingdom

T +44 (0)20 8774 2000  
F +44 (0)20 8681 5706  
W mottmac.com

Client  
**London Borough of Hammersmith & Fulham**

**h&f**  
hammersmith & fulham

Title  
**Hammersmith Bridge  
Pedestal Stabilisation  
Existing and Proposed Elevations**

Designed	R.Foster	Eng check	R.Rusev
Drawn	A.Scott	Coordination	C.Eddy
Dwg check	T.Hughes	Approved	T.Abbott

Scale at A1	Status	Rev	Security
1:20	PRE	P01	STD

Drawing Number  
**105098-MMD-XX-00-DR-C-0061**