

NOTES

ALL WORKS TO BE CARRIED OUT IN ACCORDANCE WITH CURRENT BUILDING REGULATIONS.

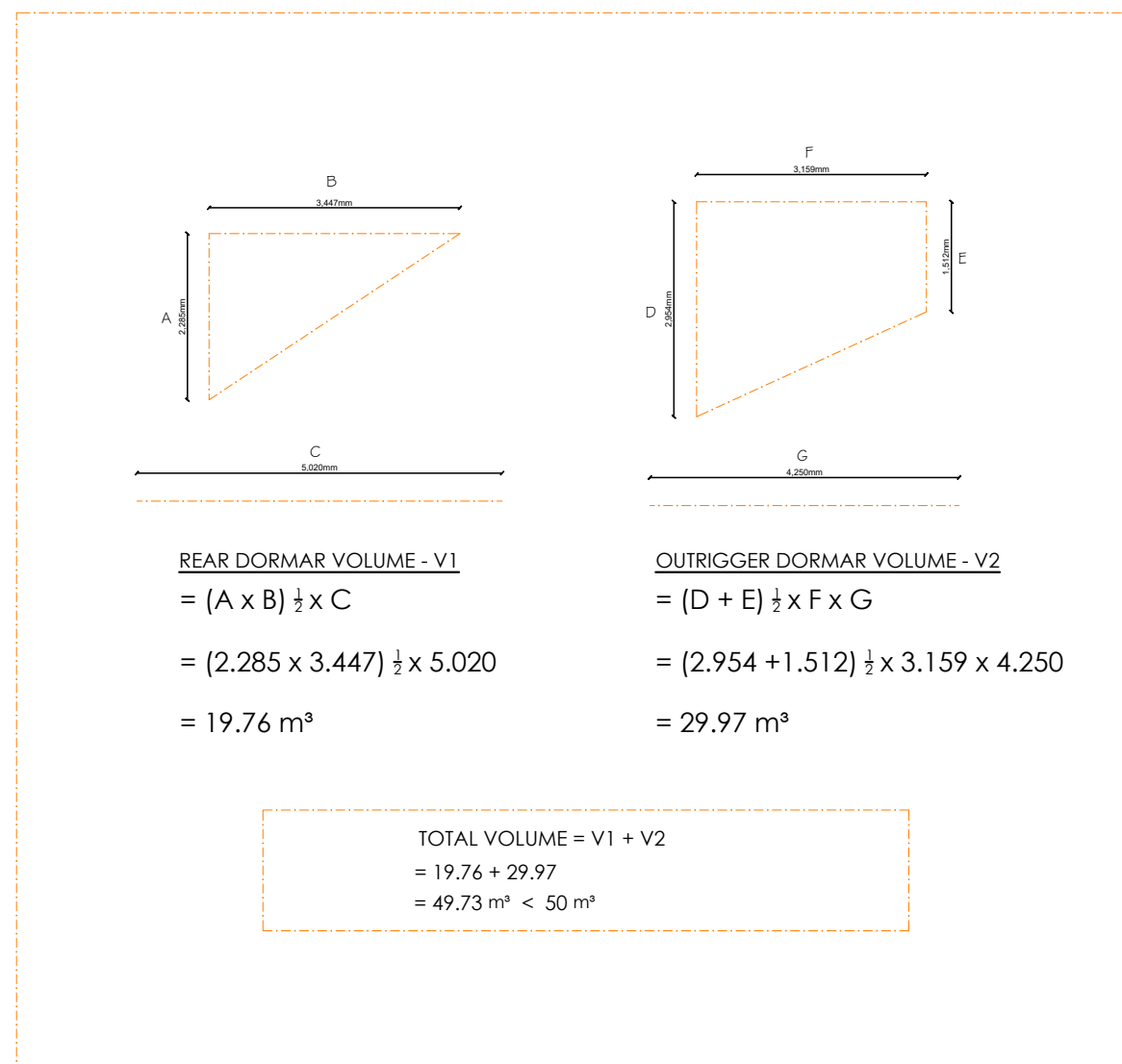
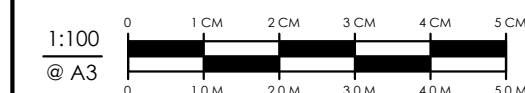
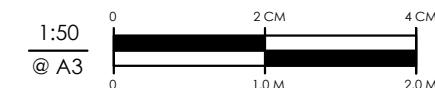
ALL DIMENSIONS / LEVELS TO BE CHECKED AND VERIFIED ON SITE BEFORE COMMENCING ANY WORK AND ANY DISCREPANCIES TO BE REPORTED TO THE OFFICE IMMEDIATELY.

THIS DRAWING TO BE READ IN CONJUNCTION WITH CONTRACT DOCUMENTS, PROJECT WORKING DRAWINGS, SPECIFICATION, ALL CONSULTANTS / SPECIALIST DRAWINGS, DETAILS AND SPECIFICATION.

ALL MATERIALS TO BE USED IN THE CONSTRUCTION OF THE EXTERNAL SURFACES OF THE NEW WORKS SHALL MATCH THOSE IN THE EXISTING BUILDING.

DO NOT SCALE FROM THIS DRAWING. ONLY FIGURED DIMENSIONS TO BE TAKEN EXCEPT FOR PLANNING PURPOSE

THIS DRAWING WHICH IS THE PROPERTY OF STAR DESIGN SOLUTIONS LTD IS THE SUBJECT OF INTELLECTUAL PROPERTY RIGHTS INCLUDING COPYRIGHT AND DESIGN RIGHT AND SHALL NOT BE REPRODUCED, COPIED, LOANED OR SUBMITTED TO ANY OTHER PARTY WITHOUT THE WRITTEN CONSENT OF STAR DESIGN SOLUTIONS LTD.



Star Design Solutions

www.starda.co.uk

0208 432 0807 - info@starda.co.uk

Architectural, Engineering & Building Services



CLIENT:

MARIA FURFARO

SITE:

26 ATBARA ROAD
TEDDINGTON, TW11 9PD

JOB TITLE:

LOFT CONVERSION & GROUND FLOOR
INTERNAL WALL REMOVAL

DRAWING TITLE:

VOLUME CALCULATION

SCALE:

1:100

DATE:

OCTOBER 2021

JOB NUMBER:

DRAWING NUMBER:

13/13

DRAUGHTSMAN:

SDS

REV:

B

COPYRIGHT RESERVED