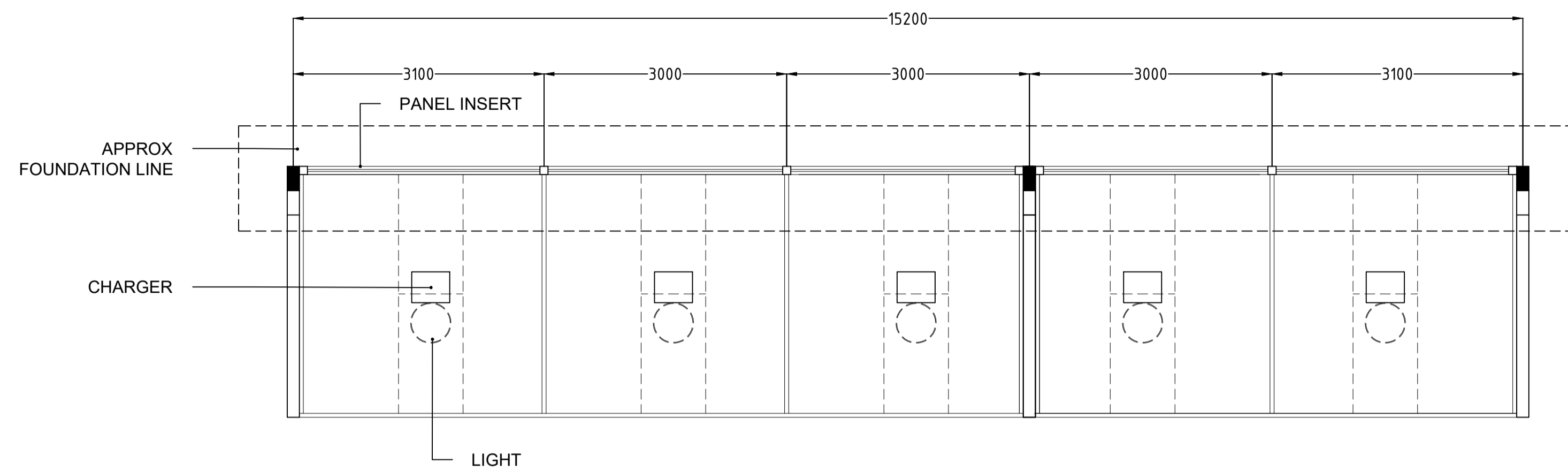


DRAWING NOTES

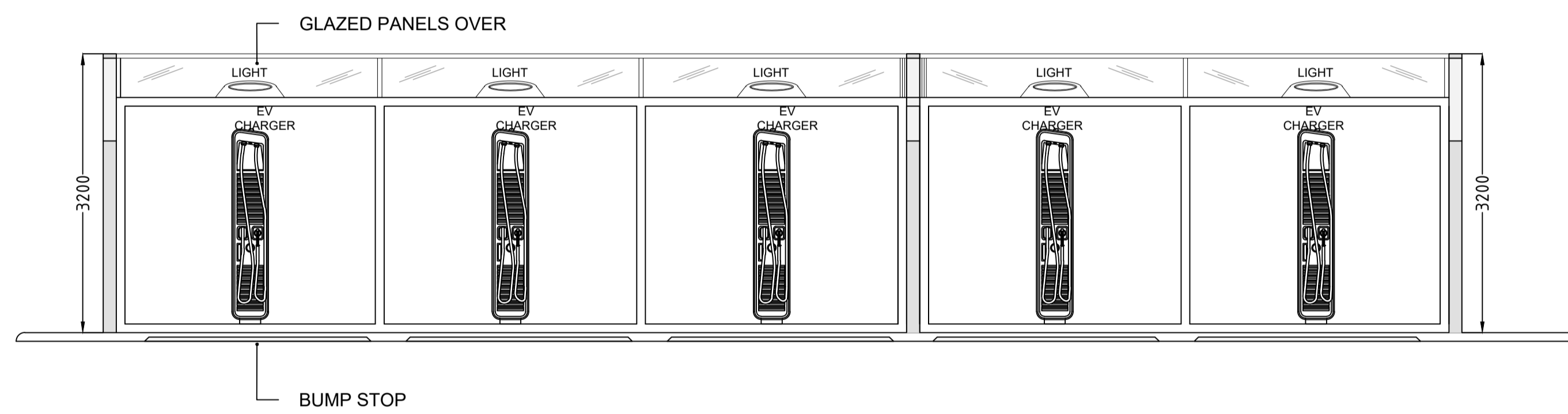
COPYRIGHT ©
 This drawing and the details herein are the copyright of MBH Design Studio Ltd. and must not be reproduced, altered or passed to any third party without prior written consent.
 This drawing has been produced for the project listed below, is submitted in support of this application to the Local Planning Authority and is not intended for use by any other person or for any other purpose.
 Every effort has been made to ensure the accuracy of these drawings, however MBH Design Studio Ltd. accept no responsibility for any discrepancies arising from the reuse of survey information and preliminary drawings commissioned by the Applicant from others.

Materials
 Structure steel framework powder coated covering with graphics
 Reinforced glazed canopy top

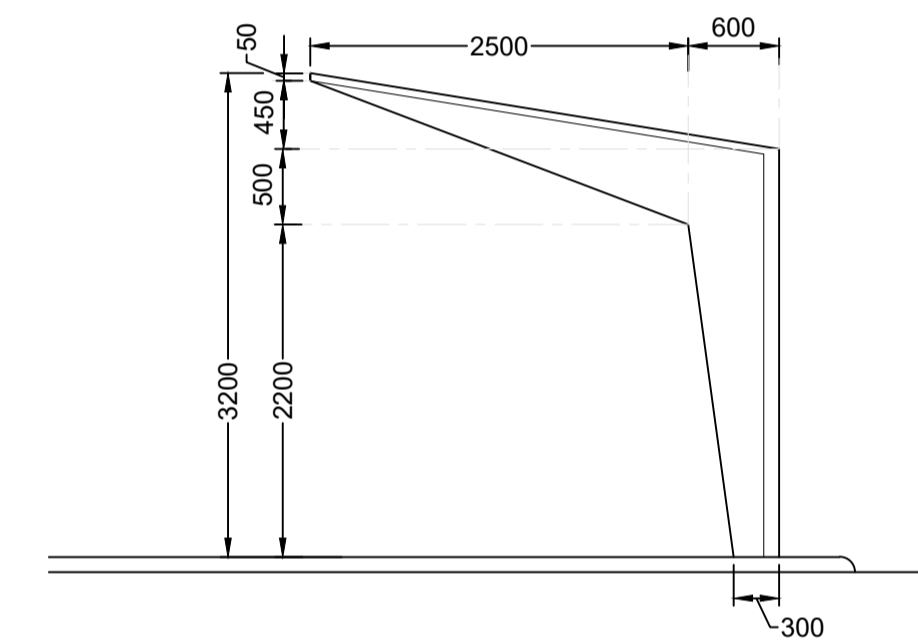
Lighting
 LED Down lights to achieve 100 lux on each bay



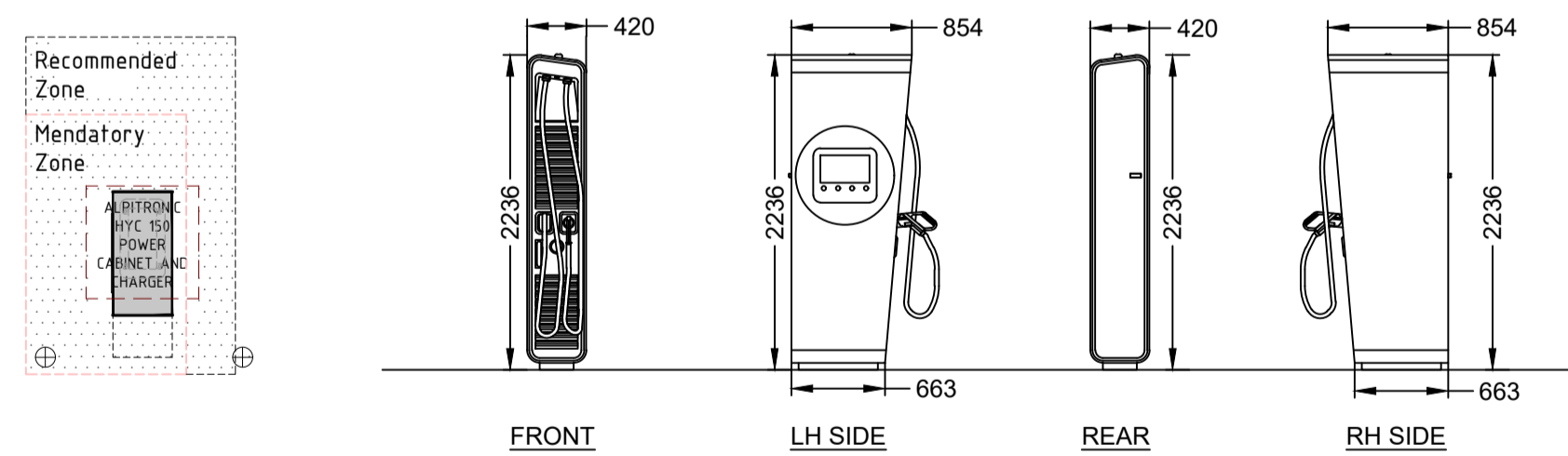
EV CANOPY- PLAN
 Scale 1:50



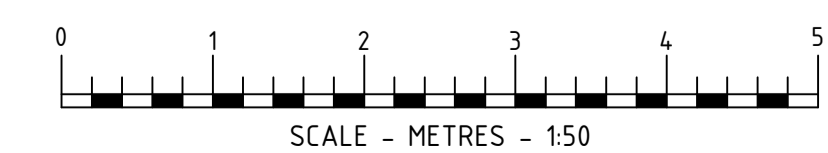
EV CANOPY FRONT ELEVATION
 Scale 1:50



EV CANOPY SIDE ELEVATION
 Scale 1:50



ALPITRONIC 150 HYC CHARGER
 Scale 1:50



REV	DATE	DESCRIPTION	DRAWN/CHECKED
A	17/02/22	Updated to reflect current scheme	PJM/RRB
REVISION NOTES			
PLANNING			
<small>MBH Design Studio Ltd. Rosemount House, Rosemount Avenue, West Byfleet, Surrey, KT14 6LB www.mbhstd.com t: 01932 352 727 f: 01932 351 545</small>			
CLIENT			
PROJECT			
FS924 - STAINES ROAD SERVICE STATION 110 STAINES ROAD, TWICKENHAM, TW2 5AW			
DRAWING TITLE			
EV CANOPY DETAIL			
DRAWN BY	DATE	SCALE	PAPER SIZE
JP	28.10.2020	1:50	A1
CHECKED BY	DRAWING NUMBER	REV.	
RRB	13664-P05-924	A	