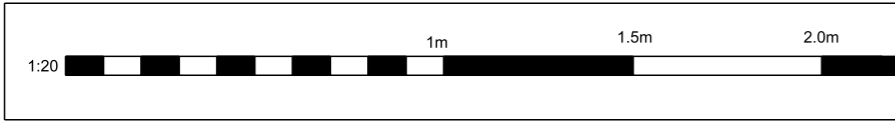
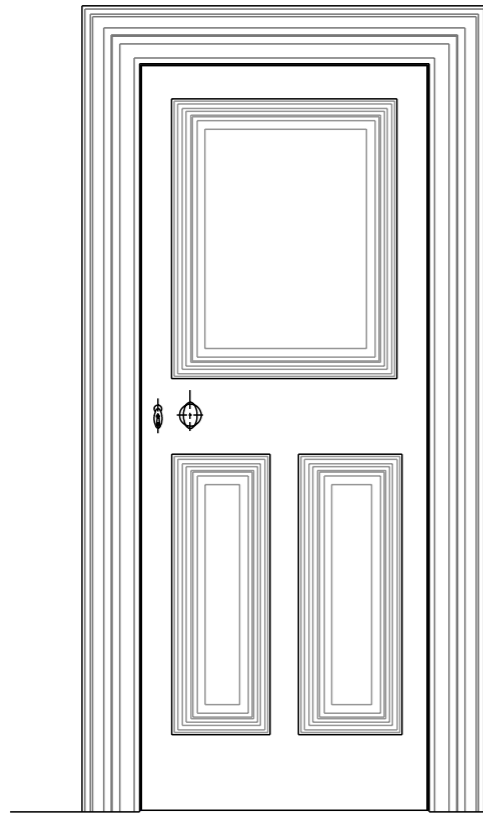


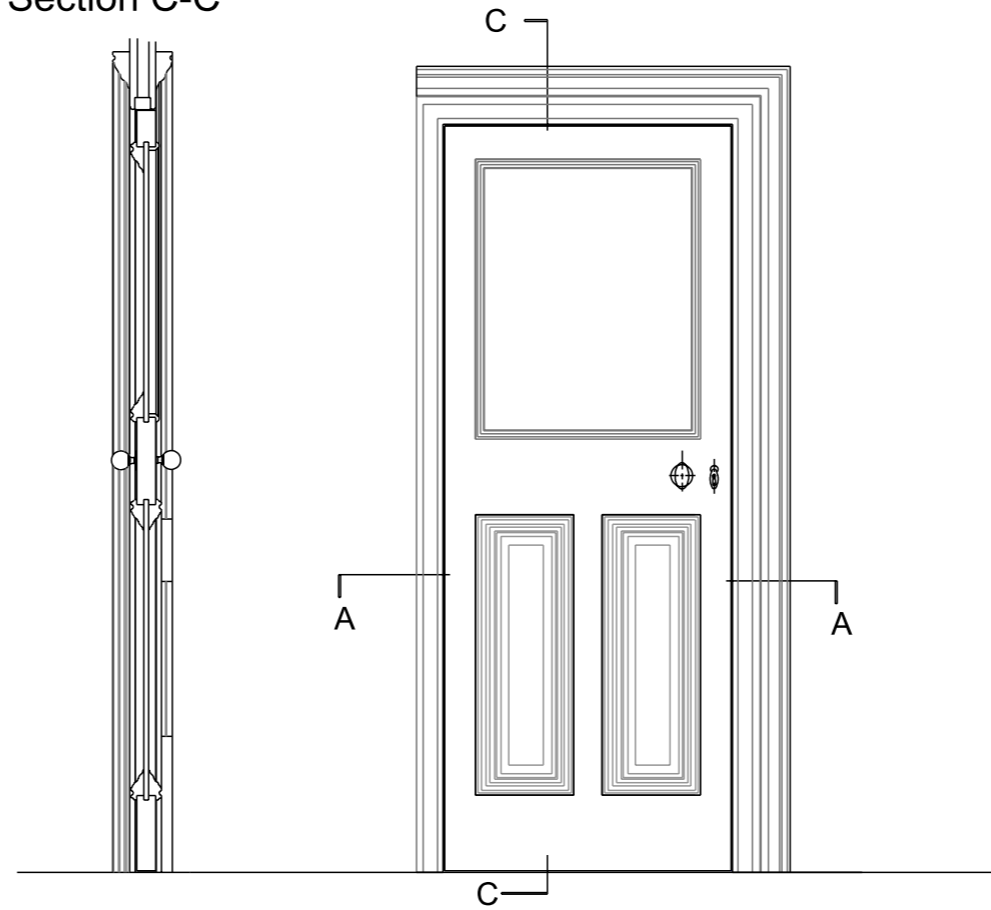
DOOR TO BATHROOM EXISTING ELEVATIONS, PLAN & SECTIONS



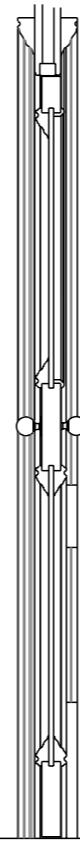
Corridor Side Elevation



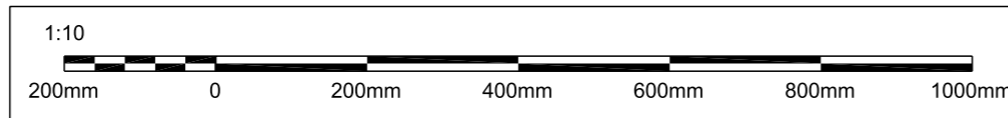
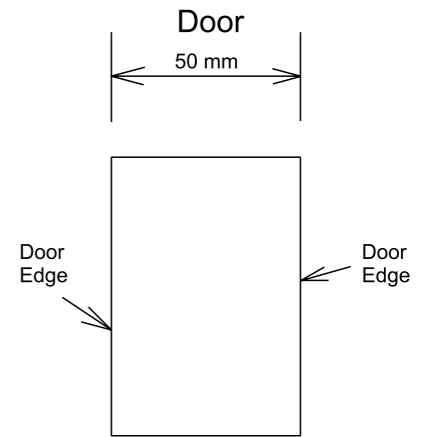
Bathroom Side Elevation



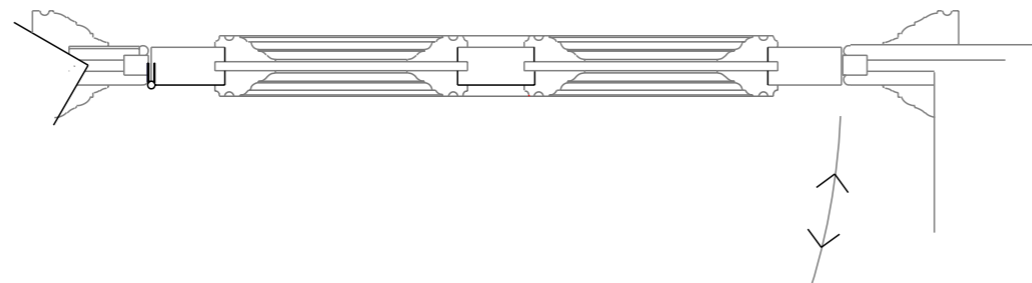
Section C-C



- Design Service
- do not scale use figured dimensions only
 - all dimensions in millimeters unless stated otherwise
 - all dimensions to be checked on site prior to commencement of work
 - errors and omissions to be reported to the contract administrator



Section A-A



rev	date	description	dm	chk
-	-	-	-	-
<p>Richmond and Wandsworth SSA DesignService Hussein El-Bahrawy, RIBA Head of Design Service The Town Hall, Wandsworth High Street, London SW18 2PU Tel. 020 8871 6000</p>				
<p>client 0402: Teddington Library Waldegrave Road, TW11 8NY</p>				
<p>project FIRST FLOOR FLAT Upgrading Doors</p>				
<p>drawing Bathroom Door Existing Elevations, Plan and Sections</p>				
date	drawn	checked	scale	size
08.03.2022	DE	DE	1:20 & 1:10	A3
no	status		revision	
2102-0402-DWG-BDE 001	T		-	

TENDER