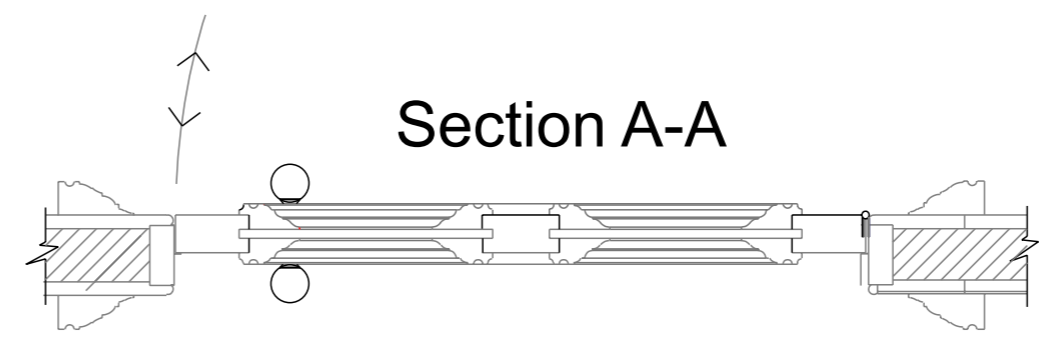
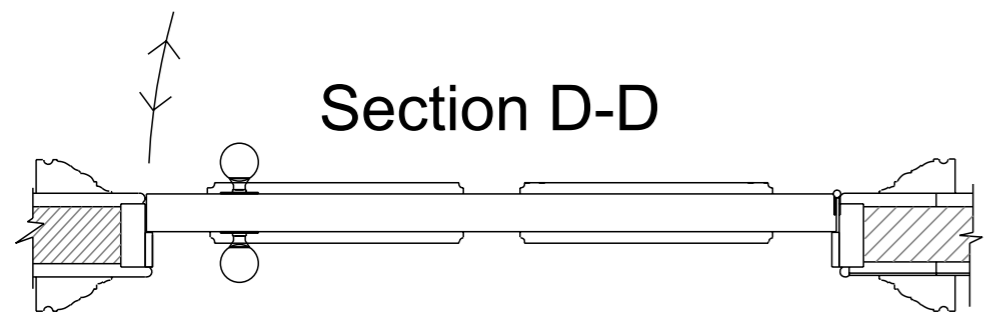
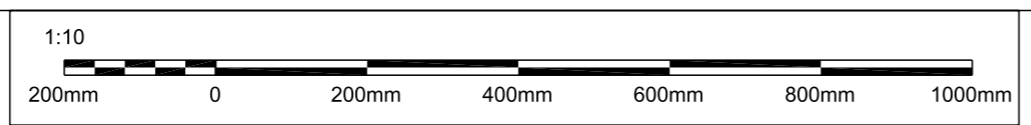
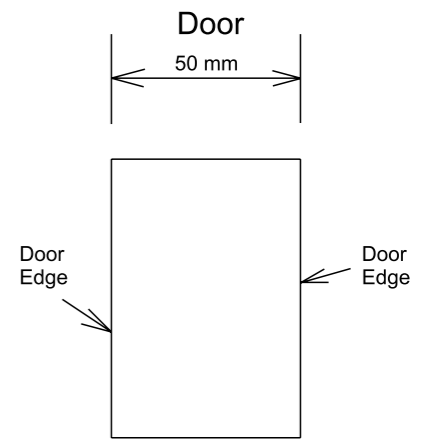
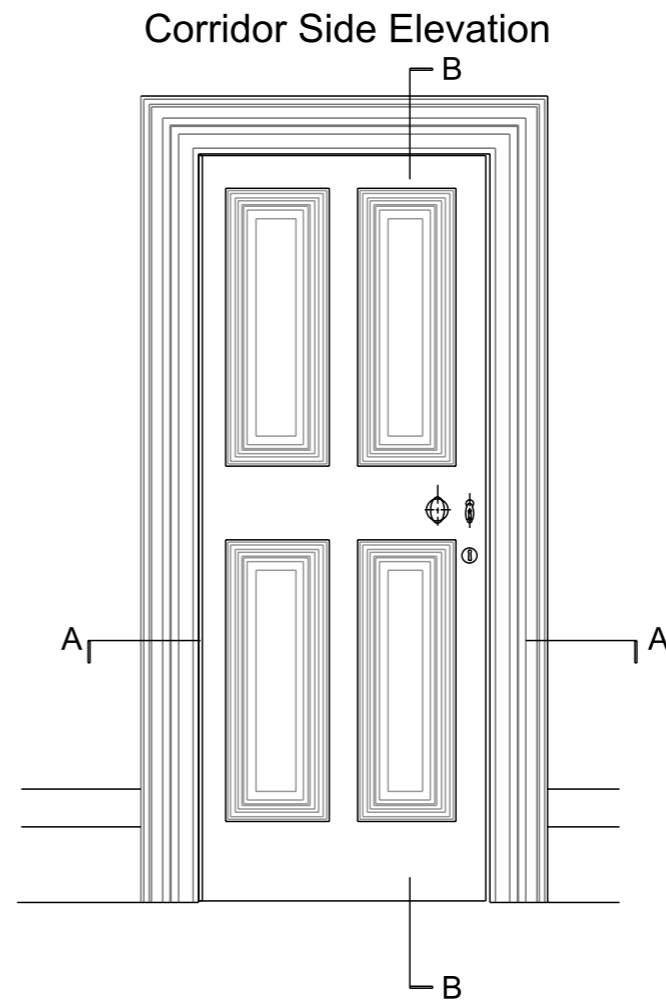
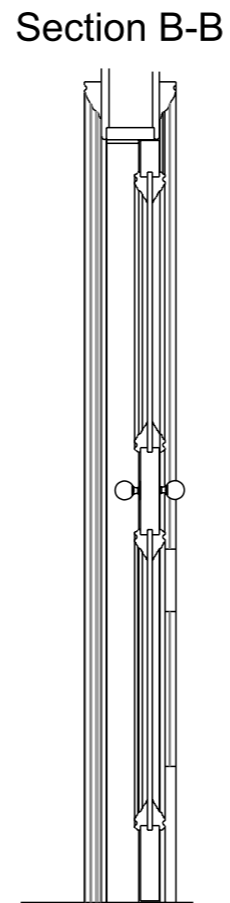
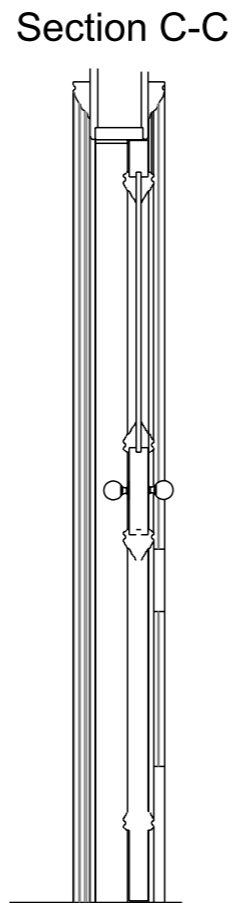
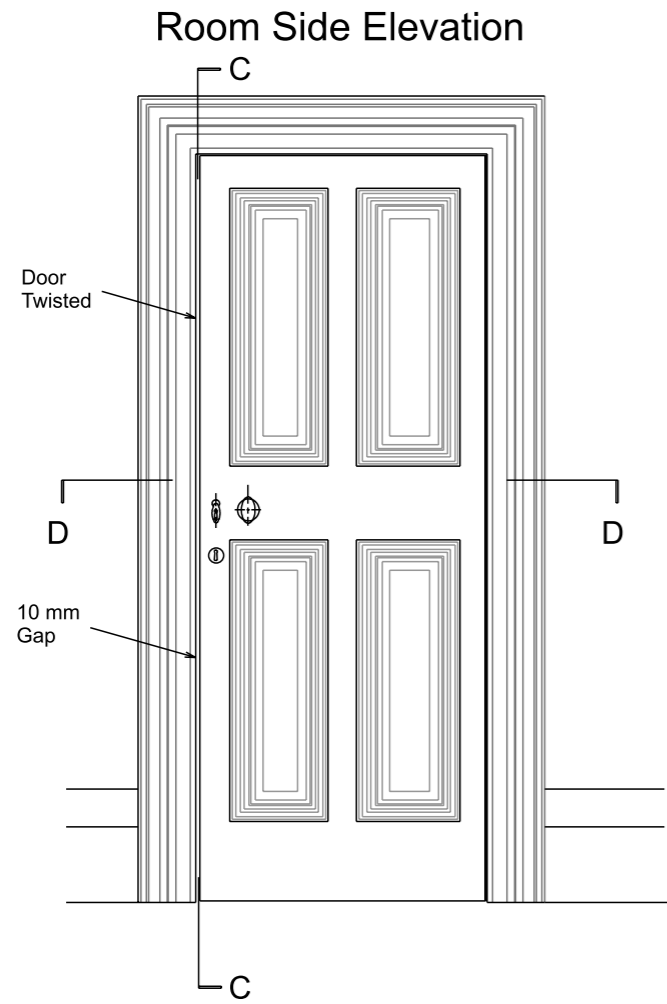


DOOR "C" EXISTING ELEVATIONS, PLAN & SECTIONS

- Design Service
- do not scale use figured dimensions only
 - all dimensions in millimeters unless stated otherwise
 - all dimensions to be checked on site prior to commencement of work
 - errors and omissions to be reported to the contract administrator



| rev | date | description | dm | chk |
|-----|------|-------------|----|-----|
| | | | | |

Richmond and Wandsworth SSA
DesignService
 Hussein El-Bahrawy, RIBA Head of Design Service
 The Town Hall, Wandsworth High Street, London SW18 2PU
 Tel. 020 8871 6000

client
0402: Teddington Library
 Waldegrave Road, TW11 8NY

project
FIRST FLOOR FLAT TO OFFICE CONVERSION

drawing
Door "C"
Existing Elevations, Plan and Sections

| date | drawn | checked | scale | size |
|------------|-------|---------|-------------|------|
| 08.03.2022 | DE | DE | 1:20 & 1:10 | A3 |

| no | status | revision |
|----------------------|--------|----------|
| 2102-0402-DWG-DCE007 | T | - |

TENDER