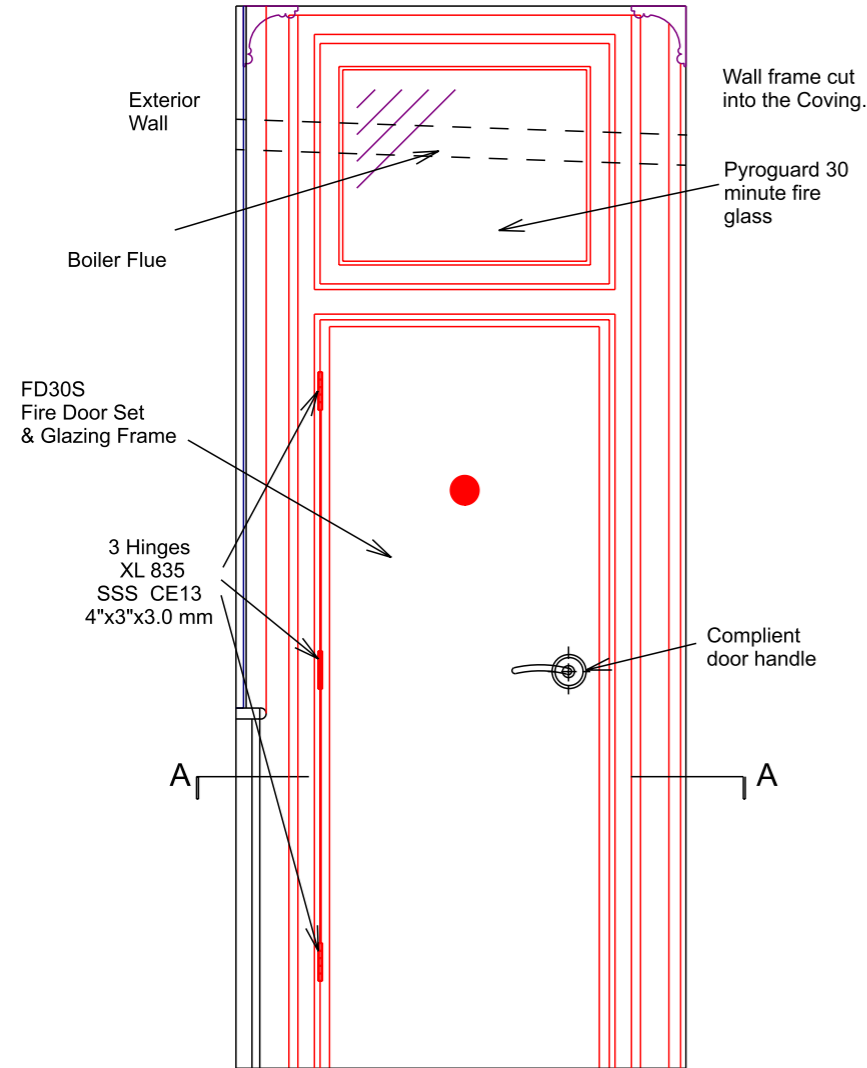


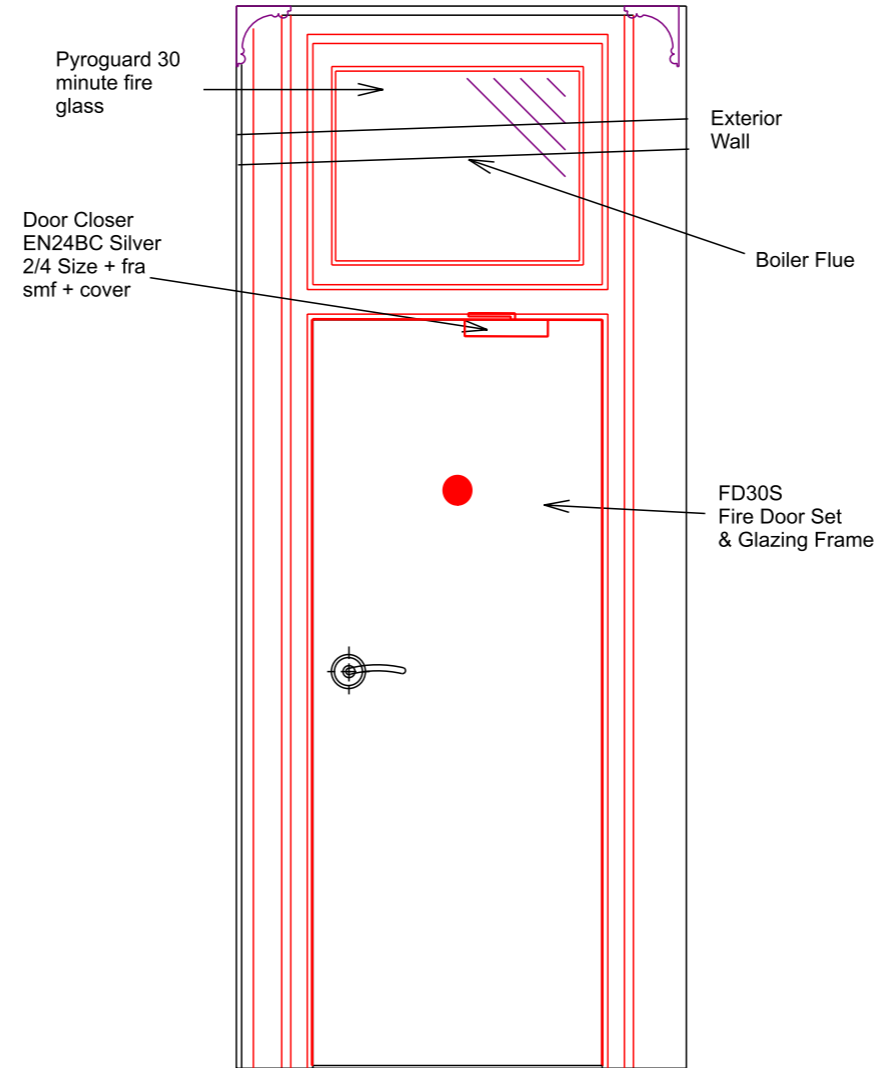
DOOR "D"

EXISTING ELEVATIONS, PLAN & SECTIONS

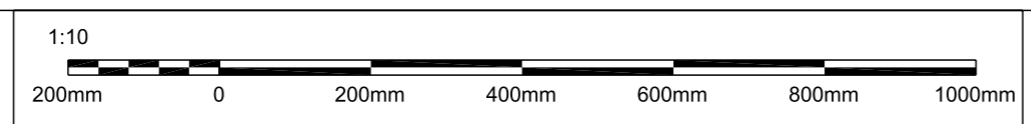
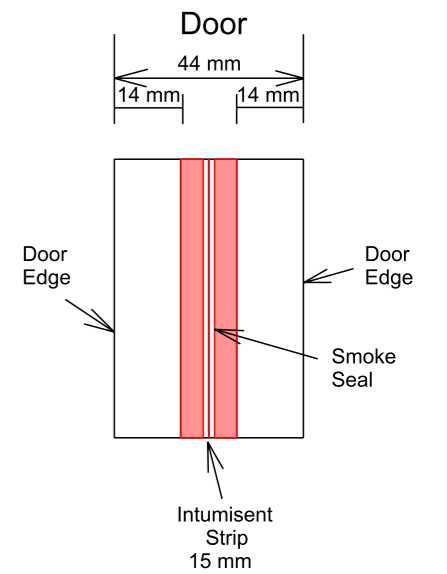
F005 Side of Elevation



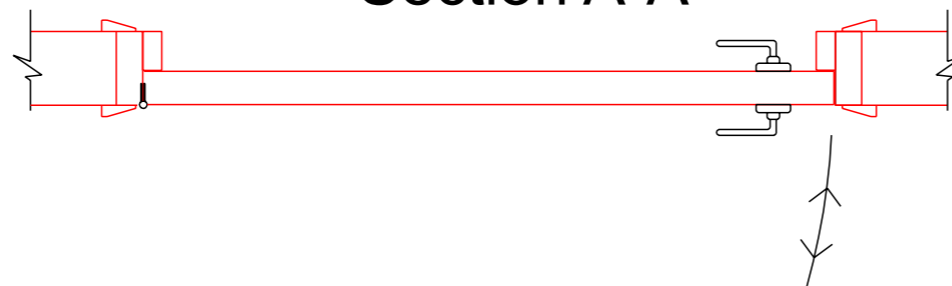
F008 Side of Elevation



- Design Service
- do not scale use figured dimensions only
 - all dimensions in millimeters unless stated otherwise
 - all dimensions to be checked on site prior to commencement of work
 - errors and omissions to be reported to the contract administrator



Section A-A



rev	date	description	dm	chk
-	-	-	-	-

Richmond and Wandsworth SSA
DesignService
 Hussein El-Bahrawy, RIBA Head of Design Service
 The Town Hall, Wandsworth High Street, London SW18 2PU
 Tel. 020 8871 6000

client
0402: Teddington Library
 Waldegrave Road, TW11 8NY

project
FIRST FLOOR FLAT TO
OFFICE CONVERSION

drawing
Door "D"
Proposed Elev., Plan and Sections

date	drawn	checked	scale	size
11.03.2022	DE	DE	1:20 & 1:10	A3
no	status		revision	
2102-0402-DWG-DDP010	T		-	

TENDER