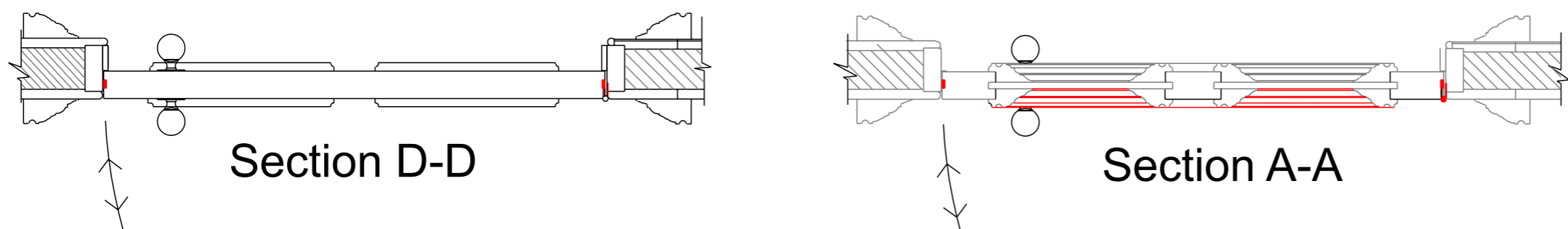
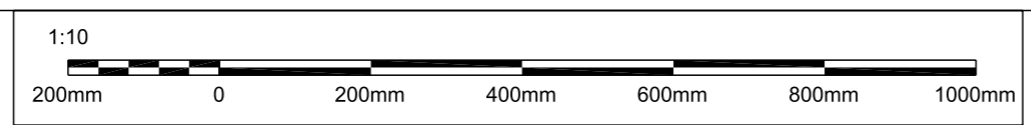
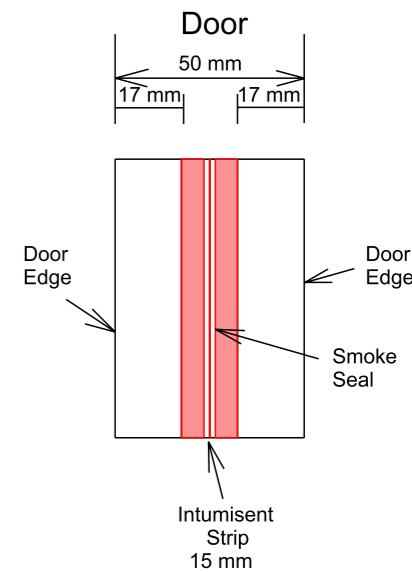
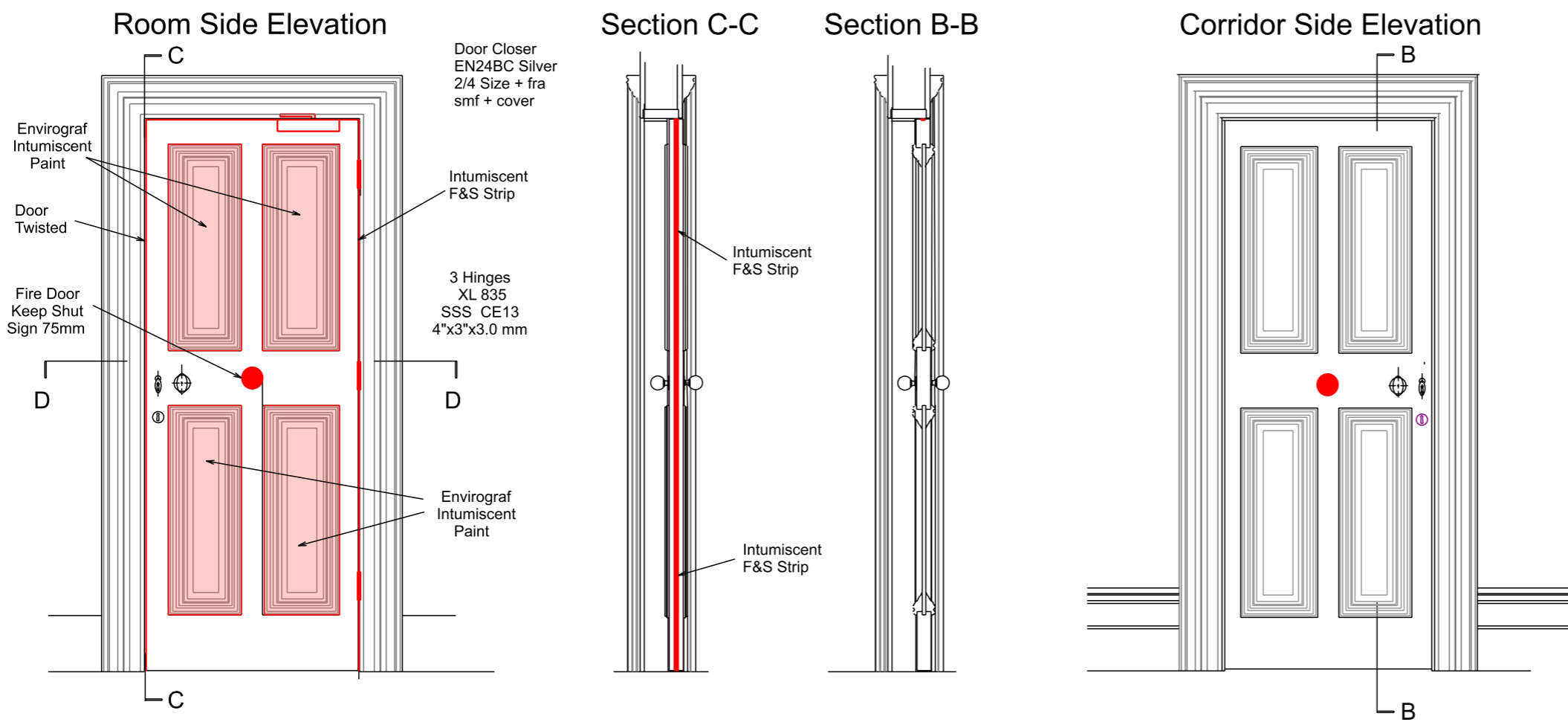




DOOR "F"

PROPOSED ELEVATIONS, PLAN & SECTIONS

- Design Service**
- do not scale use figured dimensions only
 - all dimensions in millimeters unless stated otherwise
 - all dimensions to be checked on site prior to commencement of work
 - errors and omissions to be reported to the contract administrator



rev	date	description	dm	chk

Richmond and Wandsworth SSA DesignService
 Hussein El-Bahrawy, RIBA Head of Design Service
 The Town Hall, Wandsworth High Street, London SW18 2PU
 Tel. 020 8871 6000

client
0402: Teddington Library
 Waldegrave Road, TW11 8NY

project
FIRST FLOOR FLAT TO OFFICE CONVERSION

drawing
Door "F"
Proposed Elev., Plan and Sections

date	drawn	checked	scale	size
11.03.2022	DE	DE	1:20 & 1:10	A3

no	status	revision
2102-0402-DWG-DFP012	T	-

TENDER