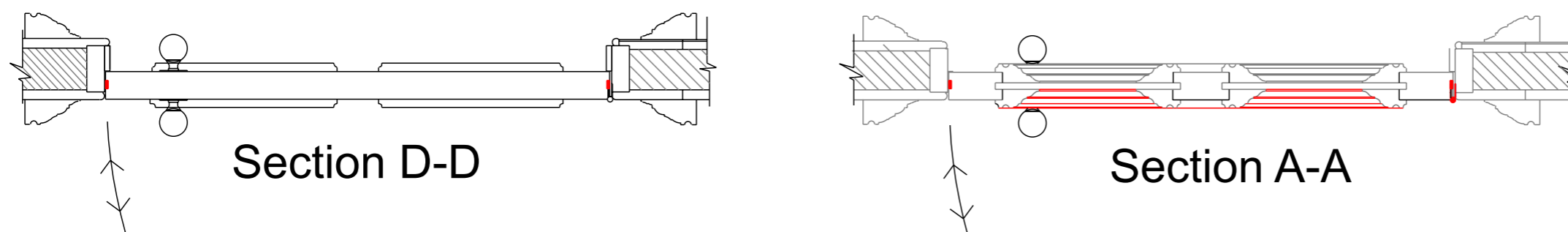
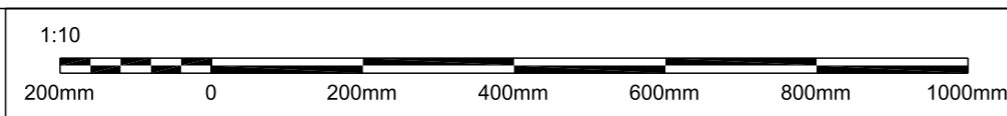
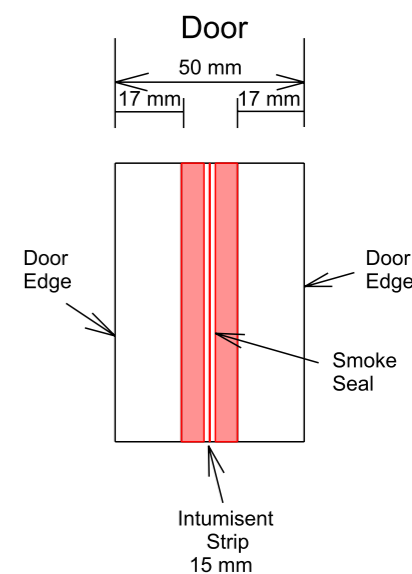
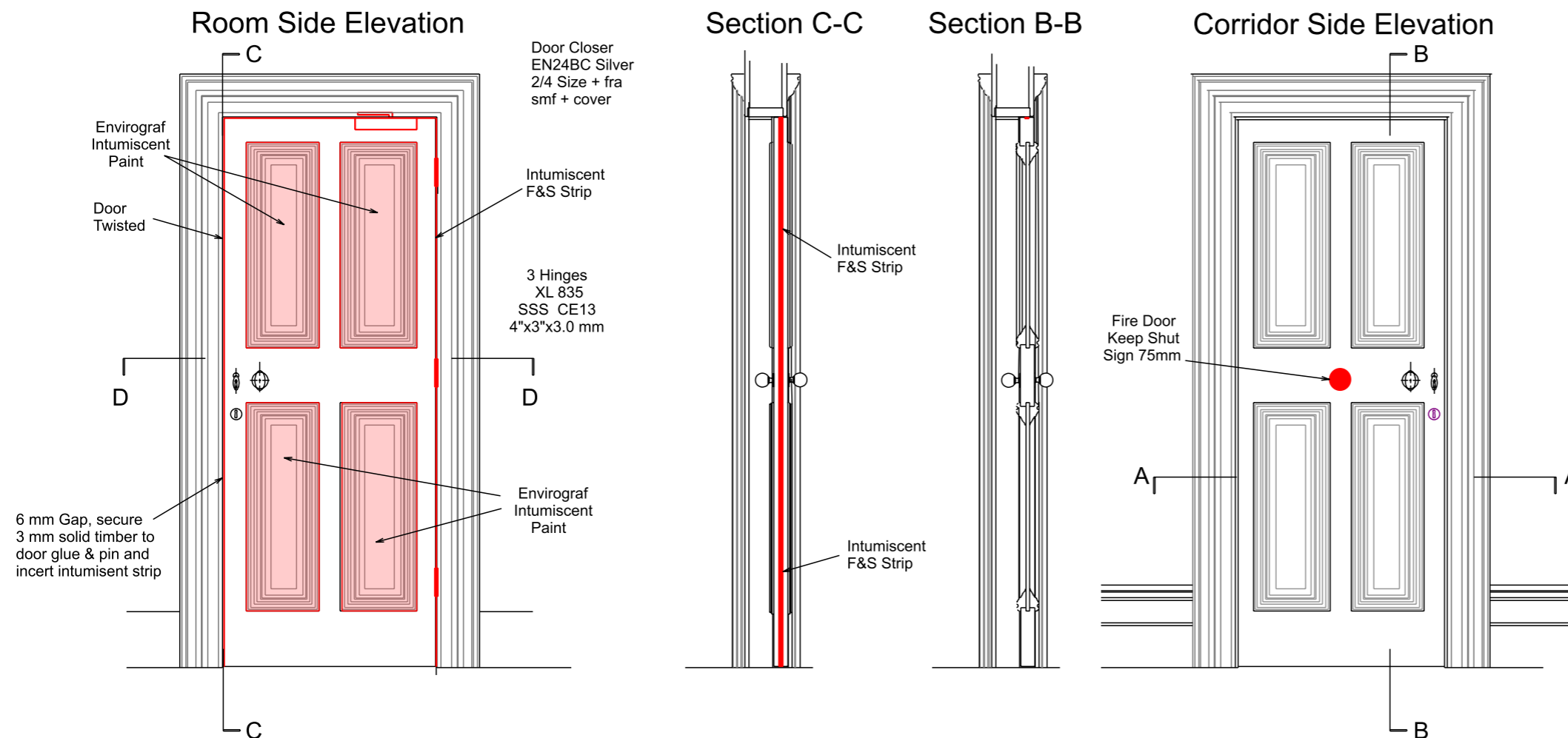




# DOOR "G"

## PROPOSED ELEVATIONS, PLAN & SECTIONS

- Design Service
- do not scale use figured dimensions only
  - all dimensions in millimeters unless stated otherwise
  - all dimensions to be checked on site prior to commencement of work
  - errors and omissions to be reported to the contract administrator



rev	date	description	dm	chk
<b>Richmond and Wandsworth SSA</b>				
<b>DesignService</b>				
<small>Hussein El-Bahrawy, RIBA Head of Design Service The Town Hall, Wandsworth High Street, London SW18 2PU Tel. 020 8871 6000</small>				
client				
<b>0402: Teddington Library</b>				
<b>Waldegrave Road, TW11 8NY</b>				
project				
<b>FIRST FLOOR FLAT TO OFFICE CONVERSION</b>				
drawing				
<b>Door "G"</b>				
<b>Proposed Elev., Plan and Sections</b>				
date	drawn	checked	scale	size
11.03.2022	DE	DE	1:20 & 1:10	A3
no	status		revision	
2101-0402-DWG-03	T		-	

**TENDER**