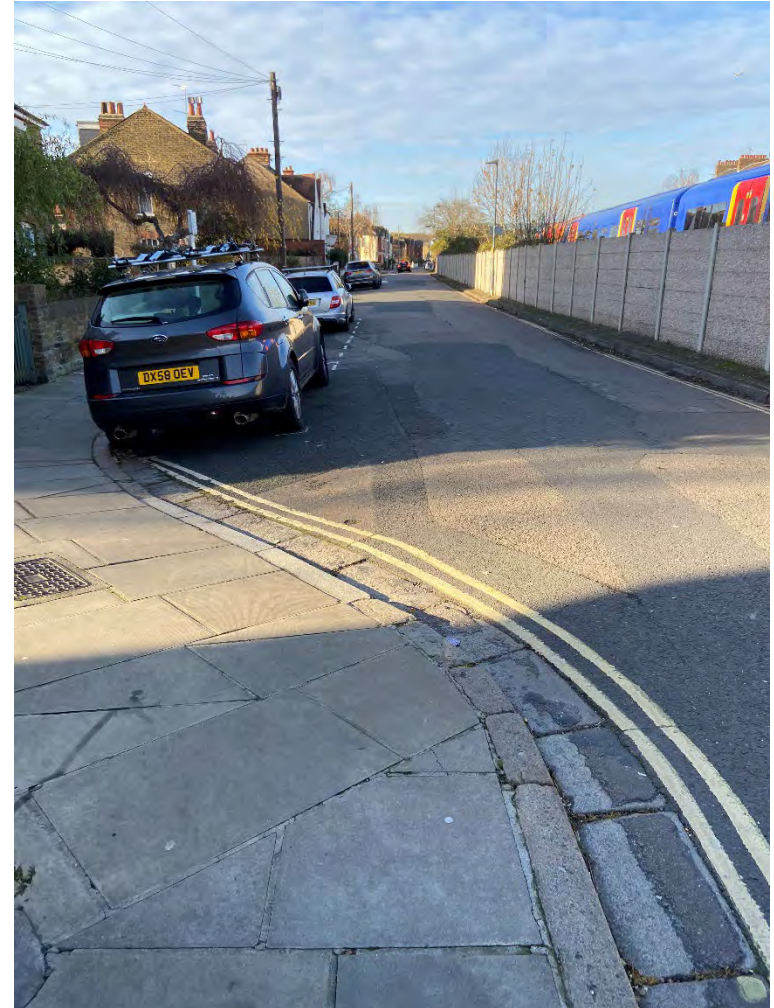


Point 46



Point 47



Point 48



Point 49 (1)



Point 49 (2)



Point 49 (3)



Point 50



Point 51



Point 52



Point 53



Point 54



Point 55



Point 56



Point 57



Point 58



Point 59





Point 60



Point 61



Point 62



Point 63 (1)



Point 63 (2)



Point 64



Point 65 (1)



Point 65 (2)



Point 66



Point 67



Point 68



Point 69



Point 70



Point 71



Point 72



Point 73





Point 74



Point 75



Point 76



Point 77



Point 78 (1)



Point 78 (2)



Point 78 (3)



Point 79



Point 80



Point 81



Point 82



Point 83



Point 84



Point 85

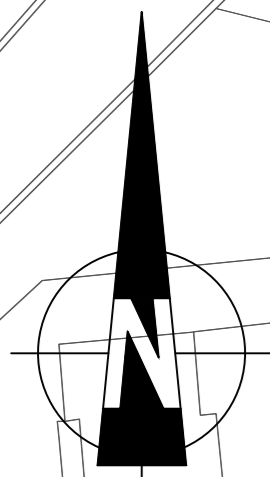






---

# Appendix E Vehicle Routes within Development



WILLIAMS LANE

RIVER THAMES

BLOCK 04

BLOCK 03

BLOCK 02

BLOCK 07

BLOCK 08

BLOCK 11

BLOCK 17

BLOCK 09

BLOCK 06

BLOCK 10

BLOCK 01

LOWER RICHMOND ROAD

MORTLAKE HIGH STREET

MORTLAKE GREEN

SHEEN LANE

BLOCK 19

BLOCK 18

BLOCK 16

BLOCK 15

BLOCK 17

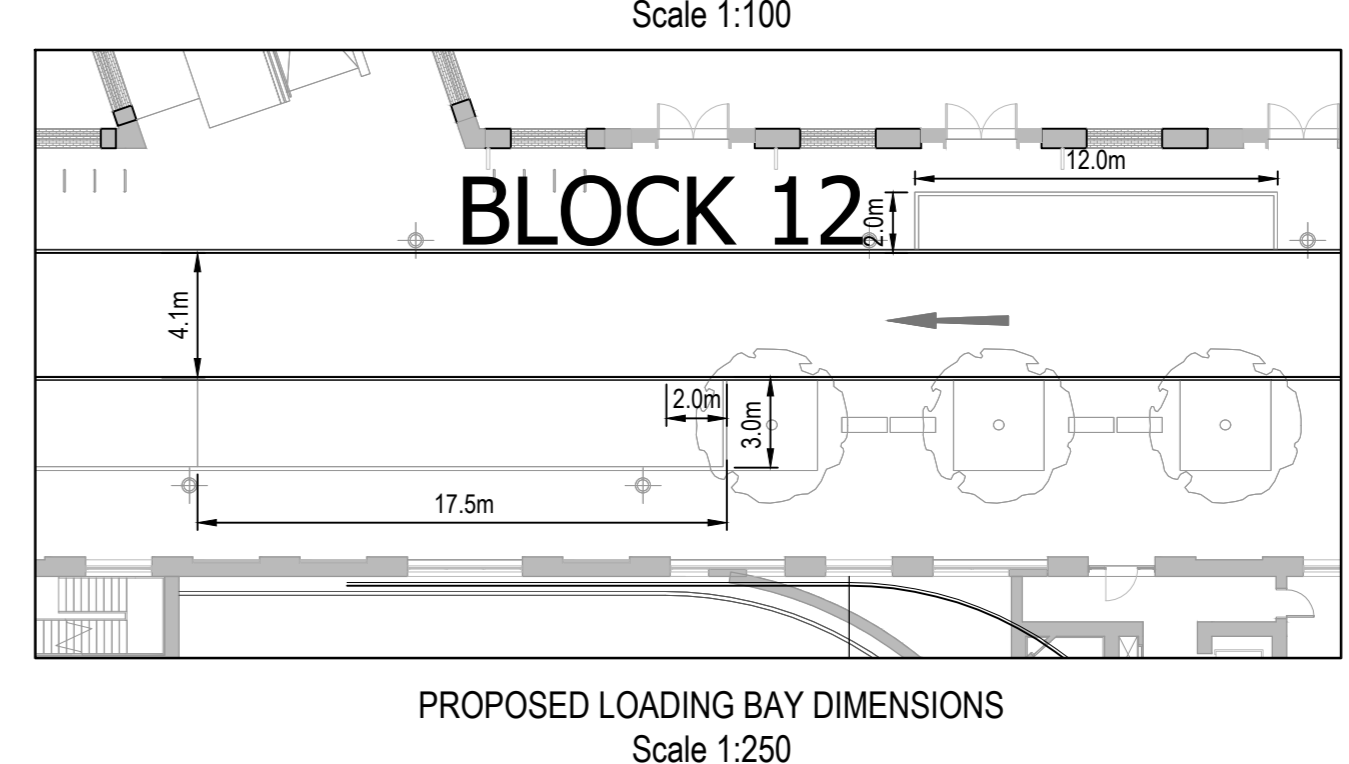
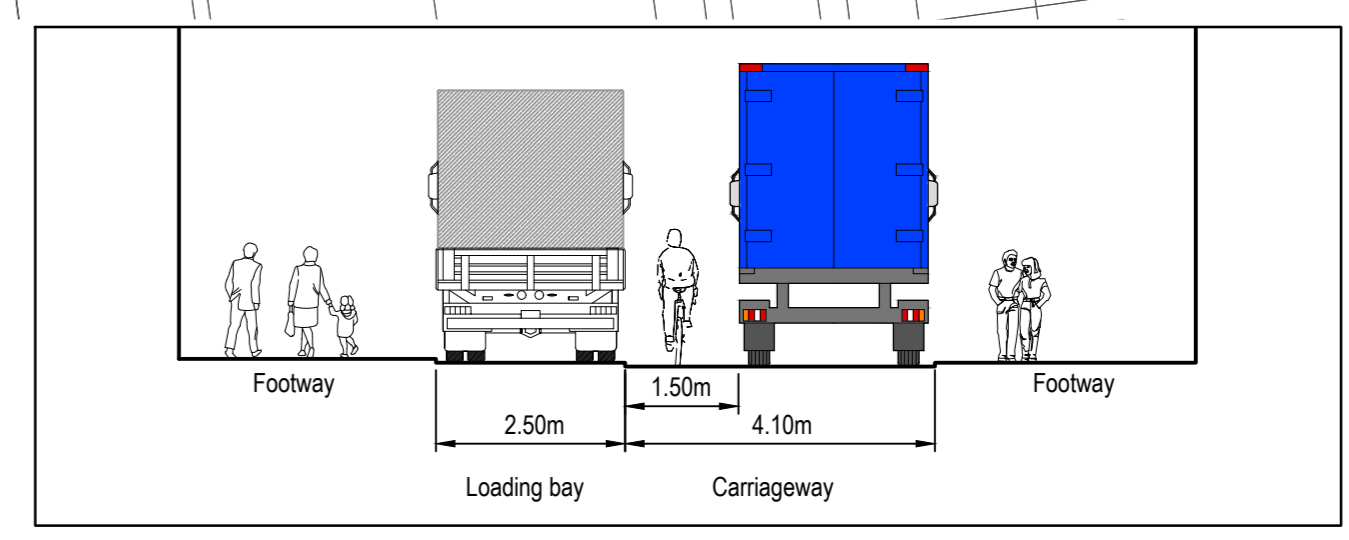
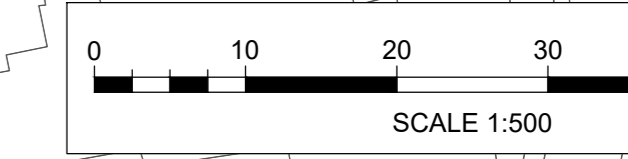
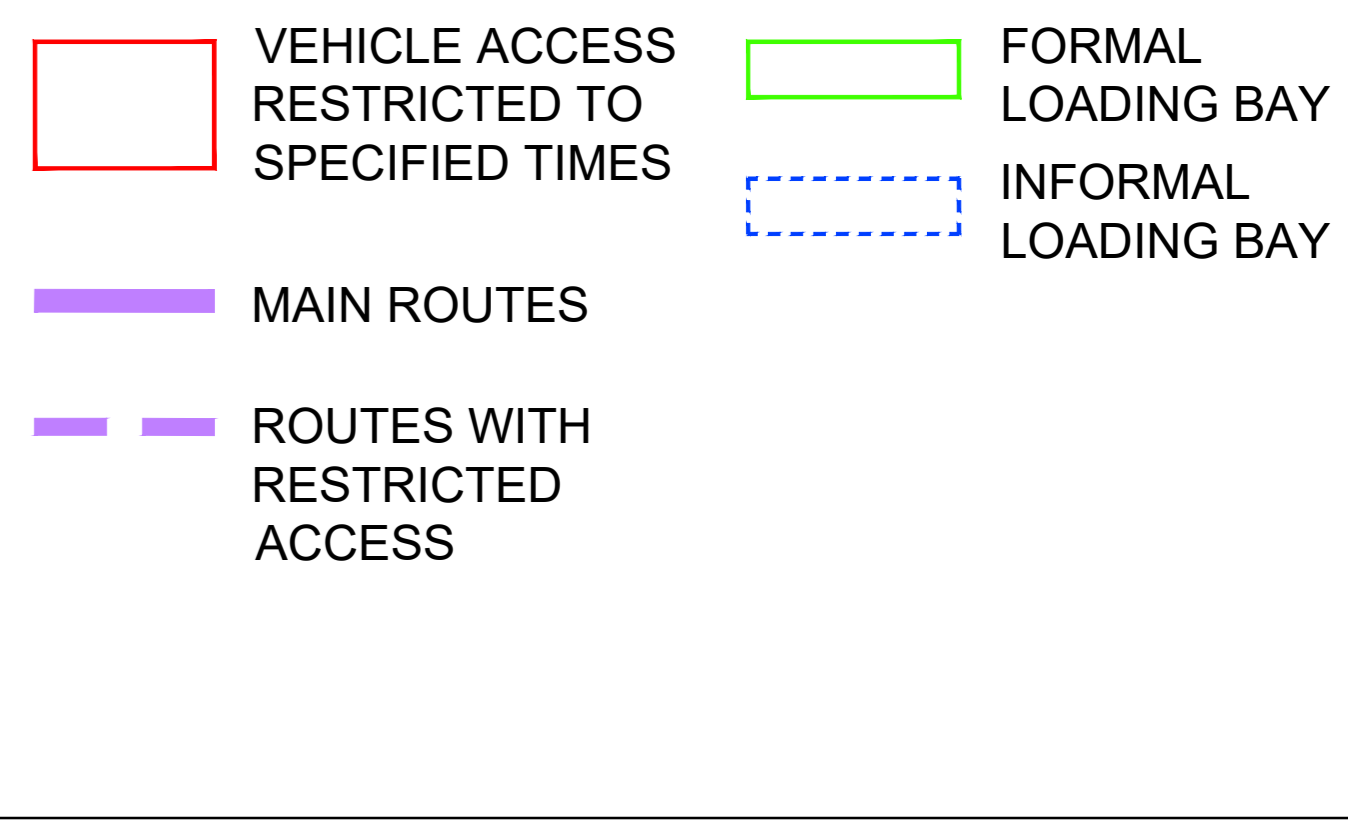
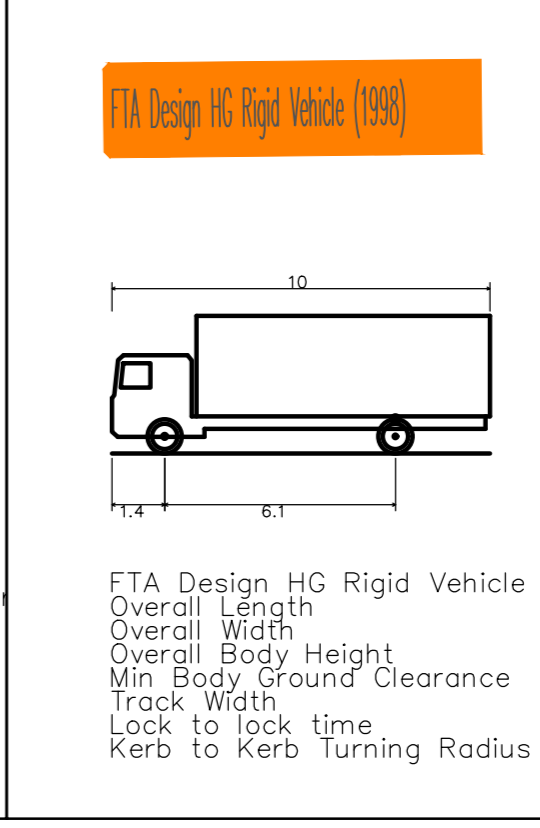
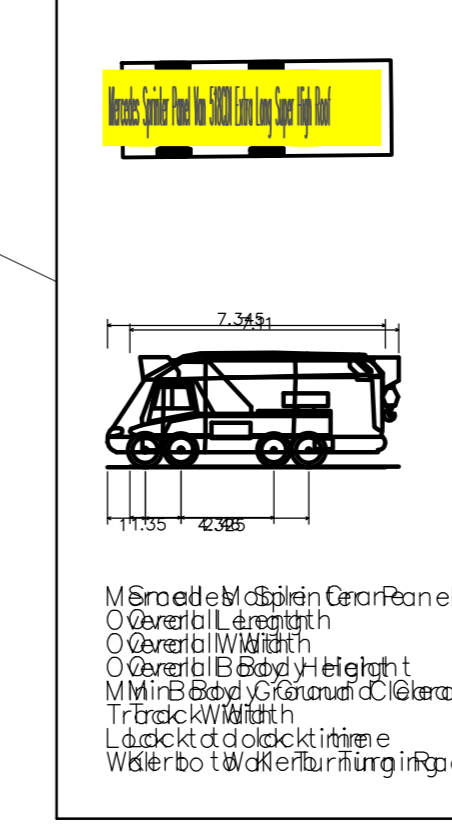
BLOCK 13

BLOCK 14

BLOCK 20

BLOCK 21

Existing on-street parking



NOTE:  
 FOR VEHICLE SWEEP ANALYSIS PLEASE SEE DRAWING NO'S 38262/5520/05 AND 38262/5520/11.

A	Masterplan updated	03.03.22	REM	PW	PW
Mark	Revision	Date	Drawn	Chkd	Appd

UTILITIES NOTE: The position of any existing public or private sewers, utility services, plant or apparatus shown on this drawing is believed to be correct, but no warranty is made in this regard. Other such plant or apparatus may also be present but not shown. The Contractor is therefore advised to undertake their own investigation where the presence of any existing sewers, services, plants or apparatus may affect their operations.

Drawing Issue Status

**FOR PLANNING**  
**STAG BREWERY, MORTLAKE**  
**DELIVERY AND SERVICING STRATEGY**  
**LOADING BAY LOCATIONS & SERVICE ROUTES**  
**FOR A LARGE VAN AND A 10m RIGID LORRY**

Client  
**RESELTON PROPERTIES**

Date of 1st Issue	Designed	Drawn
18.01.2021	REM	REM
AD Scale	Checked	Approved
1:500	PW	PW
Drawing Number	Revision	
38262/5520/04	A	

**Stantec**  
 stantec.com/uk  
 Copyright reserved  
 The copyright in this drawing and drawings are the property of Stantec.  
 Reproduction or use for any purpose other than that authorized by Stantec is prohibited.  
 LONDON  
 Tel: 020 3824 6600