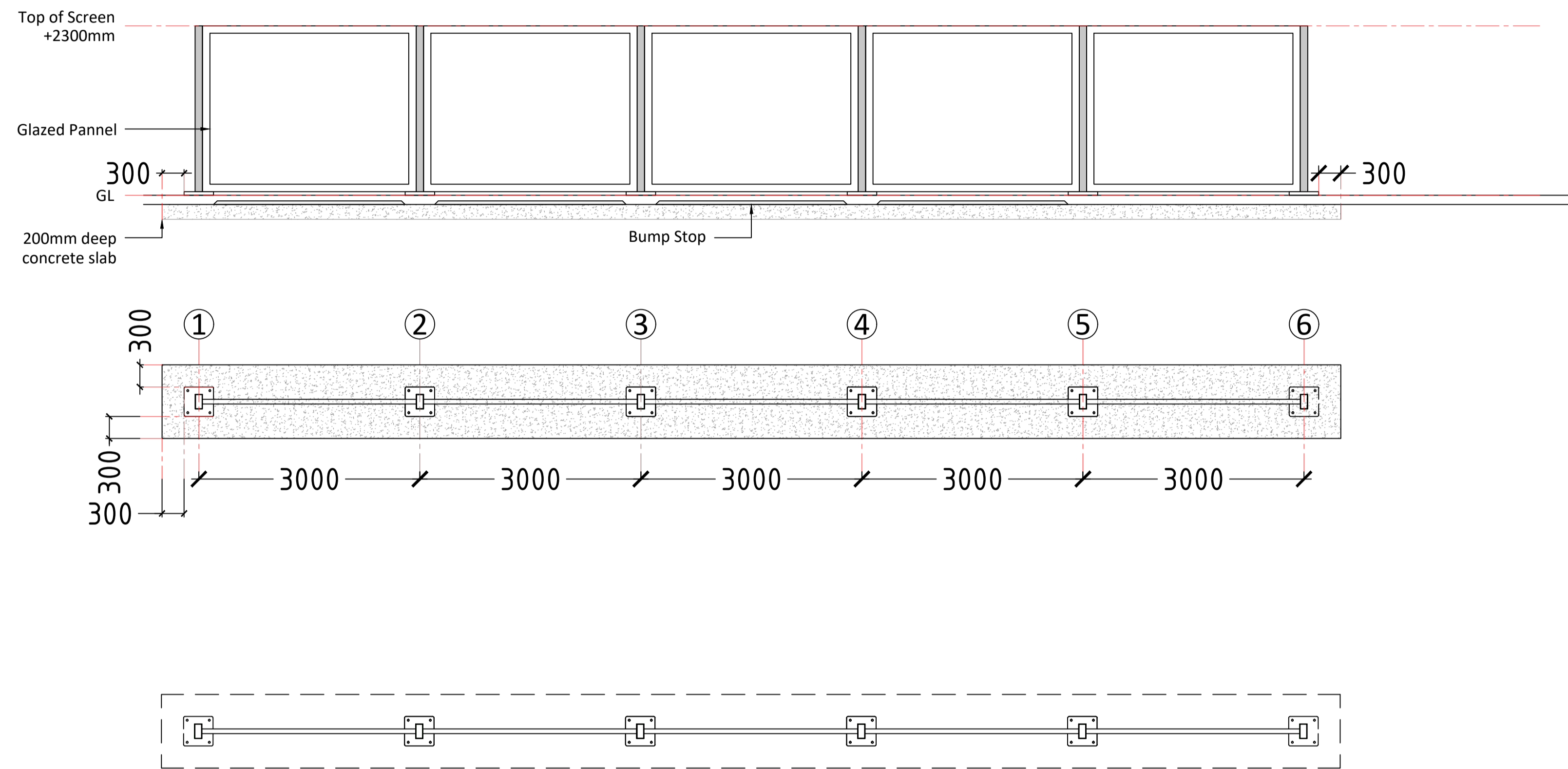


DRAWING NOTES

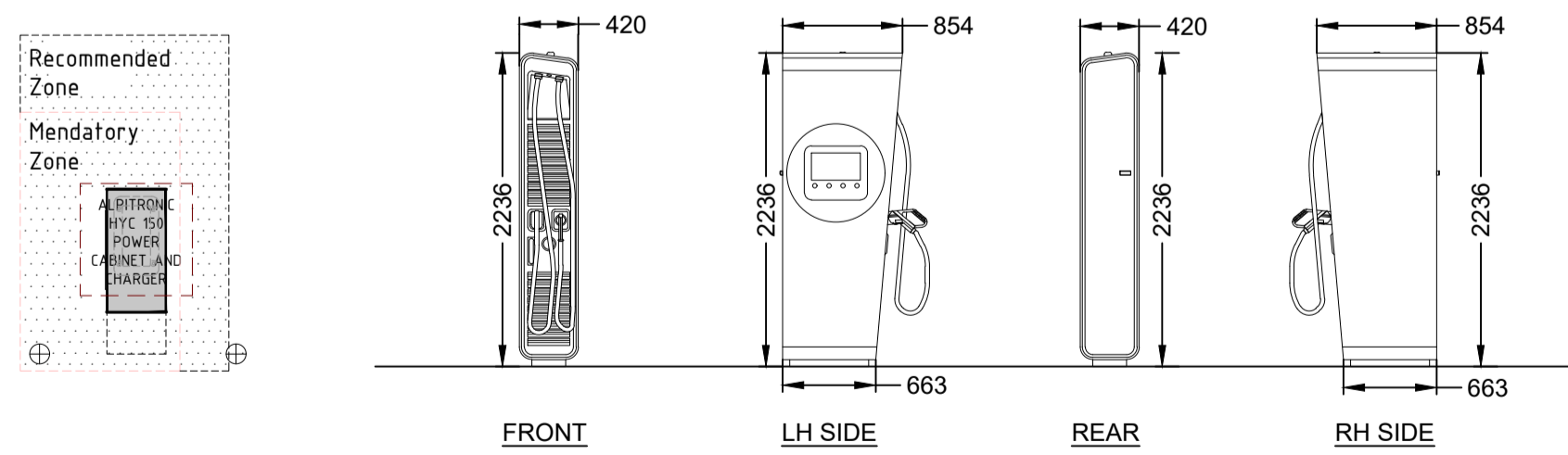
COPYRIGHT ©
This drawing and the details herein are the copyright of MBH Design Studio Ltd. and must not be reproduced, altered or passed to any third party without prior written consent.

This drawing has been produced for the project listed below, is submitted in support of this application to the Local Planning Authority and is not intended for use by any other person or for any other purpose.

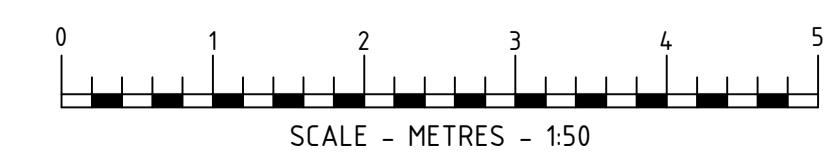
Every effort has been made to ensure the accuracy of these drawings, however MBH Design Studio Ltd. accept no responsibility for any discrepancies arising from the reuse of survey information and preliminary drawings commissioned by the Applicant from others.



EV SCREEN DETAILS
Scale 1:50



ALPTRONIC 150 HYC CHARGER
Scale 1:50



REV	DATE	DESCRIPTION	DRAWN/CHECKED
A	17/02/22	Updated to reflect current scheme	PJM/RRB

REVISION NOTES

PLANNING



MBH Design Studio Ltd.
Rosemount House, Rosemount Avenue, West Byfleet, Surrey, KT14 6LB
www.mbhstd.com t: 01932 352 727 f: 01932 351 545



CLIENT
PROJECT
FS924 - STAINES ROAD SERVICE STATION
110 STAINES ROAD,
TWICKENHAM,
TW2 5AW

DRAWING TITLE
EV SCREEN DETAIL

DRAWN BY	DATE	SCALE	PAPER SIZE
JP	28.10.2020	1:50	A1
CHECKED BY	DRAWING NUMBER	REV.	
RRB	13664-P05-924	A	