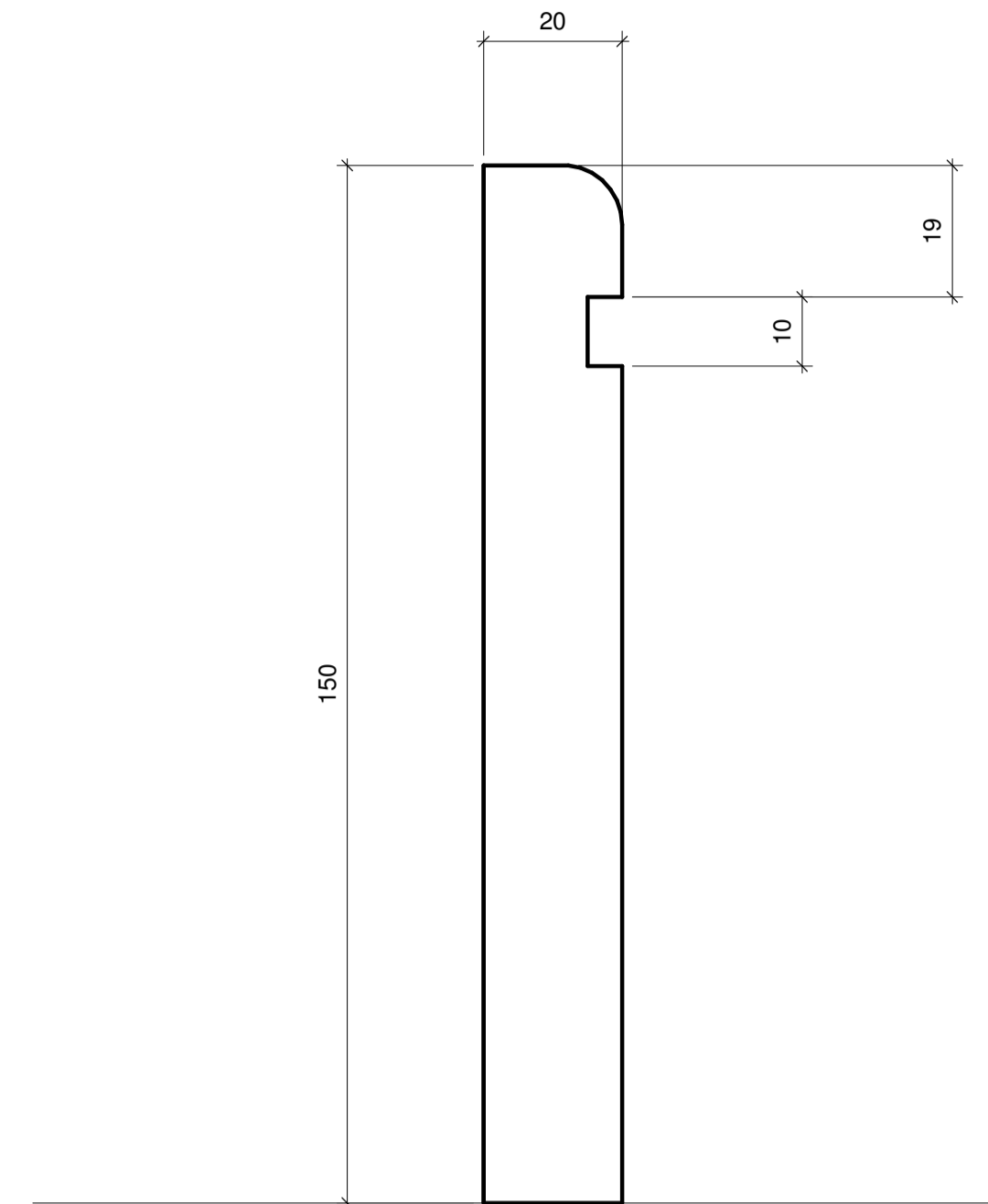


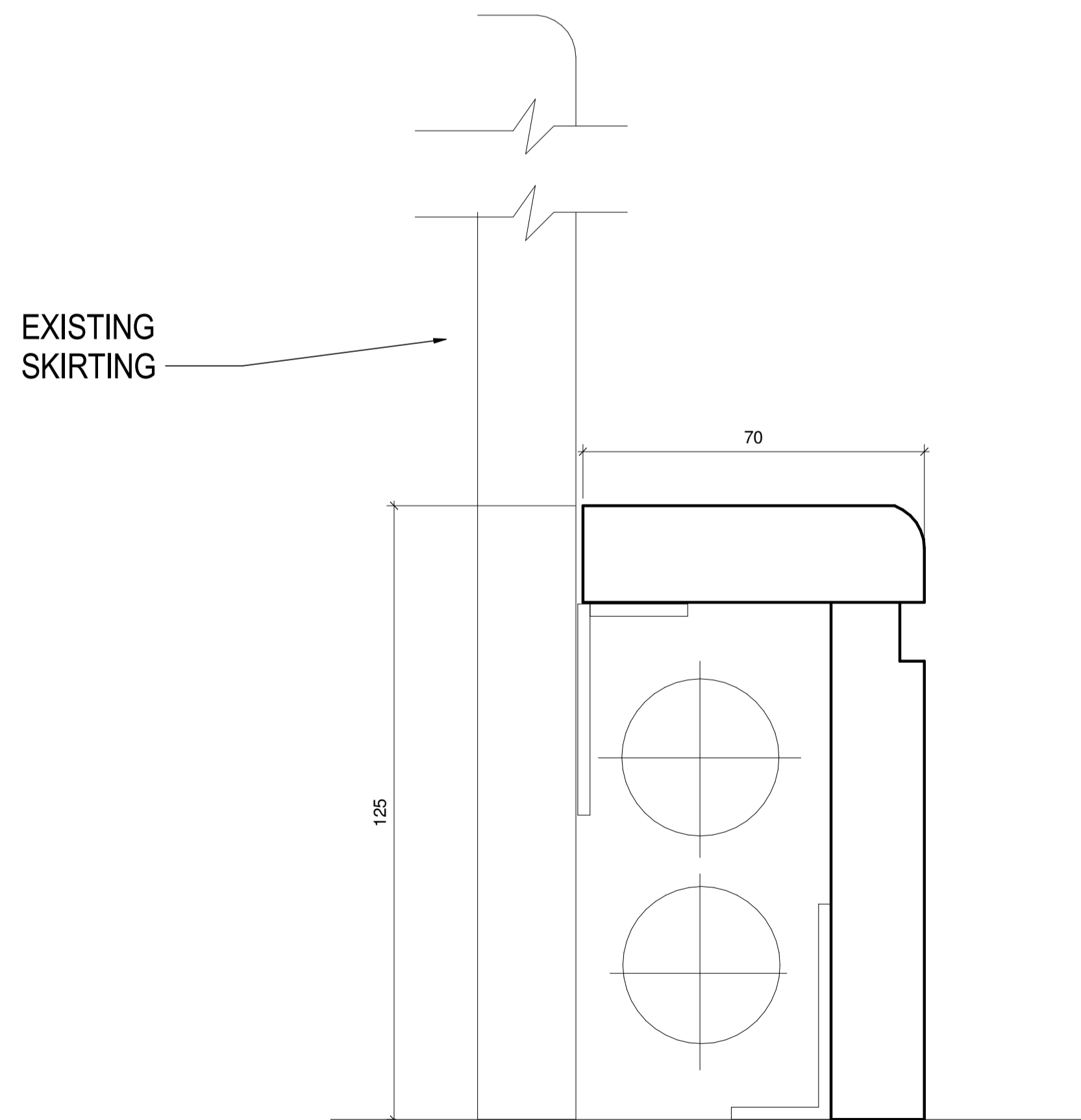
01 **BOXED OUT SKIRTING DETAIL ENCLOSING PIPES**  
1:1

HEIGHT AND WIDTH OF BOXED OUT SKIRTING TBC WITH M&E CONSULTANT



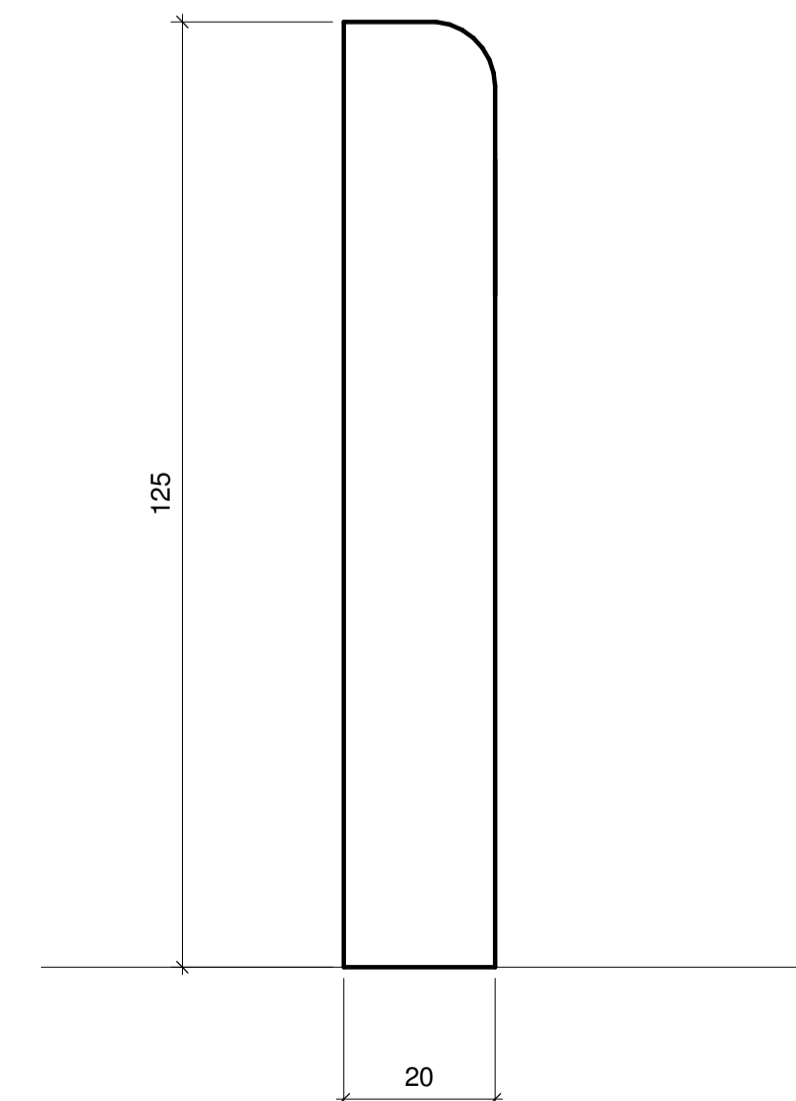
02 **PENCIL ROUND AND SINGLE SQUARE GROOVE SKIRTING DETAIL**  
1:1

HEIGHT OF SKIRTING TBC



03 **NEW BOXING DETAIL TO EXISTING SKIRTING**  
1:1

HEIGHT AND WIDTH OF BOXED OUT SKIRTING TBC WITH M&E CONSULTANT



04 **PENCIL ROUND SKIRTING DETAIL**  
1:1

**PLANNING**

| REVISION | DATE     | DESCRIPTION         | ARCHITECT | PARTNER |
|----------|----------|---------------------|-----------|---------|
| S2 P 1   | 21.08.22 | Planning Submission | NM        | ADP     |

CHECK ALL DIMENSIONS AND VERIFY ON SITE. REPORT ANY ERRORS OR OMISSIONS

The Fire Station  
130 Waterloo Road  
London  
SE1 8SB  
T +44 (0) 20 7089 1720  
E london@adp-architecture.com  
www.adp-architecture.com

JOB TITLE:  
**KNELLER HALL**

DRAWING TITLE:  
**PROPOSED SKIRTING PROFILES**

| SCALE:    | DRAWING SHEET SIZE:  |           |
|-----------|----------------------|-----------|
| 1:1       | A1                   |           |
| JOB CODE: | DRAWING NUMBER:      | REVISION: |
| 001506    | ADP-01-XX-DR- A-4500 | S2 P 1    |