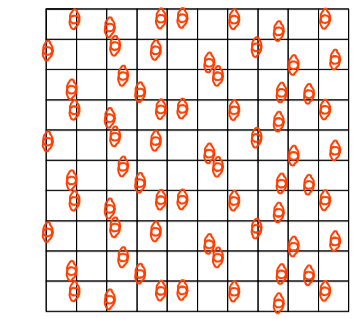
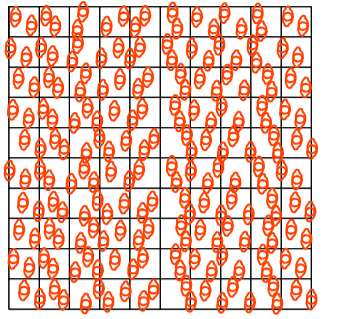


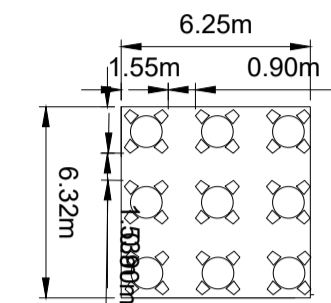
POTENTIAL EVENT CAPACITY



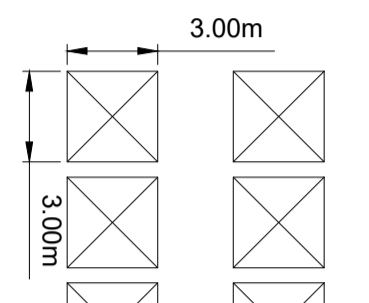
100 m<sup>2</sup> = 66.6 people @ 0.6 people per sqm seated



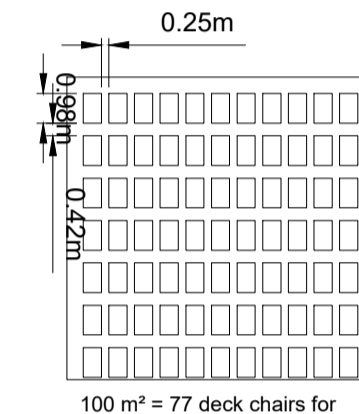
100 m<sup>2</sup> = 200 people @ 2 people per sqm generally used for outdoor music events (UK Event Guidance)



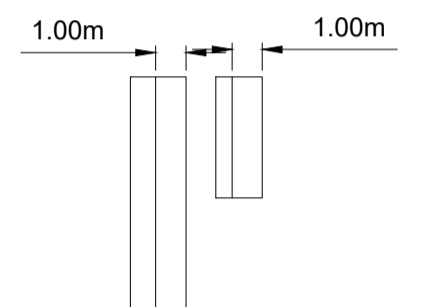
Restaurant table and chairs layout: assuming food is consumed 900mm service space required between tables



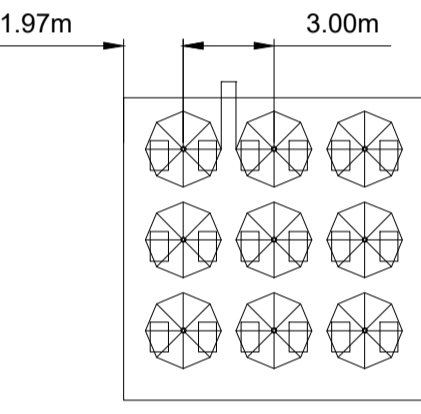
Art market stalls: 3m x 3m with 2.5m walkway



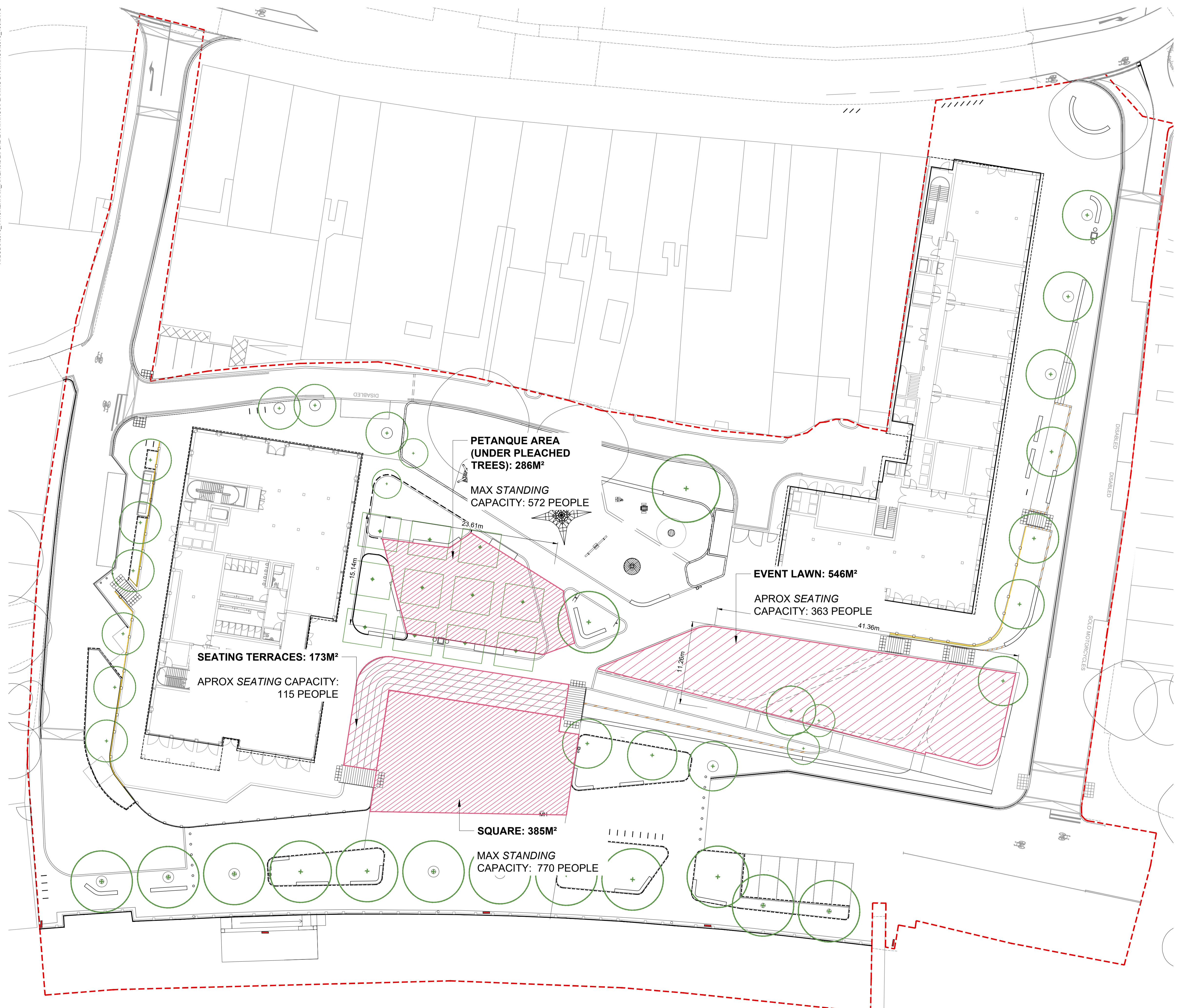
100 m<sup>2</sup> = 77 deck chairs for outdoor cinema event



Outdoor cinema screen: 8m x 1m or 4m x 1m



9 x sun umbrellas in 100m<sup>2</sup>  
18 deck chairs beneath umbrellas



This drawing may contain Ordnance Survey material by permission of Ordnance Survey on behalf of the Controller of Her Majesty's Stationery Office © Crown Copyright 2011. All rights reserved. Reference number 0100031673. OS Open data © Crown copyright and database right 2011. Aerial Photography © Bing Maps

REV.	DESCRIPTION	APP. DATE
A	Response to Planners Comments	26/05/22

**LDA DESIGN**

PROJECT TITLE  
TWICKENHAM RIVERSIDE

DRAWING TITLE  
FLEXIBLE EVENT SPACES

ISSUED BY	London	T: 020 7467 1470
DATE	JULY 2021	DRAWN NR
SCALE@A1	1:250	CHECKED
STATUS	Planning	APPROVED

DWG. NO 6975\_152

No dimensions are to be scaled from this drawing. All dimensions are to be checked on site. Area measurements for indicative purposes only. © LDA Design Consulting LLP. Quality Assured to BS EN ISO 9001 : 2000 Sources: Ordnance Survey