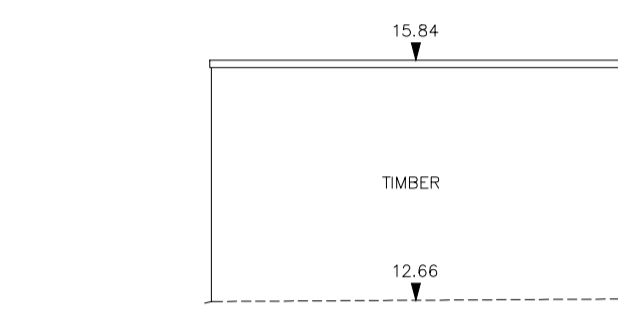
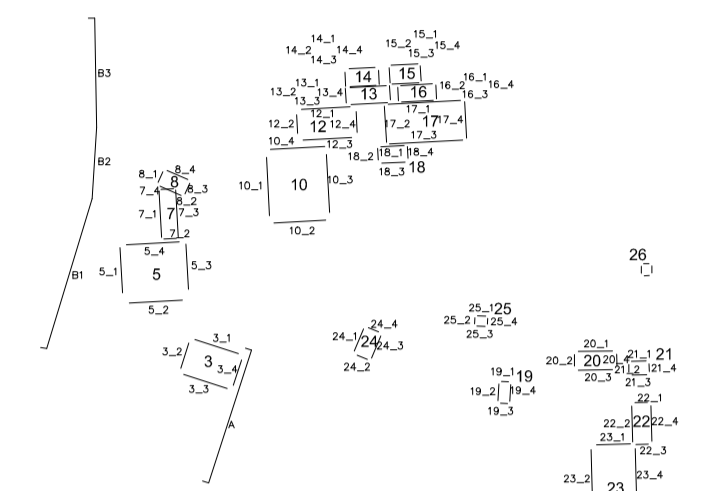


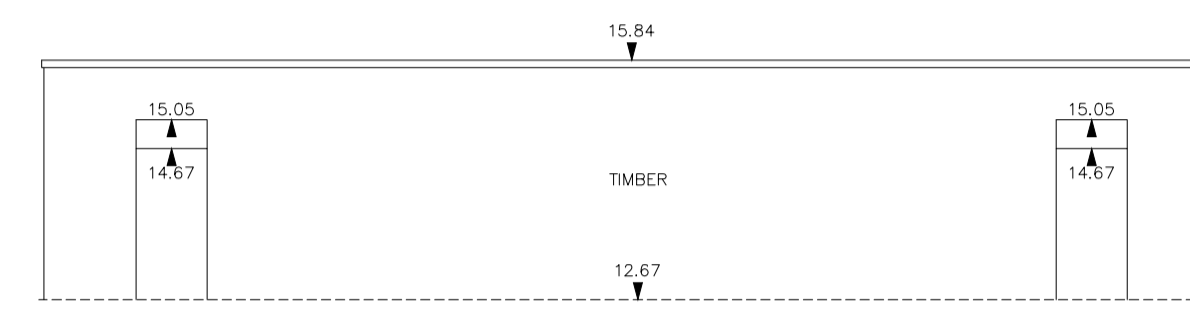
Building Abbreviations

BL	Basement Level	RWP	Rain Water Pipe
BSL	Beam Soffit Level	SL	Soffit Level
HD	Heating Duct	SVP	Soil and Vent Pipe
DP	Down Pipe	VP	Vent Pipe
DPC	Damp Proof Course	C	Cill Height from FFL
FFL	Finished Floor Level	W	Window Height from Cill
FCL	Finished Ceiling Level	H	Door Height
⌈100	Floor to Ceiling Height	↔	Direction of Floor Joist Span

Elevation Location Plan:



DATUM=9.00m
ELEVATION 22_1



DATUM=9.00m
ELEVATION 22_2

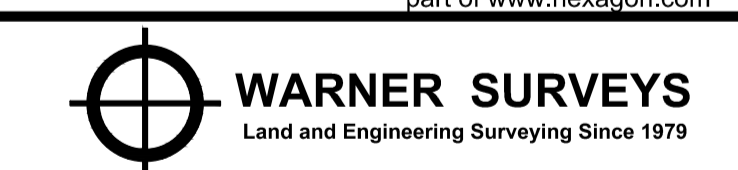


Notes

The survey has been oriented to Ordnance Survey (OS) National Grid (OSGB36) using Industry Standard Network RTK GPS equipment utilising the OS Active Network (OS Net).
A true OSGB36 coordinate has been established on site using the OSTN15 (transformation) & OSGB15 (geoid) models.
The survey detail has been correlated to this point and a further one (or more) OSGB36 points established to produce a true OS bearing for angle orientation.
Scale factor 1.0 has been applied therefore the survey coordinates are shown on a pseudo OS grid.
All levels are in metres unless otherwise specified
All heights are in millimetres unless otherwise specified

5	-	-	-	-
4	-	-	-	-
3	-	-	-	-
2	-	-	-	-
1	-	-	-	-
0	AG	First Complete Issue		17/05/2022
Prelim	-	Preliminary - Not Complete		-
Rev	Svyr	QA Check	Description	Date

© Copyright Warner Surveys Drawn in BricsCAD – www.bricsys.com part of www.hexagon.com



Unit 5, Theale Lakes Bus. Pk. Moulden Way READING, RG7 4GB T +44 (0)118 930 3314
G.3 Bedford House, 69-79 Fulham High St LONDON, SW6 3JW T +44 (0)203 651 7549
5th Floor 1 Temple Way BRISTOL, BS2 0BY T +44 (0)117 301 8137
Unit G9, The Arch, 48-52 Floodgate St BIRMINGHAM, B5 5SL T +44(0)121 752 1220

www.warnersurveys.com contact@warnersurveys.com
Topographic, Utility, Measured Building & UAV Surveys Movement, Deformation & Environmental Monitoring
Construction, Site Engineering & 3D Laser Scanning Oil, Gas & Industrial Surveying & Dimensional Control

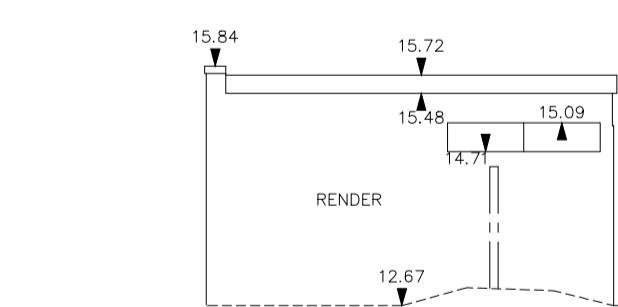
SURVEYED	MF	LXA
DRAWN	OF	
SCALE	1:100	

Kneller Hall

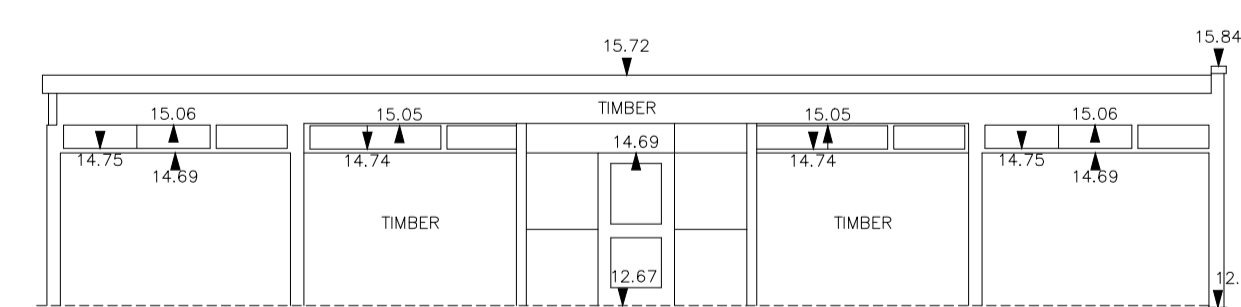
**BUILDING 22
ELEVATIONS 1 - 4**

JOB No	DRAWING NUMBER
LT/121/0535	LT/121/0535/P/0016

A1 Sheet - 841mm X 594mm



DATUM=9.00m
ELEVATION 22_3



DATUM=9.00m
ELEVATION 22_4