

LEGEND

GENERAL

- Site Ownership Boundary
- Site Planning Application Boundary
- School Planning Application Boundary
- Existing Surface Level
- Proposed Surface Level
- Top of Wall Level
- Finished Floor Level (Internal)
- Stairs Up

PAVING

- Paving Type 1
- Paving Type 2
- Paving Type 3
- Paving Type 4
- Paving Type 5
- Paving Type 6
- Paving Type 7
- Paving Type 8
- Paving Type 9
- Paving Type 10
- Paving Type 11
- Paving Type 12
- Paving Type 13
- Paving Type 14

STRUCTURES

- Fence Type 1
- Fence Type 2
- Fence Type 3
- Fence Type 4
- Fence Type 5
- Wall Type 1
- Wall Type 2
- Wall Type 3
- New Riverwall
- Masonry pier
- Existing Riverwall Retained
- Gate Type 1

FURNITURE

- Bin Type 1

FEATURE

- Metal Railway Track

LIGHTING

- Lighting Column
- Lighting Column
- Beespoke Lighting Mast
- Beespoke Lighting Mast
- Lighting Column
- Architectural Lighting
- Bench integrated linear lighting
- Ballast
- Recessed in ground lighting
- Recessed step luminaire
- Recessed wall luminaire

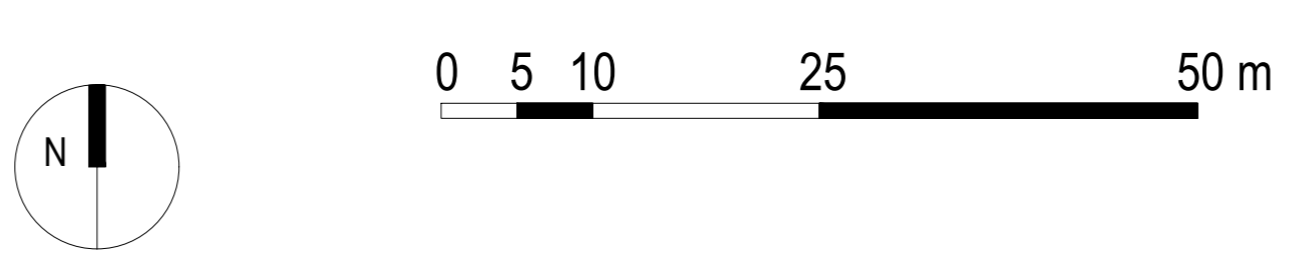
PLANTING

- Short Mown Grass
- Planting Mix
- Rain Garden Planting
- Low Shrub Planting
- Hedge Type 1
- Existing Hedge
- Meadow Planting
- Existing Trees to be Retained
- Proposed Trees

rev	details	by	date	rev	details	by	date
P01	Issue for Planning Submission	AS	11.03.2022				
P01	Issue for Planning Addendum	AS	22.07.2022				

Notes

- Do not scale from drawing, use figured dimensions only
- All dimensions to be checked onsite
- This drawing to be read in conjunction with all other Gillespies drawings and specifications



Site plan

Project title
STAG BREWERY

Drawing title
Proposed Site Wide Landscape GA Plan

Drawing number
P10736-00-004-GIL-0101

Drawing Status
PLANNING

Date
11.03.2022

Scale
1:500 @ AD

Revision
P01

Drawn
AS

Checked
JG

Client
DARTMOUTH CAPITAL

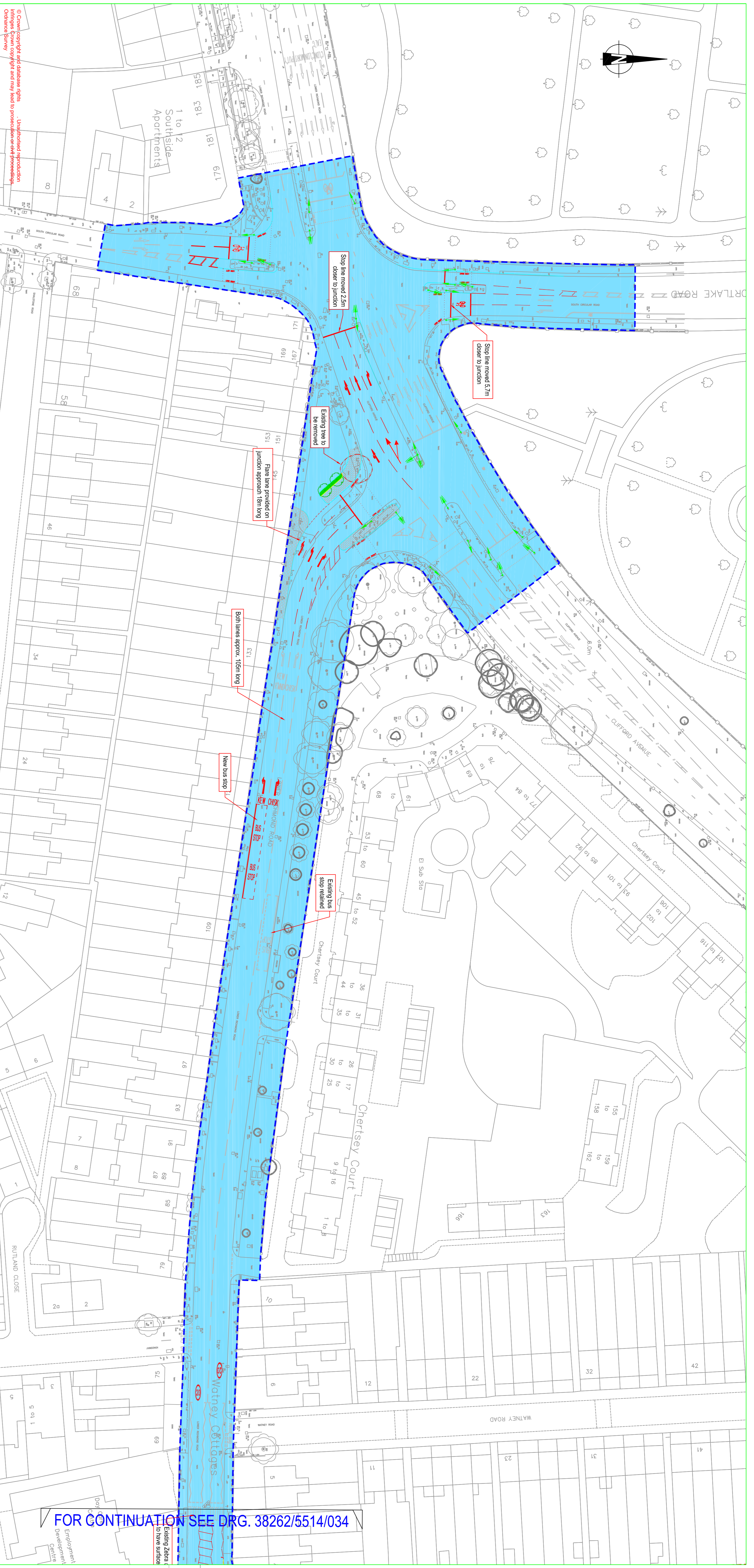
Address
Haven House, 80-82 South Street, London E16 6JG

© 2022 GILLESPIES

GILLESPIES

15, John's Square, London, EC1M 4DH

F 0207 2532929 F 0207 2533900 E design.team@gillespies.co.uk



© Copyright and database rights. Unauthorised reproduction, infringement, copying, theft and may lead to prosecution or civil proceedings. Ordnance Survey

FOR CONTINUATION SEE DRG. 38262/5514/034

KEY:	
	DEVELOPMENT BOUNDARY
	SECTION 278 WORKS BOUNDARY (CLIFFORD AVENUE AND LOWER RICHMOND ROAD)

Client
RESELTON PROPERTIES LTD

**Stag Brewery, Mortlake
 Proposed Highway Works
 Chalkers Corner Improvement**

DRAFT FOR DISCUSSION

Date of 1st Issue	08.02.2020	Designed	REM	Drawn	REM
At Scale	1:500 @A0	Checked	PJV	Approved	PJV
Drawing Number	38262/5514/033	Revision	-		

Stantec
 stantec.com/uk
 Copyright reserved. The copyright in this drawing and design are the property of Stantec. Any reproduction or use of this drawing without the written permission of Stantec is strictly prohibited.
 LONDON
 Tel: 020 3824 6600

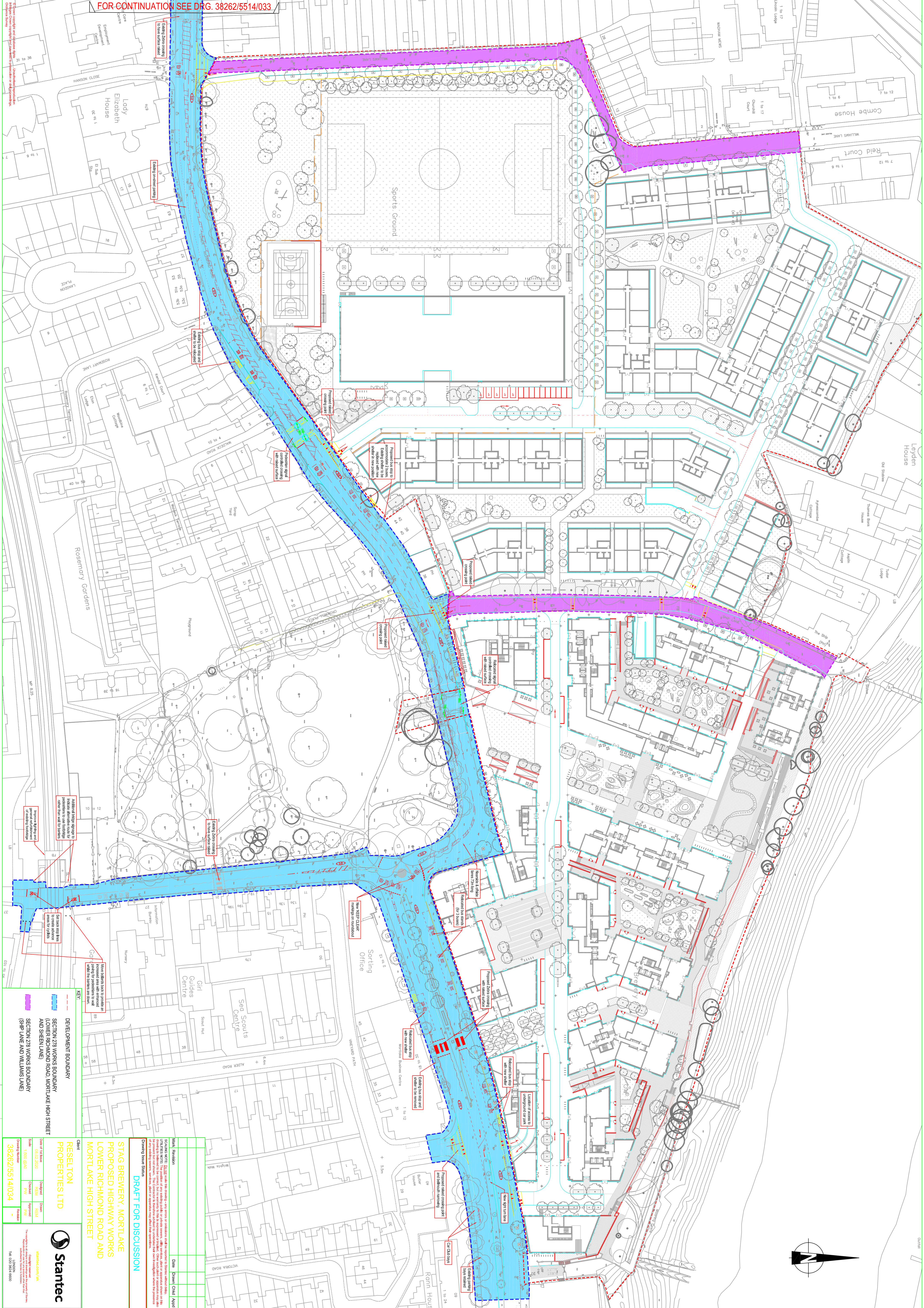
Mark	Revision	Date	Drawn	CHKd	Appd

SCALE NOTE: Do not scale this drawing. Any notes or conditions shall be referred to Stantec without delay.

UTILITIES NOTE: The location of any existing public or private sewers, utility services, plant or structures shown on this drawing is believed to be correct, but no warranty is made in this regard. Other such plant or structures may also be present but not shown. The Contractor is therefore advised to undertake their own investigation where the presence of any existing services, services, plant or structures may affect their operations.

Drawing Issue Status

FOR CONTINUATION SEE DRG. 38262/5514/033



Copyright © 2020 Stantec Inc. All rights reserved. This drawing is the property of Stantec Inc. and is not to be reproduced, stored in a retrieval system, or transmitted in any form or by any means, electronic, mechanical, photocopying, recording, or by any information storage and retrieval system, without the prior written permission of Stantec Inc.

KEY:

- DEVELOPMENT BOUNDARY
- SECTION 278 WORKS BOUNDARY (LOWER RICHMOND ROAD, MORTLAKE HIGH STREET AND SHERN LANE)
- SECTION 278 WORKS BOUNDARY (SHIP LANE AND WILLIAMS LANE)

Client:
RESELTON PROPERTIES LTD

Project:
STAG BREWERY, MORTLAKE PROPOSED HIGHWAY WORKS LOWER RICHMOND ROAD AND MORTLAKE HIGH STREET

Draft For Discussion

Name	Role	Date	Drawn	Checked	Approved

Notes:

1. This drawing is for discussion purposes only and is not to be used for construction.

2. All dimensions are in millimeters unless otherwise stated.

3. The client is responsible for obtaining all necessary permits and approvals.

4. The contractor is responsible for ensuring that all work is completed in accordance with the approved plans and specifications.

5. The contractor is responsible for ensuring that all work is completed in accordance with the approved plans and specifications.



APPENDICES

A. Cascade Chart for Tree Quality Assessment (extract from BS5837)

TREES FOR REMOVAL				
Category and Definition	Criteria			Identification on Drawing / Within Tree Schedule
<p>Category U</p> <p>Those in such a condition that they cannot realistically be retained as living trees in the context of the current land use for longer than 10 years</p>	<ul style="list-style-type: none"> Trees that have a serious, irremediable, structural defect, such that their early loss is expected due to collapse, including those that will become unviable after removal of other category trees (i.e. where, for whatever reason, the loss of companion shelter cannot be mitigated by pruning); Trees that are dead or are showing signs of significant, immediate, and irreversible overall decline; and Trees infected with pathogens of significance to the health and/or safety of other trees nearby, or very low quality trees suppressing adjacent trees of better quality. <p>NOTE: Category U trees can have existing or potential conservation value which it might be desirable to preserve.</p>			DARK RED
TREES TO BE CONSIDERED FOR RETENTION				
Category and Definition	Criteria - Subcategories			Identification on Drawing / Within Tree Schedule
	1 Mainly Arboricultural Values	2 Mainly Landscape Values	3 Mainly Cultural Values, including Conservation	
<p>Category A</p> <p>Trees of high quality with an estimated remaining life expectancy minimum of at least 40 years</p>	Trees that are particularly good examples of their species, especially if rare or unusual, or essential components of groups, or of formal or semi-formal arboricultural features (e.g. the dominant and/or principal trees within an avenue)	Trees, groups or woodlands of particular visual importance as arboricultural and/or landscape features	Trees, groups or woodlands of significant conservation, historical, commemorative or other value (e.g. veteran trees or wood-pasture)	LIGHT GREEN
<p>Category B</p> <p>Trees of moderate quality with an estimated remaining life expectancy of at least 20 years</p>	Trees that might be included in category A, but are downgraded because of impaired condition (e.g. presence of significant though remediable defects, including unsympathetic past management and storm damage), such that they are unlikely to be suitable for retention for beyond 40 years; or trees lacking the special quality necessary to merit the category A designation	Trees present in numbers, usually as groups or woodlands, such that they attract a higher collective rating than they might as individuals; or trees occurring as collectives but situated so as to make little visual contribution to the wider locality	Trees with material conservation or other cultural value	MID BLUE
<p>Category C</p> <p>Trees of low quality with an estimated remaining life expectancy of at least 10 years, or young trees with a stem diameter below 150mm</p>	Unremarkable trees of very limited merit or such impaired condition that they do not qualify in higher categories	Trees present in groups or woodlands, but without this conferring on them significantly greater collective landscape value; and/or trees offering low or only temporary/transient landscape benefits	Trees with no material conservation or other cultural value	GREY

Appendices

The Former Stag Brewery, Mortlake

Project Number: WIE18671-102

Document Reference: WIE18671-102-R-6-3-2-AIA

B. Schedule of Existing Trees

No.	Species	Height	Trunk Dia.	Radial Crown Spread	Crown Clearance	Height to 1st Branch	Life Stage	Physiology	Structure	Est. Years	Comments	Category	RPA Radius	RPA m ²
T2	Sycamore (<i>Acer pseudoplatanus</i>)	7m	2 stems @ 230mm 190mm 220mm	NE2m SE5m SW5m NW5m	2m	2m SW	SM	Good	Fair	40+	Boundary tree; of some boundary screening value; multi-stemmed from base; unbalanced crown biased to the S due to previous pruning; hard surfacing within RPA.	C (1)	5.2m	86.1m ²
T3	London plane (<i>Platanus X acerifolia</i>)	14m	830mm	N8m E8m S10m W10m	1.5m	4m NW	M	Good	Good	40+	Large buttress roots; hard surfacing within RPA; twin-stemmed from 3m; broad dominant crown with no significant defects.	A (1)	10.0m	311.7m ²
T4	London plane (<i>Platanus X acerifolia</i>)	10m	510mm	NE3m SE8m SW9m NW7m	2.5m	2m SW	SM	Good	Fair	40+	Boundary tree; large buttress roots; hard surfacing within RPA; unbalanced crown biased to the S due to previous pruning; bark wounds in crown.	B (1)	6.1m	117.7m ²
T5	London plane (<i>Platanus X acerifolia</i>)	12m	560mm	N7m E8m S7m W9m	2m	2m S	SM	Good	Good	40+	Large buttress roots; hard surfacing within RPA; part of group.	B (1)	6.7m	141.9m ²
T6	Fastigate hornbeam (<i>Carpinus betulus</i> 'Fastigiata')	10m	430mm	N5m E4m S4m W5m	3.5m	2m NE	EM	Good	Good	40+	Part of group; hard surfacing within RPA; minor deadwood.	B (1)	5.2m	83.6m ²

Appendices

The Former Stag Brewery, Mortlake

Project Number: WIE18671-102

Document Reference: WIE18671-102-R-6-3-2-AIA

No.	Species	Height	Trunk Dia.	Radial Crown Spread	Crown Clearance	Height to 1st Branch	Life Stage	Physiology	Structure	Est. Years	Comments	Category	RPA Radius	RPA m ²
T7	London plane (<i>Platanus X acerifolia</i>)	12m	540mm	N7m E7m S7m W10m	2.5m	4m E	SM	Good	Good	40+	Part of group; trunk leans slightly to E; hard surfacing within RPA.	B (1)	6.5m	131.9m ²
T8	London plane (<i>Platanus X acerifolia</i>)	8m	420mm	N8m E8m S7m W2m	2m	2.5m S	SM	Good	Fair	40+	Part of group; crown shape distorted due to group pressure; hard surfacing within RPA; large buttress roots, with wounding.	B (2)	5.0m	79.8m ²
T9	London plane (<i>Platanus X acerifolia</i>)	12m	440mm	N9m E4m S7m W3m	2.5m	4m W	SM	Good	Fair	40+	Part of group; hard surfacing within RPA; crown shape distorted due to group pressure; multiple pruning wounds on trunk not yet occluded.	B (2)	5.3m	87.6m ²
T10	London plane (<i>Platanus X acerifolia</i>)	14m	470mm	N9m E4m S7m W4m	3m	4m E	SM	Good	Fair	40+	Part of group; crown shape distorted due to group pressure; hard surfacing within RPA; trunk leans slightly to W; multiple pruning wounds on trunk now occluded.	B (2)	5.6m	99.9m ²
T11	London plane (<i>Platanus X acerifolia</i>)	14m	440mm	N8mE4m S7mW7 m	2m	4m S	SM	Good	Fair	40+	Part of group; crown shape distorted due to group pressure; hard surfacing within RPA.	B(1)	5.3m	87.6m ²
T12	Sycamore (<i>Acer pseudoplatanus</i>)	6m	260mm	N5m E2.5m S4m W3m	2m	1m NE	SM	Fair	Fair	10+	Large buttress roots, with wounding; small suppressed tree; of low value; of limited potential.	C (1)	3.1m	30.6m ²

Appendices

The Former Stag Brewery, Mortlake

Project Number: WIE18671-102

Document Reference: WIE18671-102-R-6-3-2-AIA

No.	Species	Height	Trunk Dia.	Radial Crown Spread	Crown Clearance	Height to 1st Branch	Life Stage	Physiology	Structure	Est. Years	Comments	Category	RPA Radius	RPA m ²
T14	London plane (<i>Platanus X acerifolia</i>)	14m	450mm	N9m E8m S8m W4m	2m	3m	SM	Good	Fair	40+	Part of group; broad dominant crown of trees in group; crown has been previously topped at 3m; multi-stemmed from 3m.	B (2)	5.4m	91.6m ²
T15	London plane (<i>Platanus X acerifolia</i>)	13m	320mm	N7m E3m S6m W3m	2.5m	2.5m SE	EM	Good	Fair	40+	Part of group; crown shape distorted due to group pressure; temporary building below crown; branches in contact with adjacent structure.	B (2)	3.8m	46.3m ²
T16	Sycamore (<i>Acer pseudoplatanus</i>)	8m	220mm 260mm	N4m E3m S5.5m W3.5m	2m	2m W	SM	Fair	Fair	40+	Part of group; twin-stemmed from 0.5m; crown shape distorted due to group pressure.	C (2)	4.1m	52.5m ²
T17	Sycamore (<i>Acer pseudoplatanus</i>)	8m	310mm	N4m E4.5m S4.5m W4m	2m	2m S	SM	Fair	Poor	10+	Branches in contact with adjacent structure; bark wound with exposed heartwood; of low value.	C (1)	3.7m	43.5m ²
T19	Sycamore (<i>Acer pseudoplatanus</i>)	7m	280mm	NE3.5m SE4.5m SW4m NW5m	2.5m	2.5m S	SM	Good		40+	Boundary tree; of low level screening value only.	C (1)	3.4m	35.5m ²
T20	Wild cherry (<i>Prunus avium</i>)	10m	320mm	NE6m SE4m SW5m NW6m	1.5m	3m W	EM	Good	Good	20+	Boundary tree; low hanging branches.	C (1)	3.8m	46.3m ²

Appendices

The Former Stag Brewery, Mortlake

Project Number: WIE18671-102

Document Reference: WIE18671-102-R-6-3-2-AIA

No.	Species	Height	Trunk Dia.	Radial Crown Spread	Crown Clearance	Height to 1st Branch	Life Stage	Physiology	Structure	Est. Years	Comments	Category	RPA Radius	RPA m ²
T22	Whitebeam (<i>Sorbus aria</i>)	6m	130mm	N3m E4m S3m W2m	1m	2.5m SE	SM		Poor	<10	Small, recently planted tree.	U	1.6m	7.6m ²
T24	Wild cherry (<i>Prunus avium</i>)	10m	310mm	N6mE5m S5.5mW 6m	1m	2m	EM	Good	Fair	20+	Surface roots with damage on upper sides; multi-stemmed from 2.5m.	C(1)	3.7m	43.5m ²
T25	London plane (<i>Platanus X acerifolia</i>)	14m	630mm	N6.5m E9m S10m W7.5m	1m	3m S	EM	Good	Good	40+	Part of group; building below crown; branches in contact with adjacent structure; lower branches pruned clear of building.	B (1)	7.6m	179.6m ²
T26	London plane (<i>Platanus X acerifolia</i>)	13m	480mm	N6.5m E8m S5m W8m	1.5m	3m S	EM	Good	Fair	40+	Part of group; hard surfacing within RPA; crown has been previously topped at 5m above ground level.	B (1)	5.8m	104.2m ²
T27	London plane (<i>Platanus X acerifolia</i>)	14m	510mm	N5m E8m S5m W6.5m	3m	5m S	EM	Good	Fair	40+	Part of group; large buttress roots; trunk leans slightly to E; crown has been previously topped at 5m above ground level; multiple pruning wounds on trunk now occluded.	B (1)	6.1m	117.7m ²
T28	Ash (<i>Fraxinus excelsior</i>)	20m	350mm	N7m E1m S6m W7m	5m	4m N	SM	Fair	Fair	<10	Dieback at branch ends; one-sided crown as suppressed by adjacent tree; suspected early ash dieback disease.	U	4.2m	55.4m ²

Appendices

The Former Stag Brewery, Mortlake

Project Number: WIE18671-102

Document Reference: WIE18671-102-R-6-3-2-AIA

No.	Species	Height	Trunk Dia.	Radial Crown Spread	Crown Clearance	Height to 1st Branch	Life Stage	Physiology	Structure	Est. Years	Comments	Category	RPA Radius	RPA m ²
T29	London plane (<i>Platanus X acerifolia</i>)	20m	740mm	N9.5m E11m S9.5m W10.5m	1.5m	4m SW	M	Good	Good	40+	Grows in low planter; hard surfacing within RPA; crown shape distorted due to group pressure; large buttress roots; broad dominant crown.	A (1)	8.9m	247.7m ²
T30	Whitebeam (<i>Sorbus aria</i>)	6m	220mm	N1m E2m S4m W2m	2m	4m S	SM	Fair	Fair	10+	One-sided crown as suppressed by adjacent tree; of low value.	C (1)	2.6m	21.9m ²
T31	London plane (<i>Platanus X acerifolia</i>)	11m	440mm	N6.5m E6m S6m W5.5m	2.5m	3m N	SM	Good	Good	40+	Hard surfacing within RPA; building below crown; branches in contact with adjacent structure; of good form.	B (1)	5.3m	87.6m ²
T32	Swedish whitebeam (<i>Sorbus intermedia</i>)	6m	290mm	N3.5m E3.5m S3.5m W2.5m	3m	2m N	SM	Poor	Fair	<10	Suppressed as overtopped by adjacent tree; of low value.	U	3.5m	38.0m ²
T33	London plane (<i>Platanus X acerifolia</i>)	9m	210mm	N4mE5m S3mW3m	2m	3m NE	Y	Fair	Fair	40+	Hard surfacing within RPA; trunk leans heavily to E.	C(1)	2.5m	20.0m ²
T34	London plane (<i>Platanus X acerifolia</i>)	10m	280mm	N5m E5m S4m W4m	2m	3m N	Y	Good	Good	40+	Hard surfacing within RPA; of good form.	B (1)	3.4m	35.5m ²

Appendices

The Former Stag Brewery, Mortlake

Project Number: WIE18671-102

Document Reference: WIE18671-102-R-6-3-2-AIA

No.	Species	Height	Trunk Dia.	Radial Crown Spread	Crown Clearance	Height to 1st Branch	Life Stage	Physiology	Structure	Est. Years	Comments	Category	RPA Radius	RPA m ²
T35	Ash (<i>Fraxinus excelsior</i>)	8m	185mm	N1m E2m S2m W2m	5m	3m S	Y	Poor	Poor	<10	Hard surfacing within RPA; large buttress roots, with wounding; sparse leaf coverage; suppressed; of low value.	U	2.2m	15.5m ²
T37	Sycamore (<i>Acer pseudoplatanus</i>)	15m	500mm est	N7m E7m S7m W7m	3m	4m S	EM	Good	Fair	40+	Boundary tree; twin-stemmed from 2m; tight compression forks; dense vegetation limits survey; some dimensions estimated.	C (1)	6.0m	113.1m ²
T38	Apple (<i>Malus sp.</i>)	6m					SM	Fair	Fair	10+	Suppressed as overtopped by adjacent tree; of low value; dense vegetation limits survey.	C (1)		
T39	Elder (<i>Sambucus nigra</i>)	8m	200mm est	N3m E2m S2m W4m	3m	2.5m	EM	Fair	Fair	10+	Dense vegetation limits survey; all dimensions estimated; of low value.	C (1)	2.4m	18.1m ²
T40	Holly (<i>Ilex aquifolium</i>)	7m	210mm est	N2m E3m S3m W2.5m	2m	2.5m	SM	Good	Fair	40+	Dense vegetation limits survey; all dimensions estimated; one-sided crown as suppressed by adjacent tree.	C (1)	2.5m	20.0m ²
T41	London plane (<i>Platanus X acerifolia</i>)	12m	4 stems @ 200mm est	N5m E6m S7m W6m	2m	1m	M	Good	Poor	10+	Multi-stemmed coppice.	C (1)	4.8m	72.4m ²

Appendices

The Former Stag Brewery, Mortlake

Project Number: WIE18671-102

Document Reference: WIE18671-102-R-6-3-2-AIA

No.	Species	Height	Trunk Dia.	Radial Crown Spread	Crown Clearance	Height to 1st Branch	Life Stage	Physiology	Structure	Est. Years	Comments	Category	RPA Radius	RPA m ²
G42	Ash (<i>Fraxinus excelsior</i>) and Golden rain tree (<i>Koelreuteria paniculata</i>)	18m	Avg 400mm				EM	Good	Fair	20+	Drawn-up, mutually suppressed trees; ash showing signs of ash dieback disease; dense vegetation limits survey.	C (2)	4.8m	72.4m ²
T43	Golden rain tree (<i>Koelreuteria paniculata</i>)	16m	760mm	N4m E4m S3m W1m	7m	7m NE	M	Fair	Poor	20+	Crown has been previously topped; of some boundary screening value.	C (1)	9.1m	261.3m ²
T44	Golden rain tree (<i>Koelreuteria paniculata</i>)	16m	400mm est600m m est	N1mE5m S4mW5m	10m	10m N	M	Fair	Fair	40+	Crown has been previously topped; of some boundary screening value; some dimensions estimated; twin-stemmed from 1m; tight compression fork with included bark.	C(1)	8.7m	235.2m ²
T45	Golden rain tree (<i>Koelreuteria paniculata</i>)	16m	200mm est 450mm est	N2m E5m S4m W4m	6m	6m E	M	Fair	Fair	20+	Crown has been previously topped; some dimensions estimated; dense vegetation limits survey; twin stemmed from base; of some boundary screening value.	C (1)	5.9m	109.7m ²
T46	Holly (<i>Ilex aquifolium</i>)	11m	300mm est	N2m E3m S3m W2m	2.5m	4m	EM	Good	Good	20+	Some dimensions estimated; of some boundary screening value.	C (1)	3.6m	40.7m ²

Appendices

The Former Stag Brewery, Mortlake

Project Number: WIE18671-102

Document Reference: WIE18671-102-R-6-3-2-AIA

No.	Species	Height	Trunk Dia.	Radial Crown Spread	Crown Clearance	Height to 1st Branch	Life Stage	Physiology	Structure	Est. Years	Comments	Category	RPA Radius	RPA m ²
T47	Holly (<i>Ilex aquifolium</i>)	5m	2 stems @ 190mm	N3m E4m S4m W3m	2.5m	4m	SM	Fair	Fair	10+	Small suppressed tree; twin stemmed from base.	C (1)	3.2m	32.7m ²
T48	London plane (<i>Platanus X acerifolia</i>)	16m	620mm	N7m E7m S3.5m W7m	3m	6m E	EM	Good	Fair	40+	Of high amenity value; part of linear boundary group; bark wound on trunk; hard surfacing within RPA; unbalanced crown biased to the N; building below crown; branches in contact with adjacent structure.	A (2)	7.4m	173.9m ²
T49	London plane (<i>Platanus X acerifolia</i>)	16m	580mm	N6m E7m S5.5m W8.5m	4m	3m E	EM	Good	Fair	40+	Part of linear boundary group; of high amenity value; crown has been previously topped at 3m; hard surfacing within RPA; large buttress roots.	A (2)	7.0m	152.2m ²
T50	London plane (<i>Platanus X acerifolia</i>)	16m	390mm	N4m E5m S4.5m W8m	3m	5m SW	EM	Good	Good	40+	Part of linear boundary group; crown shape distorted due to group pressure; hard surfacing within RPA; bark wound on trunk; of high amenity value.	A (2)	4.7m	68.8m ²
T51	London plane (<i>Platanus X acerifolia</i>)	17m	640mm	N9m E8m S4.5m W6m	5m	4m NE	EM	Good	Fair	40+	Part of linear boundary group; of high amenity value; hard surfacing within RPA; western side of crown previously reduced; large buttress roots.	A (2)	7.7m	185.3m ²
T52	London plane (<i>Platanus X acerifolia</i>)	16m	600mm	N5.5m E8m S3.5m W4m	5m	3m E	EM	Good	Fair	40+	Part of linear boundary group; of high amenity value; hard surfacing within RPA; western side of canopy previously reduced; crown shape distorted due to group pressure.	A (2)	7.2m	162.9m ²

Appendices

The Former Stag Brewery, Mortlake

Project Number: WIE18671-102

Document Reference: WIE18671-102-R-6-3-2-AIA

No.	Species	Height	Trunk Dia.	Radial Crown Spread	Crown Clearance	Height to 1st Branch	Life Stage	Physiology	Structure	Est. Years	Comments	Category	RPA Radius	RPA m ²
T53	London plane (<i>Platanus X acerifolia</i>)	16m	480mm	N2.5mE8m S2.5m W4m	5m	3m S	EM	Good	Fair	40+	Part of linear boundary group; of high amenity value; western side of canopy previously reduced; unbalanced crown biased to the E; crown shape distorted due to group pressure; hard surfacing within RPA.	A(2)	5.8m	104.2m ²
T54	London plane (<i>Platanus X acerifolia</i>)	18m	590mm	N3m E8m S6.5m W6.5m	7m	4m E	EM	Good	Fair	40+	Part of linear boundary group; lower branches on western side of crown previously reduced; hard surfacing within RPA; of high amenity value; building below crown; branches in contact with adjacent structure; crown shape distorted due to group pressure.	A(2)	7.1m	157.5m ²
T55	London plane (<i>Platanus X acerifolia</i>)	18m	630mm	N7m E7m S5.5m W8m	6m	6m E	EM	Good	Good	40+	Part of linear boundary group; of high amenity value; building below crown; branches in contact with adjacent structure; twin-stemmed from 4m; hard surfacing within RPA.	A(2)	7.6m	179.6m ²
T56	London plane (<i>Platanus X acerifolia</i>)	17m	510mm	N3.5m E8m S8m W7.5m	3.5m	2.5m N	EM	Good	Fair	40+	Part of linear boundary group; three-stemmed from 2.5m; hard surfacing within RPA; underground services within 1m of base; crown shape distorted due to group pressure; temporary building below crown.	A(2)	6.1m	117.7m ²
T57	London plane (<i>Platanus X acerifolia</i>)	15m	650mm	N7.5m E8m S8m W7.5m	3m	4m NE	EM	Good	Good	40+	Part of linear boundary group; of high amenity value; temporary building below crown; large buttress roots; hard surfacing within RPA.	A(2)	7.8m	191.1m ²

Appendices

The Former Stag Brewery, Mortlake

Project Number: WIE18671-102

Document Reference: WIE18671-102-R-6-3-2-AIA

No.	Species	Height	Trunk Dia.	Radial Crown Spread	Crown Clearance	Height to 1st Branch	Life Stage	Physiology	Structure	Est. Years	Comments	Category	RPA Radius	RPA m ²
G58	Sycamore (<i>Acer pseudoplatanus</i>) Ash (<i>Fraxinus excelsior</i>) Goat Willow (<i>Salix caprea</i>)	Max 15m	Various	N/A			SM	Good	Good	40+	Group of trees growing on riverbank; some deadwood and stubs; category grading based on overall group merit, but group shown as smaller groups and individual trees on Constraint's plan in order to identify trees of lower quality within group. Individual RPAs also plotted	B2	Various	
T59	English oak (<i>Quercus robur</i>)	9m	210mm	NE3m SE3m SW3m NW2m	3m	2.5m S	SM	Good	Good	40+	Crown shape distorted due to proximity of adjacent structure.	B (1)	2.5m	20.0m ²
T60	Norway maple (<i>Acer platanoides</i>)	7m	120mm	NE3m SE3m SW3m NW2m	3m	2m S	Y	Fair	Fair	20+	Crown shape distorted due to proximity of adjacent structure.	C (1)	1.4m	6.5m ²
T61	Himalayan birch (<i>Betula utilis</i>)	12m	240mm	N4m E5m S4.5m W3m	1.8m	2m E	SM	Fair	Fair	10+	Roadside tree growing in raised planter within pavement; multiple pruning wounds on trunk not yet occluded.	C (1)	2.9m	26.1m ²

Appendices

The Former Stag Brewery, Mortlake

Project Number: WIE18671-102

Document Reference: WIE18671-102-R-6-3-2-AIA

No.	Species	Height	Trunk Dia.	Radial Crown Spread	Crown Clearance	Height to 1st Branch	Life Stage	Physiology	Structure	Est. Years	Comments	Category	RPA Radius	RPA m ²
T62	Himalayan birch (<i>Betula utilis</i>)	9m	230mm @1.25m	N3m E4m S4m W3m	0.5m	1.4m	SM	Fair	Fair	10+	Grows in raised planter in pavement; low hanging branches.	C (1)	2.8m	23.9m ²
T64	London plane (<i>Platanus X acerifolia</i>)	12m	400mm	N7.5mE6m S6.5m W6m	1.5m	2.5m W	SM	Good	Good	40+	Of good form.	A(1)	4.8m	72.4m ²
T67	Red Horse chestnut (<i>Aesculus X carnea 'Briottii'</i>)	7m	550mm	N4m E4.5m S4m W3m	3m	3.5m N	EM	Fair	Fair	20+	Part of linear feature along busy road; old pruning wounds forming pocket cavities in trunk; some bark necrosis and suspected stem decay; epicormic growth on trunk.	C (12)	6.6m	136.8m ²
T68	Red Horse chestnut (<i>Aesculus X carnea 'Briottii'</i>)	7m	480mm	N3.5m E4.5m S4m W4.3m	3m	4m	EM	Poor	Poor	<10	Fungal fruiting bodies at base; ganoderma adspersum; basal decay; old pruning wounds forming pocket cavities throughout; twin-stemmed from 2.5m.	U	5.8m	104.2m ²
T70	Red Horse chestnut (<i>Aesculus X carnea 'Briottii'</i>)	8.5 m	490mm	N4m E3m S3.5m W3.5m	3m	4m	EM	Fair	Poor	10+	Part of linear feature along busy road; bark wound on trunk; decaying heartwood in trunk; old pruning wounds forming pocket cavities in trunk; twin-stemmed from 2.5m.	C (12)	5.9m	108.6m ²

Appendices

The Former Stag Brewery, Mortlake

Project Number: WIE18671-102

Document Reference: WIE18671-102-R-6-3-2-AIA

No.	Species	Height	Trunk Dia.	Radial Crown Spread	Crown Clearance	Height to 1st Branch	Life Stage	Physiology	Structure	Est. Years	Comments	Category	RPA Radius	RPA m ²
T71	Red Horse chestnut (<i>Aesculus X carnea</i> 'Briottii')	7m	490mm	N4m E5.5m S4m W4m	1.5m	2m W	EM	Fair	Poor	10+	Part of linear feature along busy road; old pruning wounds forming pocket cavities in trunk; fungal fruiting bodies on trunk; inonotus dryadeus.	C (12)	5.9m	108.6m ²
T72	Common Hawthorn (<i>Crataegus monogyna</i>)	5m	350mm @1m	3m	1.5m	2m	M	Fair	Poor	<10	Twin-stemmed from 1.5m; crown has been previously heavily reduced; significant dieback at branch ends; of limited potential.	U	4.2m	55.4m ²
T73	Common Hawthorn (<i>Crataegus monogyna</i>)	5m	350mm	N4m E3m S4m W3m	1.5m	1.5m	M	Fair	Fair	10+	Twin-stemmed from 1.5m; significant dieback at branch ends; trunk leans slightly to E.	C (1)	4.2m	55.4m ²
T74	Red Horse chestnut (<i>Aesculus X carnea</i> 'Briottii')	8m	580mm	N4.5m E4.5m S5m W5m	2m	4m	EM	Good	Good	40+	Part of linear feature along busy road; of high amenity value.	A (2)	7.0m	152.2m ²
T75	Red Horse chestnut (<i>Aesculus X carnea</i> 'Briottii')	10m	460mm	N5mE4.5 mS5mW 4m	2m	4.5m	EM	Good	Good	40+	Part of linear feature along busy road; of high amenity value; old pruning wounds forming pocket cavities in trunk.	A(2)	5.5m	95.7m ²
T76	Common Hawthorn (<i>Crataegus monogyna</i>)	7m	420mm @1m	N4.5m E3m S5m W3m	1m	1.5m	EM	Fair	Poor	<10	Crown shape distorted due to group pressure; twin-stemmed from 1.5m; main union has begun to fail.	U	5.0m	79.8m ²

Appendices

The Former Stag Brewery, Mortlake

Project Number: WIE18671-102

Document Reference: WIE18671-102-R-6-3-2-AIA

No.	Species	Height	Trunk Dia.	Radial Crown Spread	Crown Clearance	Height to 1st Branch	Life Stage	Physiology	Structure	Est. Years	Comments	Category	RPA Radius	RPA m ²
T77	Red Horse chestnut (<i>Aesculus X carnea</i> 'Briottii')	11m	630mm	N5.5m E4.5m S6m W4.5m	2m	2.5m NW	EM	Good	Good	40+	Part of linear feature along busy road; of high amenity value.	A (2)	7.6m	179.6m ²
T78	Red Horse chestnut (<i>Aesculus X carnea</i> 'Briottii')		630mm	N4m E5.5m S5m W4.5m	2m	4m	EM	Good	Good	40+	Part of linear feature along busy road; of high amenity value; twin-stemmed from 3m; old pruning wounds forming pocket cavities in trunk.	A (2)	7.6m	179.6m ²
T79	Cockspur thorn (<i>Crataegus crus-galli</i>)	4.5 m	310mm	N4.5m E1m S4.5m W3m	1.5m	2m S	EM	Fair	Fair	10+	One-sided crown as suppressed by adjacent tree; multiple pruning wounds on trunk not yet occluded.	C (1)	3.7m	43.5m ²
T81	Common Hawthorn (<i>Crataegus monogyna</i>)	3.5 m	180mm	N3m E3m S3m W2m	0.5m	0.5m	SM	Good	Fair	40+	Suppressed as overtopped by adjacent tree.	C (1)	2.2m	14.7m ²
T82	Red Horse chestnut (<i>Aesculus X carnea</i> 'Briottii')	9m	370mm	N5.5m E4m S4.5m W5m	N1m S2.5m	2.5m NE	EM	Good	Good	40+	Part of linear feature along busy road; of high amenity value; of good form.	A (2)	4.4m	61.9m ²
T83	Box elder (<i>Acer negundo</i>)	8m	580mm	N7.5m E4m S8m W9.5m	2.5m	2.5m S	M	Fair	Poor	10+	Part of group; crown has been previously topped at 5m; wounds on trunk with decay; polyporus squamosus (Dryad's Saddle) emerging from wound.	C (2)	7.0m	152.2m ²

Appendices

The Former Stag Brewery, Mortlake

Project Number: WIE18671-102

Document Reference: WIE18671-102-R-6-3-2-AIA

No.	Species	Height	Trunk Dia.	Radial Crown Spread	Crown Clearance	Height to 1st Branch	Life Stage	Physiology	Structure	Est. Years	Comments	Category	RPA Radius	RPA m ²
T84	London plane (<i>Platanus X acerifolia</i>)	12m	550mm	N6mE6m S6mW5m	3m	2m N	EM	Good	Fair	40+	Part of group; of moderate amenity value; crown has been previously topped at 3m; roots growing between kerb stones.	B(2)	6.6m	136.8m ²
T85	Box elder (<i>Acer negundo</i>)	9m	540mm	N7.5m E6m S6.5m W5m	4m	2.5m SW	M	Fair	Fair	20+	Crown has been previously heavily reduced; part of group; of moderate amenity value.	B(2)	6.5m	131.9m ²
T86	London plane (<i>Platanus X acerifolia</i>)	13m	550mm	N6.5m E6m S6m W7m	2.5m	3m SE	EM	Good	Fair	40+	Large buttress roots; roots causing pavement deflection; branches in contact with adjacent boundary wall; crown shape distorted due to group pressure.	B(2)	6.6m	136.8m ²
T88	London plane (<i>Platanus X acerifolia</i>)	14m	370mm	N5m E6m S5m W4m	2m	3m N	Y	Good	Good	40+	Part of group.	B(2)	4.4m	61.9m ²
T89	Golden rain tree (<i>Koelreuteria paniculata</i>)	10m	320mm	NE8.5m E4m S5m W7m NW1m	2m	3m W	SM	Good	Fair	20+	Part of group; crown shape distorted due to group pressure; minor deadwood.	B(2)	3.8m	46.3m ²
T90	London plane (<i>Platanus X acerifolia</i>)	15m	510mm	N8m E5.5m S8m W7.5m	2m	3m S	SM	Good	Good	40+	Trunk leans slightly to W; branches in contact with adjacent structure; crown has been previously topped at 4.5m; part of group; surface roots with damage on upper sides.	B(2)	6.1m	117.7m ²

Appendices

The Former Stag Brewery, Mortlake

Project Number: WIE18671-102

Document Reference: WIE18671-102-R-6-3-2-AIA

No.	Species	Height	Trunk Dia.	Radial Crown Spread	Crown Clearance	Height to 1st Branch	Life Stage	Physiology	Structure	Est. Years	Comments	Category	RPA Radius	RPA m ²
T93	Golden rain tree (<i>Koelreuteria paniculata</i>)	12m	420mm	N2m E3m S5.5m W5.5m	2.5m	3m S	EM	Good	Fair	20+	Unbalanced crown biased to the W; crown shape distorted due to group pressure; part of group; minor deadwood.	B (2)	5.0m	79.8m ²
T94	London plane (<i>Platanus X acerifolia</i>)	13m	390mm	N2m E6m S7m W8.5m	2m	3m W	SM	Good	Fair	40+	Part of group; multiple pruning wounds on trunk not yet occluded; crown shape distorted due to group pressure; strimmer damage.	B (2)	4.7m	68.8m ²
T95	Manna ash (<i>Fraxinus ornus</i>)	11m	300mm	N4m E0m S5m W6.5m	2.5m	3m W	Y	Good	Fair	20+	Part of group; crown shape distorted due to group pressure; bark wound on trunk; unbalanced crown biased to the W.	B (2)	3.6m	40.7m ²
T96	Manna ash (<i>Fraxinus ornus</i>)	10m	300mm	N2mE3m S2.5mW 3m	3m	3.5m N	SM	Fair	Fair	20+	Part of group; crown has been previously heavily reduced.	C(2)	3.6m	40.7m ²
T97	Golden rain tree (<i>Koelreuteria paniculata</i>)	10m	450mm	N4.5m E6m S7m W7m	3.5m	2.5m S	M	Good	Good	40+	Part of group; bark wound on trunk; temporary building below crown.	B (2)	5.4m	91.6m ²
T98	London plane (<i>Platanus X acerifolia</i>)	11m	400mm	N6.5m E8m S6.5m W5m	2m	2m SW	SM	Good	Good	40+	Part of group of three trees; crown shape distorted due to group pressure; branches in contact with adjacent structure.	B (2)	4.8m	72.4m ²

Appendices

The Former Stag Brewery, Mortlake

Project Number: WIE18671-102

Document Reference: WIE18671-102-R-6-3-2-AIA

No.	Species	Height	Trunk Dia.	Radial Crown Spread	Crown Clearance	Height to 1st Branch	Life Stage	Physiology	Structure	Est. Years	Comments	Category	RPA Radius	RPA m ²
T99	Golden rain tree (<i>Koelreuteria paniculata</i>)	10m	490mm	N7m E6m S8m W7m	2.5m	2m W	EM	Good	Fair	40+	Part of group of three trees; grows around adjacent fence; crown shape distorted due to group pressure.	B (2)	5.9m	108.6m ²
T100	Manna ash (<i>Fraxinus ornus</i>)	10m	370mm	N5m E6m S6m W6m	1.5m	2m SW	EM	Good	Fair	40+	Part of group of three trees; crown shape distorted due to group pressure; trunk leans slightly to S.	B (2)	4.4m	61.9m ²
T106	Common lime (<i>Tilia x europaea</i>)	7m	260mm	N4m E3.5m S3.5m W4m	2.5m	2.5m W	Y	Good	Good	40+	Street tree; of good form.	A (12)	3.1m	30.6m ²
T107	Small-leaved lime (<i>Tilia cordata</i>)	6m	370mm	N4m E4m S4.5m W5m	3m	3m	SM	Good	Good	40+	Street tree; multi-stemmed from 2m.	A (12)	4.4m	61.9m ²
T120	Norway maple (<i>Acer platanoides</i>)	12m	420mm	N4.5m E4m S4m W4m	3.5m	2m S	SM	Fair	Fair	20+	Minor deadwood; multiple pruning wounds on trunk not yet occluded.	C (2)	5.0m	79.8m ²
T121	Wild cherry (<i>Prunus avium</i>)	4m	700mm	1m			OM		Poor	Dead	Dead stump.	U	8.4m	221.7m ²

Appendices

The Former Stag Brewery, Mortlake

Project Number: WIE18671-102

Document Reference: WIE18671-102-R-6-3-2-AIA

No.	Species	Height	Trunk Dia.	Radial Crown Spread	Crown Clearance	Height to 1st Branch	Life Stage	Physiology	Structure	Est. Years	Comments	Category	RPA Radius	RPA m ²
T133	Red Horse chestnut (<i>Aesculus X carnea 'Briottii'</i>)	15m	460mm	6m	2m	1.5m N	SM	Fair	Fair	20+	Multiple pruning wounds on trunk not yet occluded; surface roots with damage on upper sides; crown shape distorted due to group pressure; twisted trunk.	B (2)	5.5m	95.7m ²
T134	Common alder (<i>Alnus glutinosa</i>)	15m	535mm	N5mE5m S5mW3m	2m	3m W	EM	Fair	Fair	20+	Trunk leans slightly to SE; multiple pruning wounds on trunk not yet occluded; crown shape distorted due to group pressure.	B(2)	6.4m	129.5m ²
T136	Red Horse chestnut (<i>Aesculus X carnea 'Briottii'</i>)	15m	300mm	4m	2.5m	3m E				20+	Swollen base of trunk; multiple pruning wounds on trunk not yet occluded.	B (2)	3.6m	40.7m ²
T137	Common alder (<i>Alnus glutinosa</i>)	15m	330mm	N4m E4m S4m W3.5m	2.5m	3m E	SM	Fair	Fair	20+	Trunk leans slightly to S.	B (2)	4.0m	49.3m ²
T139	Unknown	5m	110mm	N0.5m E1.5m S1.5m W1m	2.5m	2m E	Y		Poor	Dead	Dead tree.	U	1.3m	5.5m ²
T140	Common Horse Chestnut (<i>Aesculus hippocastanum</i>)	8m	460mm @1m	N5m E5m S6m W6m	2m	2.5m	SM	Good	Fair	40+	Three-stemmed from 2m; tight compression forks with included bark; multiple pruning wounds on trunk not yet occluded.	B (12)	5.5m	95.7m ²

Appendices

The Former Stag Brewery, Mortlake

Project Number: WIE18671-102

Document Reference: WIE18671-102-R-6-3-2-AIA

No.	Species	Height	Trunk Dia.	Radial Crown Spread	Crown Clearance	Height to 1st Branch	Life Stage	Physiology	Structure	Est. Years	Comments	Category	RPA Radius	RPA m ²
T142	Elder (<i>Sambucus nigra</i>)	5m	6 stems @ 90mm est	N2m E4m S4m W4m	2m	1.5m	M	Fair	Poor	<10	Stems growing around gas cabinet resulting in extensive cankers.	U	2.6m	22.0m ²
T143	Chanticleer pear (<i>Pyrus calleryana Chanticleer</i>)	6m	280mm	2m	4m	4m	EM	Poor	Poor	<10	Fungal fruiting bodies at base; ganoderma adspersum; crown has been previously heavily reduced; unlikely to last more than ten years due to poor condition.	U	3.4m	35.5m ²
T144	Norway maple (<i>Acer platanoides</i>)	11m	380mm	N4m E3m S4m W4m	3m	2.5m N	EM	Fair	Fair	10+	Twin-stemmed from 2m; tight compression forks with included bark; roots causing significant pavement damage; eastern side of crown reduced to clear building.	C (1)	4.6m	65.3m ²
T145	Ash (<i>Fraxinus excelsior</i>)	10m	250mm	N3m E4m S4m W4m	2m	2m E	SM	Good	Poor	20+	Street tree; crown biased to south due to presence of building to north.	B (1)	3.0m	28.3m ²
T149	Raywood ash (<i>Fraxinus angustifolia</i> 'Raywood')	12m	250mm	4m	4m	2.5m S	EM	Fair	Fair	20+	Street tree; multiple pruning wounds on trunk not yet occluded.	B(1)	3.0m	28.3m ²
T152	Norway maple (<i>Acer platanoides</i>)	4m	100mm	2m	0.5m	1m	Y	Good	Good	20+	Young tree (stem diameter less than 150mm).	C (1)	1.2m	4.5m ²

Appendices

The Former Stag Brewery, Mortlake

Project Number: WIE18671-102

Document Reference: WIE18671-102-R-6-3-2-AIA

No.	Species	Height	Trunk Dia.	Radial Crown Spread	Crown Clearance	Height to 1st Branch	Life Stage	Physiology	Structure	Est. Years	Comments	Category	RPA Radius	RPA m ²
T154	Common Horse Chestnut (<i>Aesculus hippocastanum</i>)	11m	600mm @1m	N4m E4m S5m W5m	3m	4m E	EM	Fair	Fair	40+	Crown shape distorted due to group pressure; twin-stemmed from 1.5m; one-sided crown as suppressed by adjacent tree.	B (1)	7.2m	162.9m ²
T155	London plane (<i>Platanus X acerifolia</i>)	20m	1100mm @1m	9m	4m	5m SE	M	Good	Good	40+	Three-stemmed from 1.5m.	A (1)	13.2m	547.4m ²
T157	London plane (<i>Platanus X acerifolia</i>)	14m	500mm	N4m E3m S2m W3m	7m	2m N	EM	Fair	Fair	40+	Crown has been previously heavily reduced.	B (1)	6.0m	113.1m ²
T158	Common Horse Chestnut (<i>Aesculus hippocastanum</i>)	12m	2 stems @ 360mm	3m	1.5m	2m N	SM	Good	Fair	20+	Suppressed as overtopped by adjacent tree; twin stemmed from base.	C (1)	6.1m	117.3m ²
G162	2x False Acacia (<i>Robinia pseudoacacia</i>)	15m	Avg. 550mm	7.5m	4m	3m W	M	Fair	Fair	10+	Sparse leaf coverage; crossing branches; minor deadwood	C (1)	6.6m	136.8m ²

Appendices

The Former Stag Brewery, Mortlake

Project Number: WIE18671-102

Document Reference: WIE18671-102-R-6-3-2-AIA

No.	Species	Height	Trunk Dia.	Radial Crown Spread	Crown Clearance	Height to 1st Branch	Life Stage	Physiology	Structure	Est. Years	Comments	Category	RPA Radius	RPA m ²
T163	Common Horse Chestnut (<i>Aesculus hippocastanum</i>)	15m	370mm	Avg. 5m	1.5m	2.0m W	E	Fair	Fair	20+	Within area of mown grass; exposed shallow surface roots with mower damage noted. Linear cracks to bark. Signs consistent with Bleeding Canker of Horse Chestnut (BCHC) (<i>Pseudomonas syringae</i> pv <i>aesculi</i>).	B (1)	4.4m	60.8m ²
T165	Norway maple (<i>Acer platanoides</i>)	12m	450mm	5m	1.5m	3m S	SM	Fair	Fair	40+	Part of group of three trees in park; unbalanced crown biased to the E; multi-stemmed from approx. 3m.	B (1)	5.4m	91.6m ²
T166	London plane (<i>Platanus X acerifolia</i>)	14m	500mm	N6m E6m S6m W4m	3m	4m E	SM	Good	Good	40+	Part of group of three trees in park; crown shape distorted due to group pressure.	B (1)	6.0m	113.1m ²
T171	Apple (<i>Malus sp.</i>)	8m	250mm @1m	N4m E3m S3m W3m	2m	1.5m	EM	Good	Good	20+	Grows in grass area above low retaining wall; multi-stemmed from 1.5m above ground level.	C (2)	3.0m	28.3m ²
T172	English oak (<i>Quercus robur</i>)	6m	150mm	2.5m	1m	1.5m E	Y	Good	Good	40+	Small tree within park setting.	C (1)	1.8m	10.2m ²
T300	Sycamore (<i>Acer pseudoplatanus</i>)	15m	300mm est	N2mE4m S4.5mW4m	4m	4m S	SM	Fair	Fair	10+	Off-site tree; crown shape distorted due to proximity of adjacent structure; all dimensions estimated; unable to view lower trunk due to boundary fence.	C(1)	3.6m	40.7m ²

Appendices

The Former Stag Brewery, Mortlake

Project Number: WIE18671-102

Document Reference: WIE18671-102-R-6-3-2-AIA

No.	Species	Height	Trunk Dia.	Radial Crown Spread	Crown Clearance	Height to 1st Branch	Life Stage	Physiology	Structure	Est. Years	Comments	Category	RPA Radius	RPA m ²
T302	Golden rain tree (<i>Koelreuteria paniculata</i>)	16m	300mm est	N6m E4m S2m W1m	4m	4m N	SM	Fair	Fair	<10	Grows against wall with limited space for future development; etiolated specimen.	U	3.6m	40.7m ²
T303	Holly (<i>Ilex aquifolium</i>)	6m	350mm est	N3m E3m S2m W3m	0m	1m	EM	Fair	Fair	20+	Small suppressed tree; crown has been previously topped.	C (1)	4.2m	55.4m ²
T304	Golden rain tree (<i>Koelreuteria paniculata</i>)	16m	500mm est 400mm est	N3m E5m S3m W4m	6m	5m W	M	Fair	Fair	20+	Crown has been previously topped; dense vegetation limits survey; some dimensions estimated; twin stemmed from base; of some boundary screening value.	C (1)	7.7m	185.5m ²
T305	Sweet chestnut (<i>Castanea sativa</i>)	3m	80mm	2m	1.5m	1m	Y	Fair	Fair	40+	Young tree (stem diameter less than 150mm).	C (1)	1.0m	2.9m ²
T306	Sweet chestnut (<i>Castanea sativa</i>)	4m	110mm	2m	1.5m	2m	Y	Fair	Fair	40+	Young tree (stem diameter less than 150mm).	C (1)	1.3m	5.5m ²
T307	Common alder (<i>Alnus glutinosa</i>)	4m	80mm	2m	1.5m	2m	Y	Poor	Poor	<10	Young tree (stem diameter less than 150mm); significant dieback at branch ends; bark wound on trunk; unlikely to last more than ten years due to poor condition.	U	1.0m	2.9m ²
T308	Common alder	4m	100mm	1m	2m	2m E	Y	Poor	Poor	<10	Young tree (stem diameter less than 150mm); extensive bark wounds on trunk; dieback at top of crown; unlikely	U	1.2m	4.5m ²

Appendices

The Former Stag Brewery, Mortlake

Project Number: WIE18671-102

Document Reference: WIE18671-102-R-6-3-2-AIA

No.	Species	Height	Trunk Dia.	Radial Crown Spread	Crown Clearance	Height to 1st Branch	Life Stage	Physiology	Structure	Est. Years	Comments	Category	RPA Radius	RPA m ²
	<i>(Alnus glutinosa)</i>										to last more than ten years due to poor condition.			
T309	Common alder <i>(Alnus glutinosa)</i>	6m	210mm	2m	2.5m	2m E	Y	Fair	Poor	10+	Bark wounds with exposed heartwood; minor deadwood.	C (12)	2.5m	20.0m ²
T310	Common alder <i>(Alnus glutinosa)</i>	6m	150mm	2m	2.5m	2m E	Y	Fair	Poor	10+	Bark wound with exposed heartwood; minor deadwood.	C (12)	1.8m	10.2m ²
T311	Common alder <i>(Alnus glutinosa)</i>	7m	320mm	3m	3.5m	23m	SM	Poor	Poor	<10	Bark wound with exposed heartwood; major deadwood; dieback at top of crown; unlikely to last more than ten years due to poor condition.	U	3.8m	46.3m ²

Appendices

The Former Stag Brewery, Mortlake

Project Number: WIE18671-102

Document Reference: WIE18671-102-R-6-3-2-AIA

No.	Species	Height	Trunk Dia.	Radial Crown Spread	Crown Clearance	Height to 1st Branch	Life Stage	Physiology	Structure	Est. Years	Comments	Category	RPA Radius	RPA m ²
T312-319	Common lime (<i>Tilia x europaea</i>)	#T3 12 8m# T31 3 8m# T31 4 7m# T31 5 11m #T3 16 12m #T3 17 10m #T3 18 11m #T3 19 10m	#T312 490mm# T313 460mm# T314 460mm# T315 520mm# T316 510mm# T317 500mm# T318 560mm# T319 510mm	2m	4m	4m	EM	Good	Fair	40+	Row of street trees growing in small pavement planting pits; managed dense epicormic growth t base; all trees heavily reduced;#315 bark wound on trunk;#316 exudations on trunk;#317 longitudinal crack at base.	B(2)	5.9m5.5m 5.5m6.2m 6.1m6.0m 6.7m6.1m	108.6m ² 95.7m ² 95.7m ² 5.7m ² 2.3m ² 2.3m ² 7.7m ² 3.1m ² 1.9m ² 7.7m ²
T320	London plane (<i>Platanus X acerifolia</i>)	16m	650mm	N7m E4m S7m W7m	3m	2m W	EM	Good	Good	40+	Part of group of three trees in park; large dominant tree in group; crown shape distorted due to group pressure.	B(1)	7.8m	191.1m ²
T321	London plane (<i>Platanus</i>)	20m	1100mm	N4m E6m S7m W6m	4m	3m	M	Good	Good	40+	Three-stemmed from 3m; crown shape distorted due to group pressure.	A(1)	13.2m	547.4m ²

Appendices

The Former Stag Brewery, Mortlake

Project Number: WIE18671-102

Document Reference: WIE18671-102-R-6-3-2-AIA

No.	Species	Height	Trunk Dia.	Radial Crown Spread	Crown Clearance	Height to 1st Branch	Life Stage	Physiology	Structure	Est. Years	Comments	Category	RPA Radius	RPA m ²
	X <i>acerifolia</i>)													
T322	Norway maple (<i>Acer platanoides</i>)	4m	90mm	1m	1.5m	1.5m W	Y	Good	Good	20+	Young tree (stem diameter less than 150mm).	C (1)	1.1m	3.7m ²
T323	Pear (<i>Pyrus communis</i>)	3m	80mm	1m	1.5m	1m NE	Y	Good	Good	20+	Young tree (stem diameter less than 150mm).	C (1)	1.0m	2.9m ²
T324-326	Pear (<i>Pyrus communis</i>)	#T324 6m #T325 6m #T326 5m	#T324 140mm #T325 140mm #T326 140mm	2m	2m	1.5m	Y	Fair	Fair	20+	#326 sparse leaf coverage; young trees (stem diameter less than 150mm).	C (1)	1.7m 1.7m 1.7m	8.9m ² 8.9m ² 8.9m ²
T327	Apple (<i>Malus sp.</i>)	8m	250mm	N4m E4m S2m W2m	3.5m	2m W	EM	Fair	Fair	20+	Street tree; unbalanced crown biased to the N due to presence of building to south.	B (2)	3.0m	28.3m ²
T328	Whitebeam (<i>Sorbus aria</i>)	7m	250mm	N4mE4m S2mW4m	4m	2m S	EM	Poor	Poor	Dead	Leaf buds 90% dead.	U	3.0m	28.3m ²

Appendices

The Former Stag Brewery, Mortlake

Project Number: WIE18671-102

Document Reference: WIE18671-102-R-6-3-2-AIA

No.	Species	Height	Trunk Dia.	Radial Crown Spread	Crown Clearance	Height to 1st Branch	Life Stage	Physiology	Structure	Est. Years	Comments	Category	RPA Radius	RPA m ²
T329	Raywood ash (<i>Fraxinus angustifolia</i> 'Raywood')	10m	320mm	N5m E3m S5m W4m	3m	2m S	EM	Fair	Fair	20+	Street tree; unbalanced crown biased to the N due to S; twin-stemmed from 4m.	B (1)	3.8m	46.3m ²
T330-331	English oak (<i>Quercus robur</i>)	12m	#T330 400mm #T331 400mm	6m	2.5m	3m	SM	Good	Good	40+	Two large street trees of generally good form.	B (1)	4.8m 4.8m	72.4m ² 72.4m ²
T332-338	Pear (<i>Pyrus communis</i>)	10m	250mm	2.5m	4m	2.5m	Y	Good	Good	40+	Some trees with sparse canopies.	C (2)	3.0m	28.3m ²
T339	False acacia (<i>Robinia pseudoacacia</i>)	10m	6 stems @ 150mm	N5m E5m S5m W4m	2m	2m N	SM	Good	Fair	20+	Multi-stemmed coppice; low retaining wall approximately 1m to east.	C (1)	4.4m	61.1m ²
T340	Common lime (<i>Tilia x europaea</i>)	10m	400mm est	4m	1.5m	2m E	EM	Fair	Fair	40+	Grows above low retaining wall; epicormic growth at base limits survey; some insignificant dieback.	B (1)	4.8m	72.4m ²

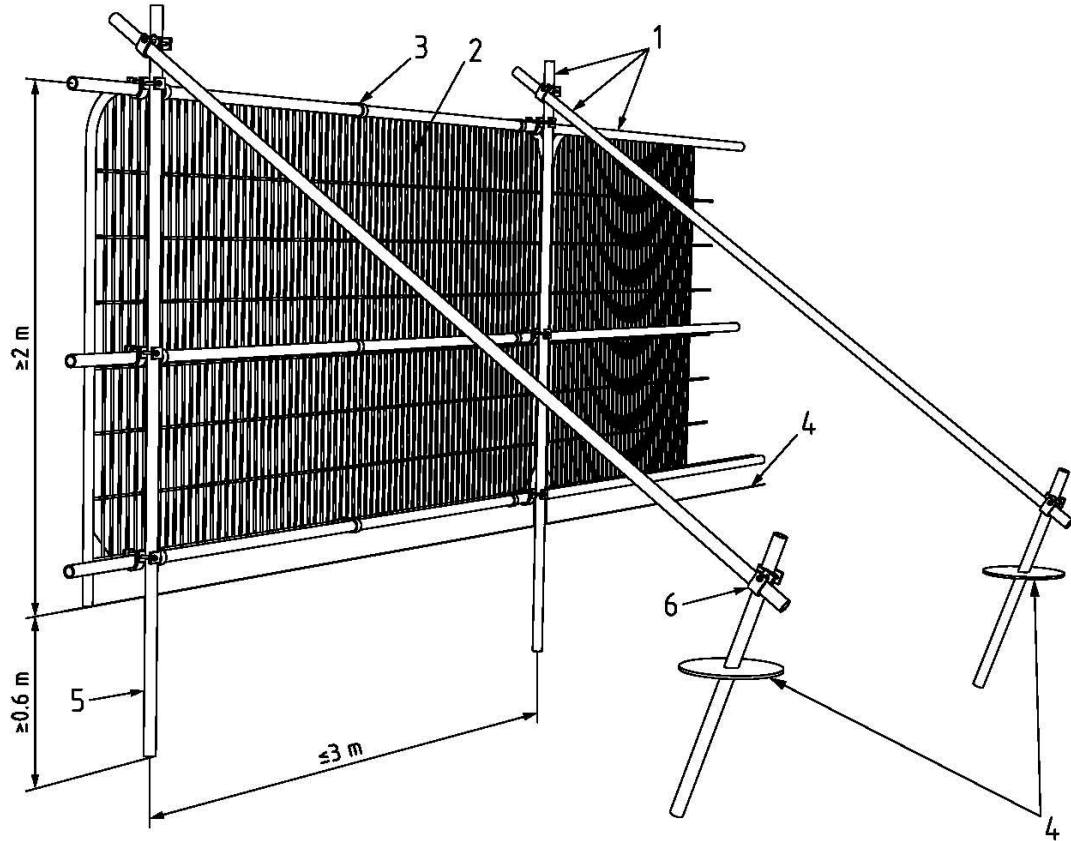
Appendices

The Former Stag Brewery, Mortlake

Project Number: WIE18671-102

Document Reference: WIE18671-102-R-6-3-2-AIA

C. Example Specification for Tree Protection Barrier.



Key

- 1 Standard scaffold poles
- 2 Heavy gauge 2 m tall galvanized tube and welded mesh infill panels
- 3 Panels secured to uprights and cross-members with wire ties
- 4 Ground level
- 5 Uprights driven into the ground until secure (minimum depth 0.6 m)
- 6 Standard scaffold clamps

Appendices

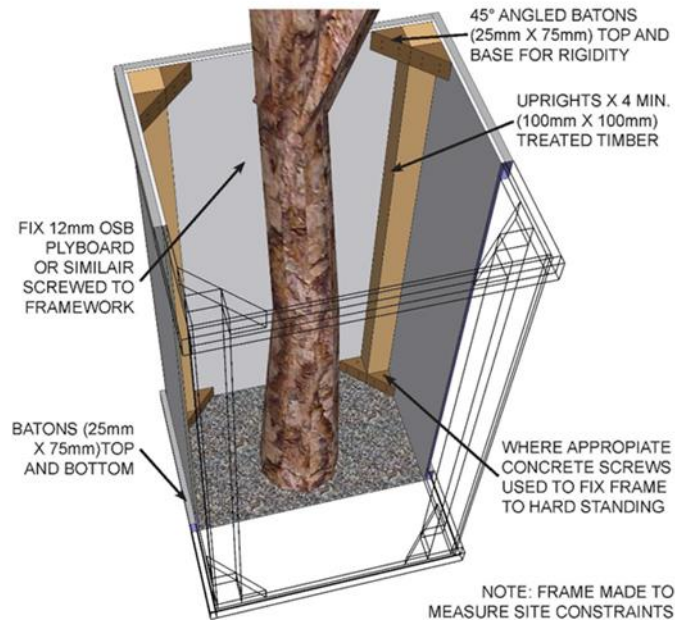
D. Tree Protection Signage (Example)



E. Tree Protection Box Specification



TREE PROTECTION BOX FRAME SPECIFICATION



Appendices

UK and Ireland Office Locations

