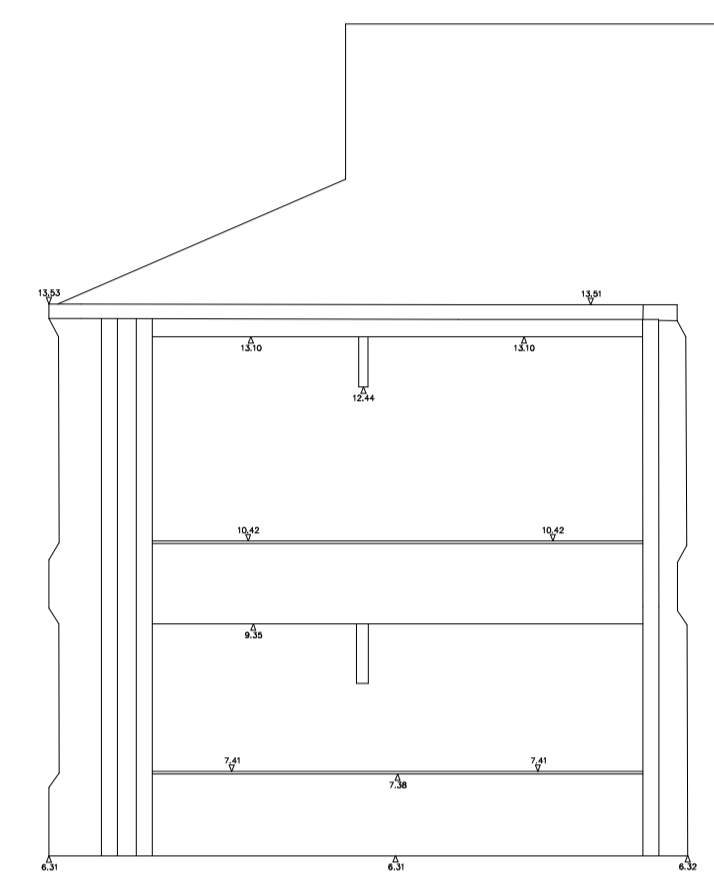


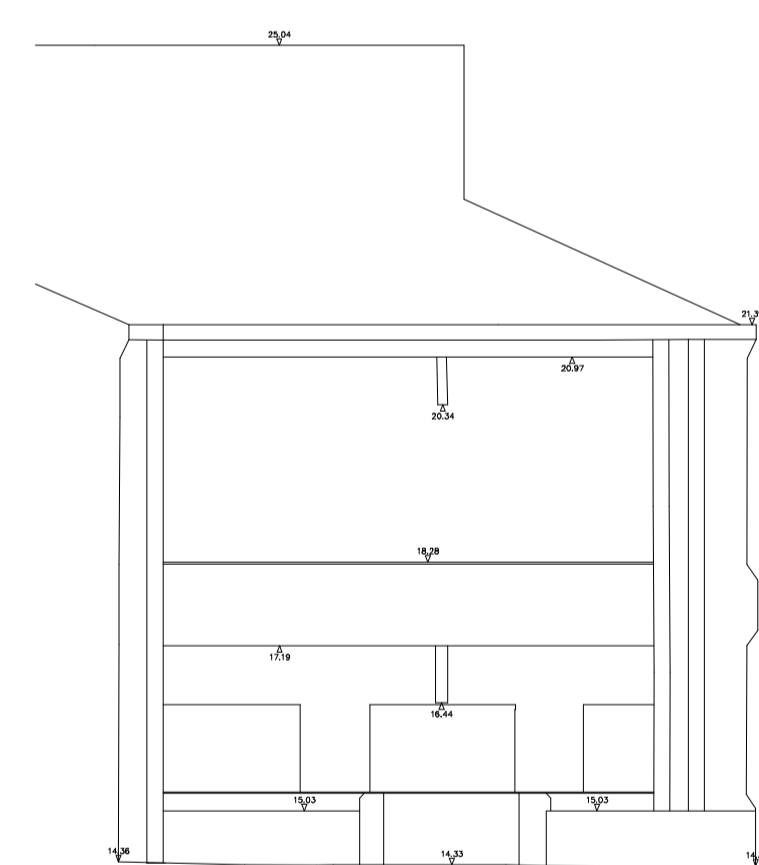
DATUM 3.00m

ELEVATION 11



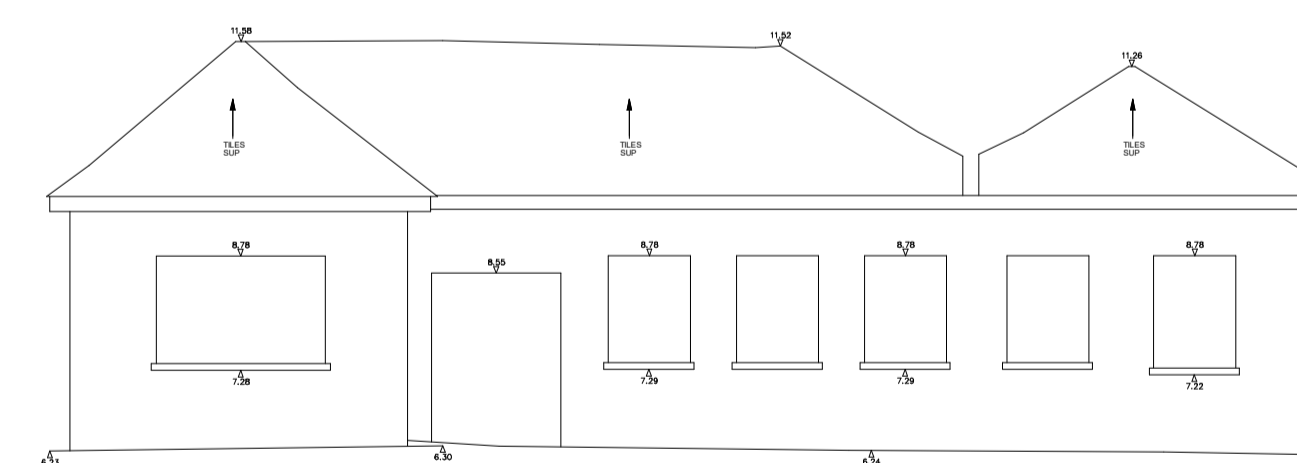
DATUM 3.00m

ELEVATION 12



DATUM 3.00m

ELEVATION 13



DATUM 3.00m

ELEVATION 14

Revision	Description	Date	Drawn	Checked
1	For Planning Submission	17/08/2021	FS	OM



77 Endell Street  
London WC2H 9DZ  
T +44 (0)20 7240 7766  
W scottbrownrigg.com

Clients Name  
Star Land Realty UK Ltd.

Job Title  
Barnes Hospital Site

Drawing Title  
Existing Buildings - Elevations 4

Scale  
1 : 100 @A1

SBR Project No.  
18387

SBR Project No. Originator Volume Level Type Role Number  
**18387-SBR-ZZ-XX-DR-A-81304**

Subsidiary Code Status  
S4 - FOR STAGE APPROVAL

Rev  
**1**