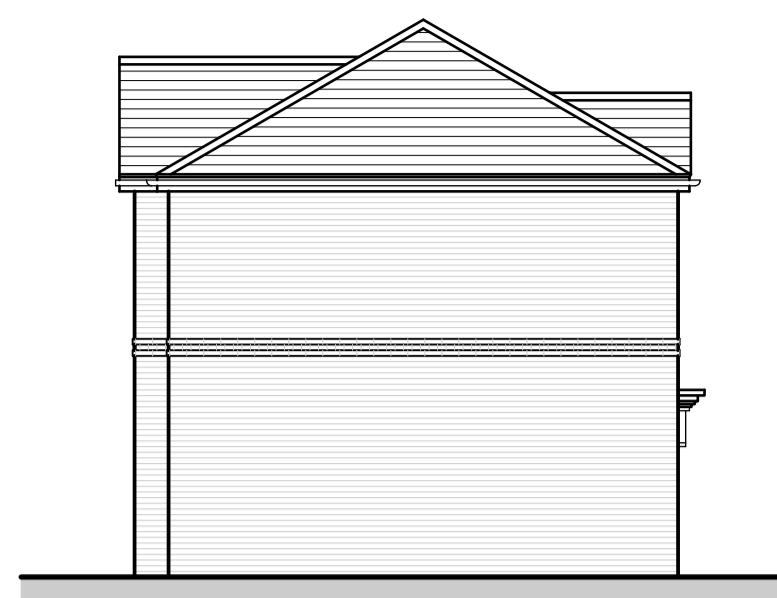


PRIOR TO THE COMMENCEMENT OF ANY WORKS, THE BUILDER IS TO CHECK AND/OR DETERMINE ALL CONSTRUCTION DETAILS, INCLUDING CHECKING EXISTING SITE LEVELS AND DIMENSIONS. THE DRAWING IS TO BE READ IN CONJUNCTION WITH ALL OTHER PROJECT DRAWINGS, CONSTRUCTION NOTES AND/OR PROJECT SPECIFICATION. ALL DISCREPANCIES SHOULD BE REPORTED IMMEDIATELY.



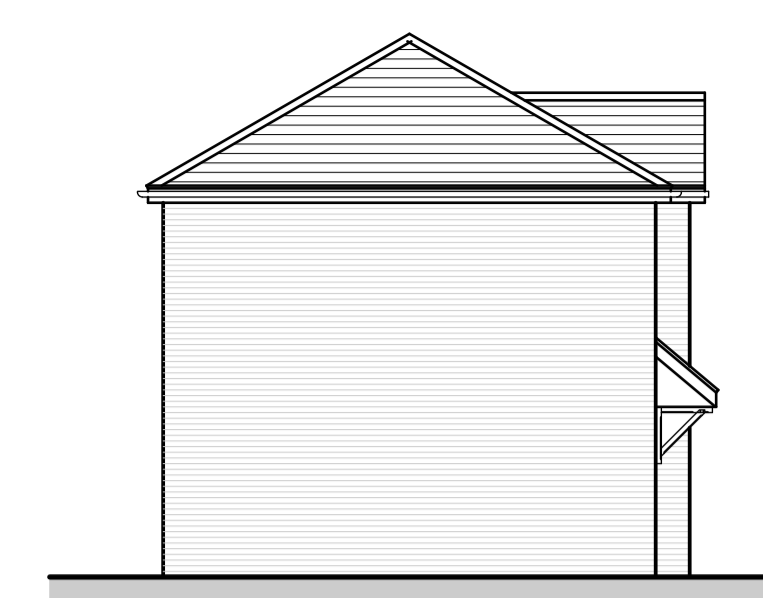
FRONT ELEVATION



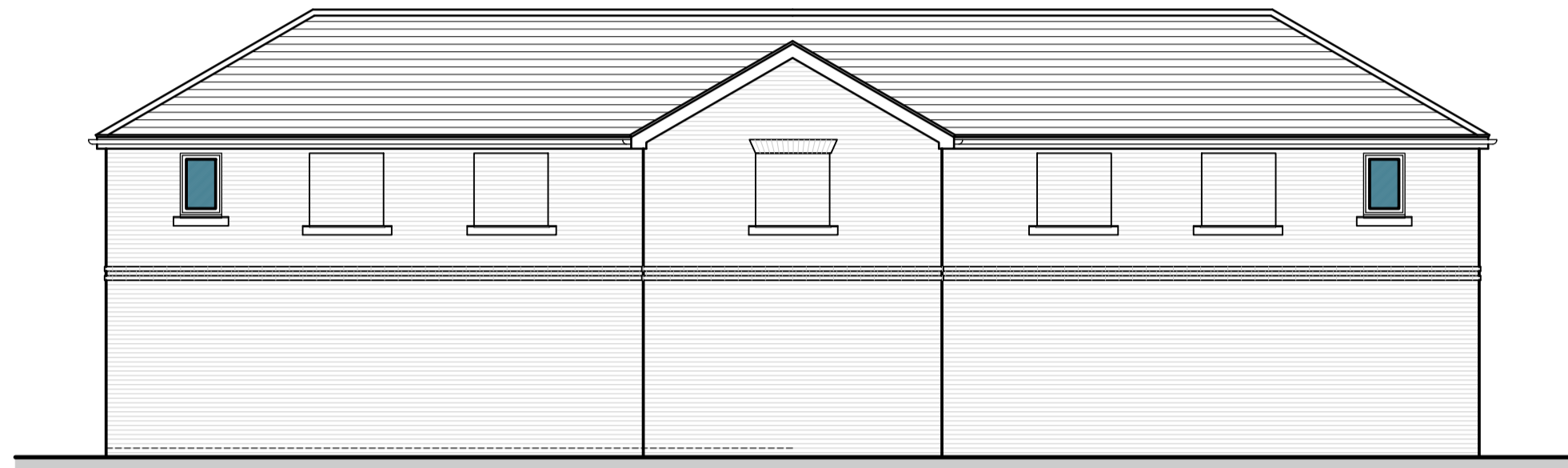
LEFT SIDE ELEVATION



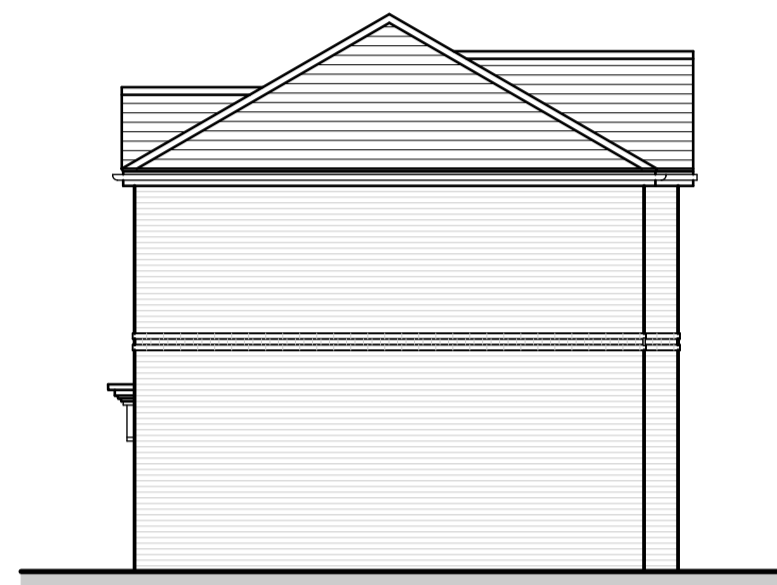
FRONT ELEVATION



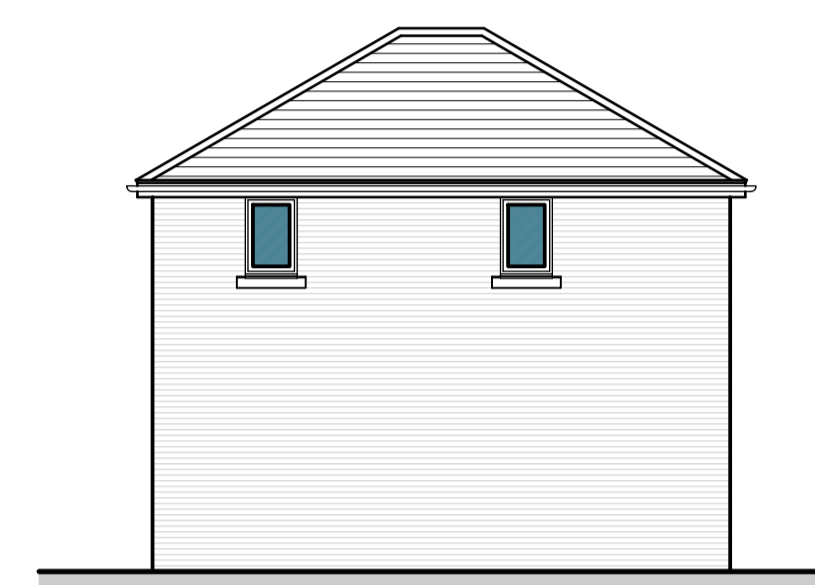
LEFT SIDE ELEVATION



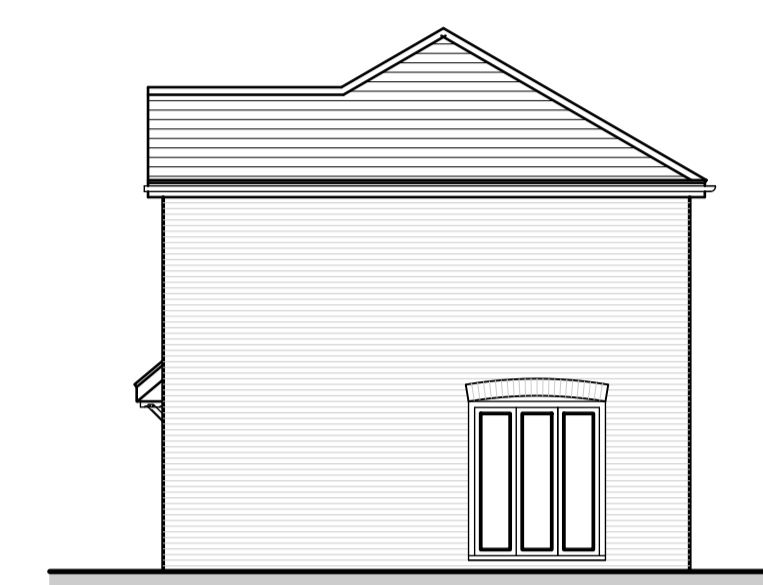
REAR ELEVATION



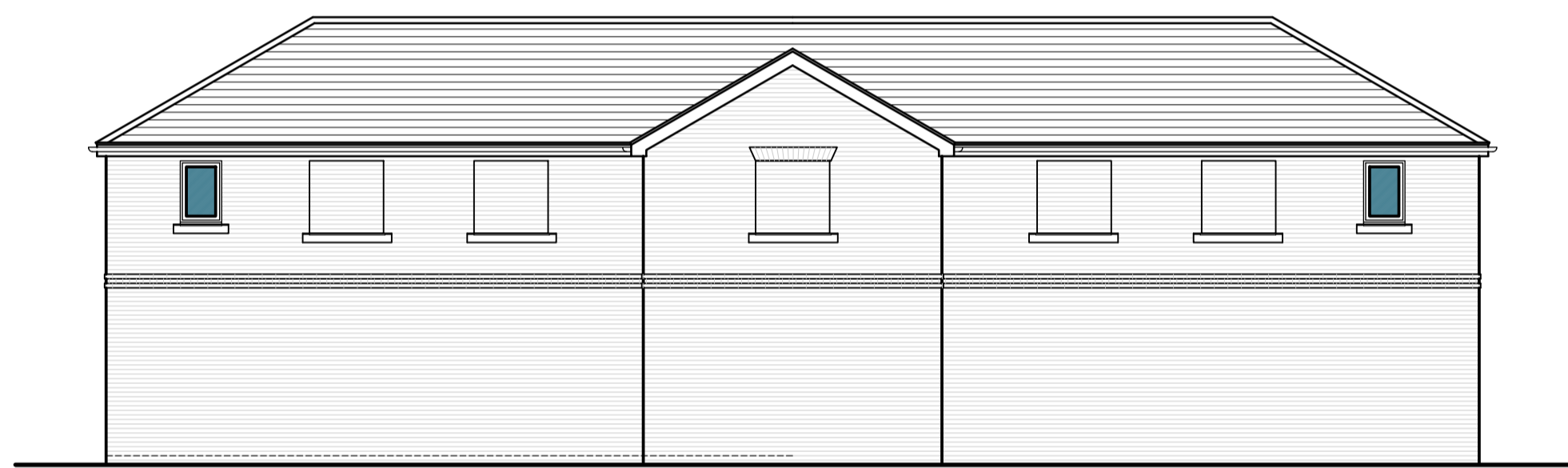
RIGHT SIDE ELEVATION



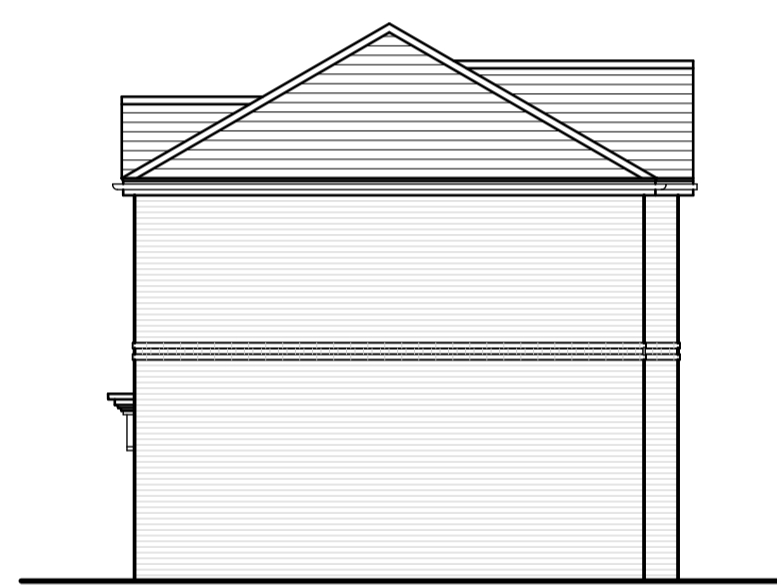
REAR ELEVATION



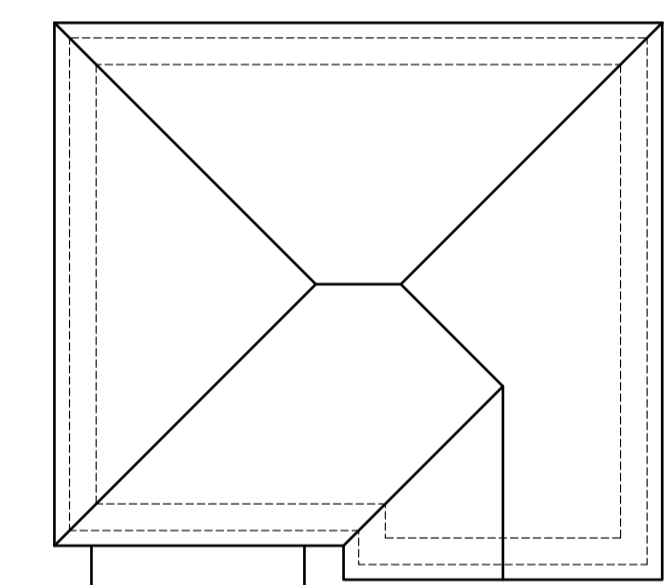
RIGHT SIDE ELEVATION



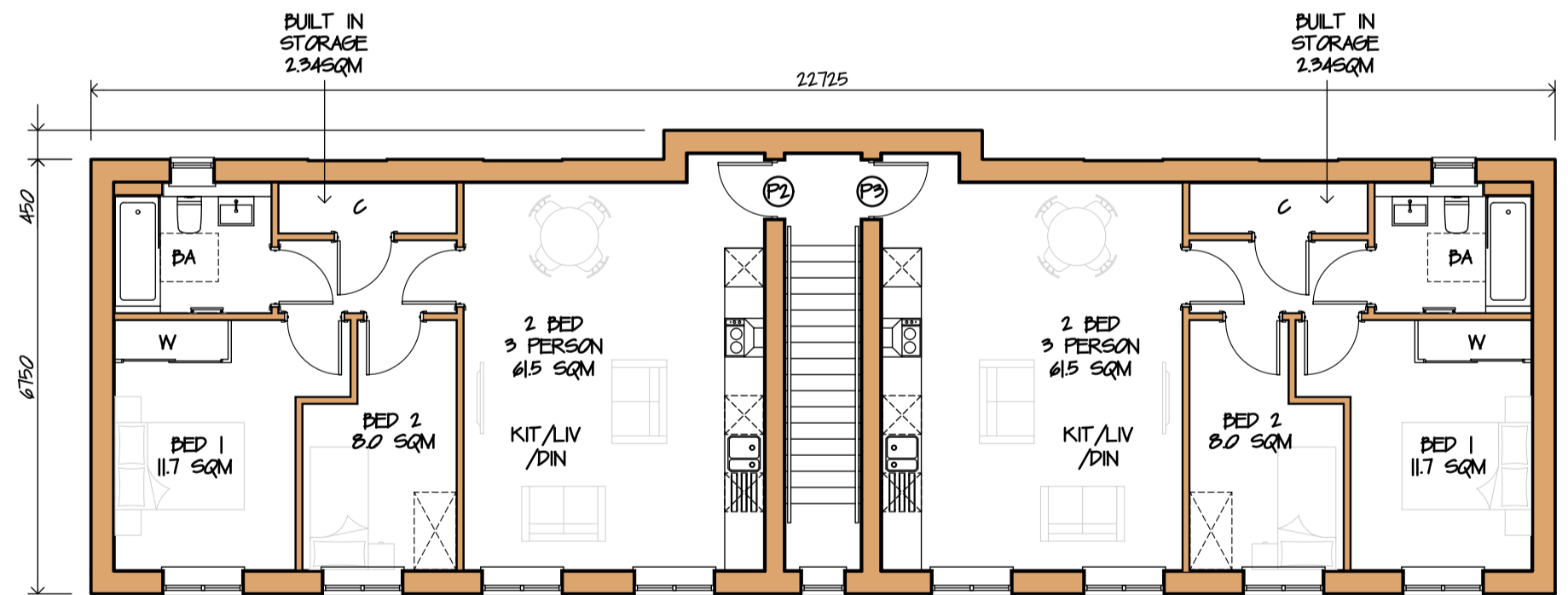
REAR ELEVATION



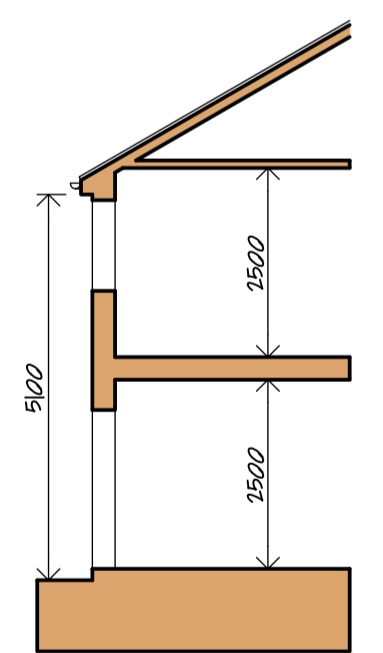
RIGHT SIDE ELEVATION



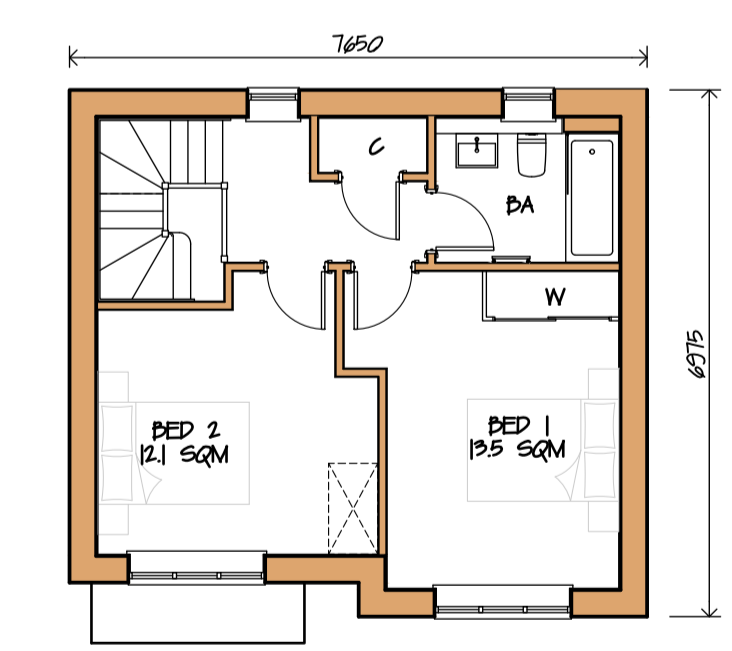
ROOF LAYOUT



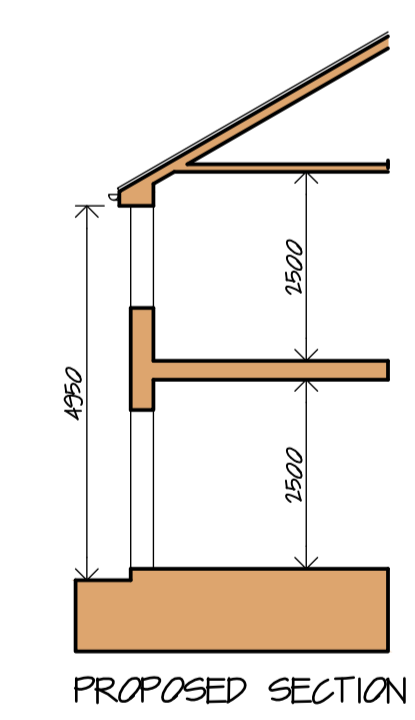
FIRST FLOOR LAYOUT



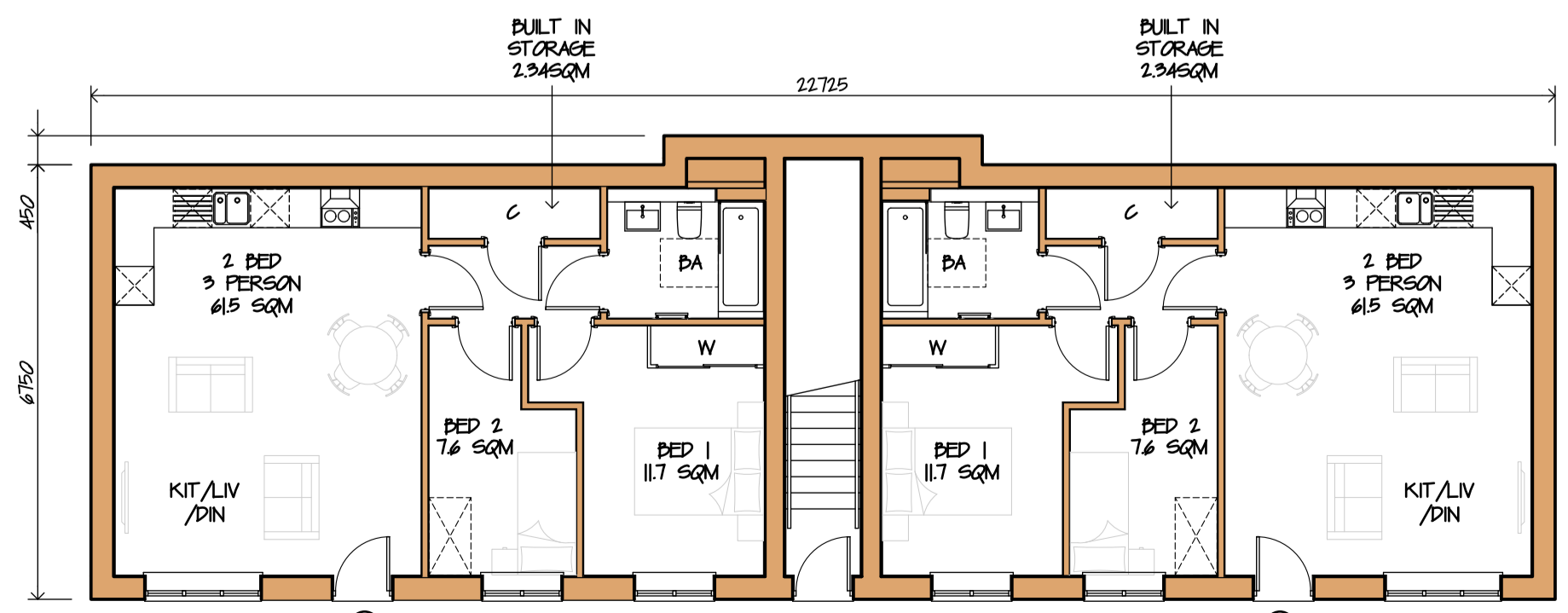
PROPOSED SECTION



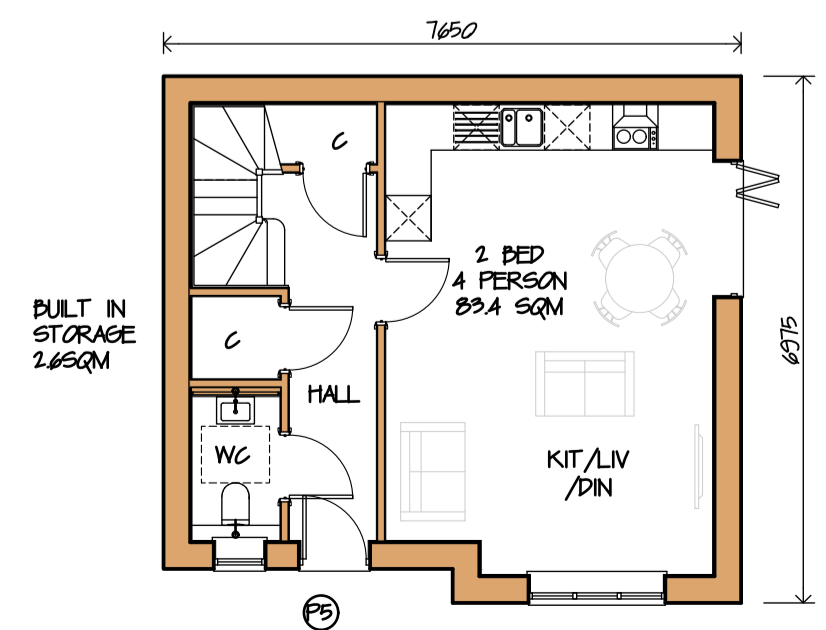
FIRST FLOOR LAYOUT



PROPOSED SECTION



GROUND FLOOR LAYOUT



GROUND FLOOR LAYOUT

Rev	Date	Details	Drawn

Client:

Site Address:
SOUTH WORPLE WAY
EAST SHEEN, LONDON

Description:
PROPOSED PLANS AND ELEVATIONS

Status:	PLANNING		
Date:	NOV 2022	Scale:	1:100@A1
Drawn:	MN	Checked:	TCA
Job Number:	1332	Drawing Number:	04
		Revision:	-

Dorset House,
297-299 Kingston Road,
Leatherhead,
KT22 7PL
Tel: 01372 466443
Email: info@tcalimited.com
www.tcalimited.com

THIS DRAWING IS THE COPYRIGHT OF TAYLOR COX ASSOCIATES AND MUST NOT BE USED IN CONJUNCTION WITH ANY OTHER PROJECT WITHOUT WRITTEN CONSENT.