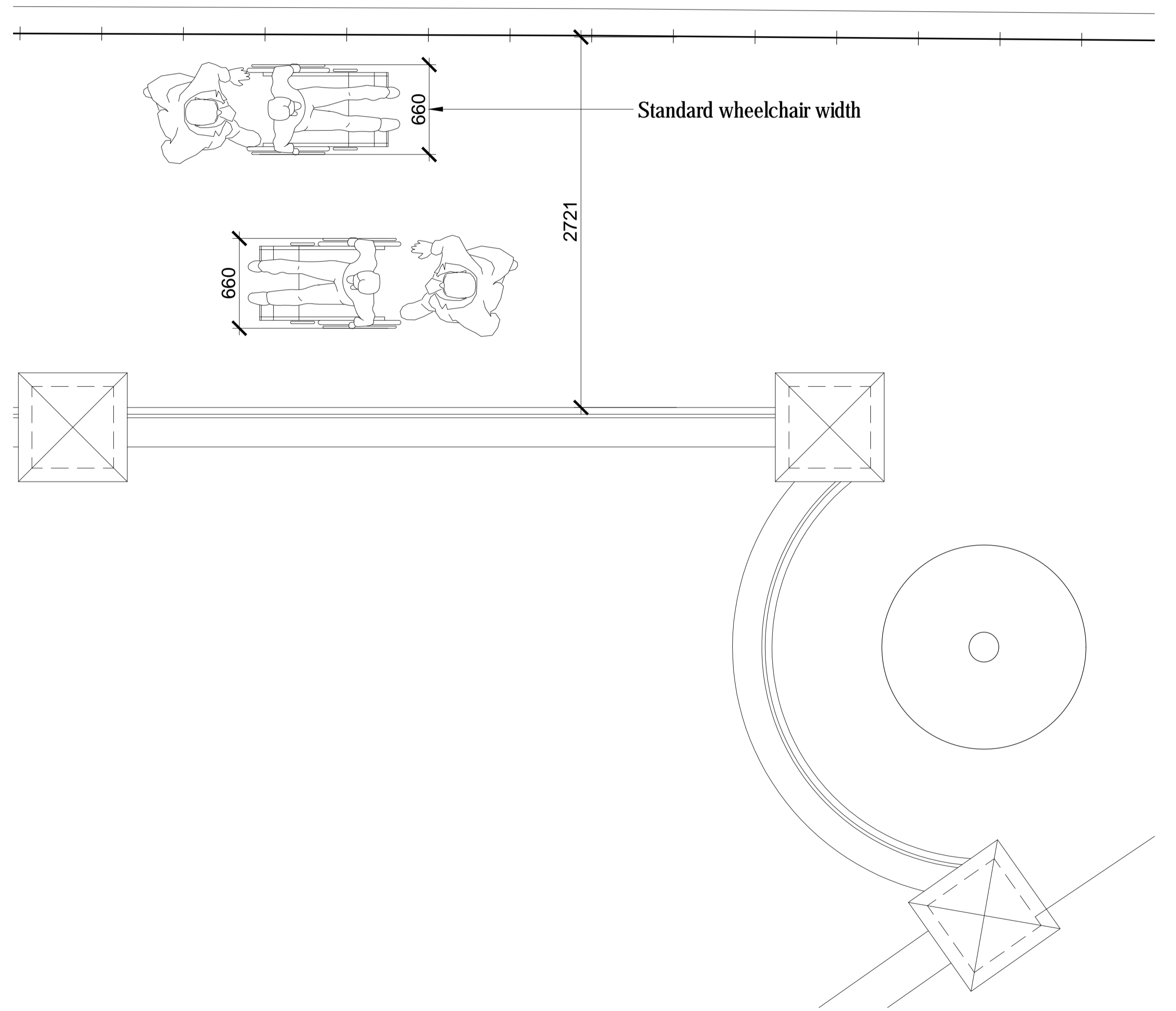


Proposed River Path - Western End Extract

Scale @ 1:25 @ A1



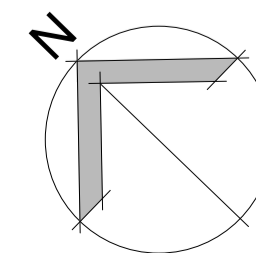
Proposed River Path - Eastern End Extract

Scale @ 1:25 @ A1

Notes:

General Notes

This drawing is to be read in conjunction with all relevant design team specifications and drawings.
 All dimensions are to be checked on site prior to commencement of work any discrepancies reported to the Project Architect.
 All materials and components are to be handled, stored, protected, installed and finished strictly in accordance with the manufacturer's recommendations.
 © copyright SILVER JETTY LIMITED



REV	DATE	DESCRIPTION	INITIALS
P4	31.05.2023	PLANNING ISSUE	CJB

The Boathouse Limited

The Boathouse

Ranelagh Drive
Twickenham
TW1 1QZ

Proposed Eastern and Western Path Extracts

1:100 @ A1

Project No	PL-063	Phase	P4
Project Name	SJ 171001	Author	CJB
Issue Date	19.06.2023	Checker	JA
Discipline	PLANNING		

