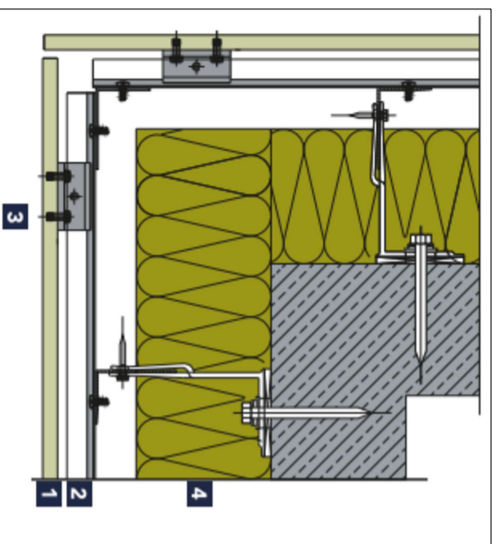
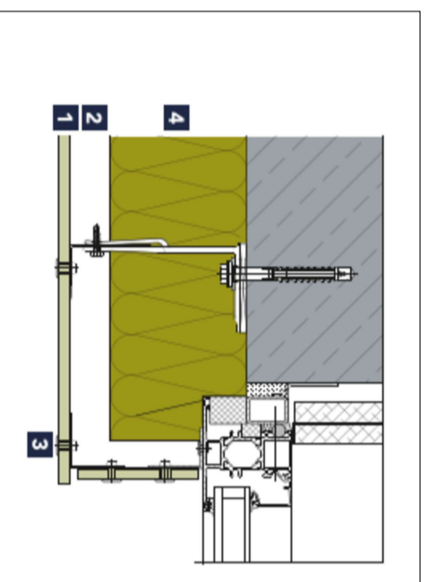


Concealed Fixing, External Corner



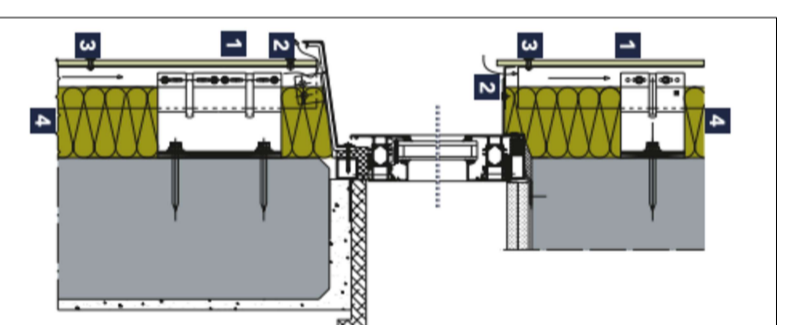
- 01 Stone Panel
- 02 Ventilation
- 03 Concealed fixing clip
- 04 Insulation

Mechanically fixed, Horizontal Junction to a window frame



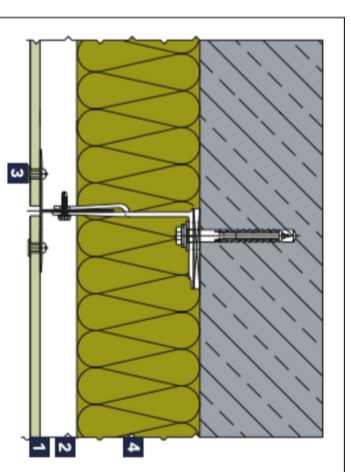
- 01 Stone Panel
- 02 Ventilation
- 03 Rivet
- 04 Insulation

Vertical section over window frame



- 01 Stone Panel
- 02 Ventilation
- 03 Rivet
- 04 Insulation

Mechanically fixed, abutment vertical joint



- 01 Stone Panel
- 02 Ventilation
- 03 Rivet
- 04 Insulation

Rev	Date	Description

FLUENT
ARCHITECTURAL DESIGN SERVICES
69-71 WINDMILL ROAD, SUNBURY,
MIDDLESEX, TW16 7DT
TEL: 0800 0438838
EMAIL: INFO@FLUENT-ADS.CO.UK
WEB: FLUENT-ADS.CO.UK

Kingston Bridge House
Church Grove, Hampton Wick

Detail Sheet 2

Scale	Dwg No.
1:10 @ A3	FLU.1191.3.29
Date	Rev
31.07.23	
Drawn	
N.Millin	