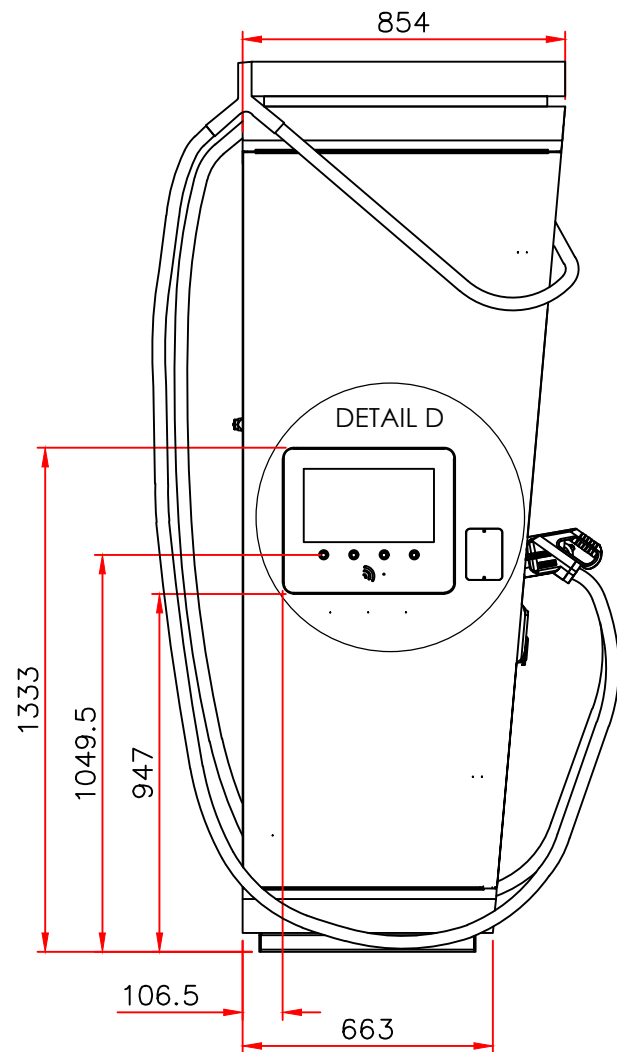
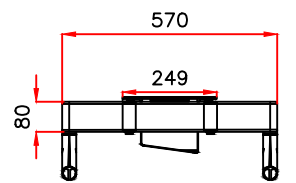
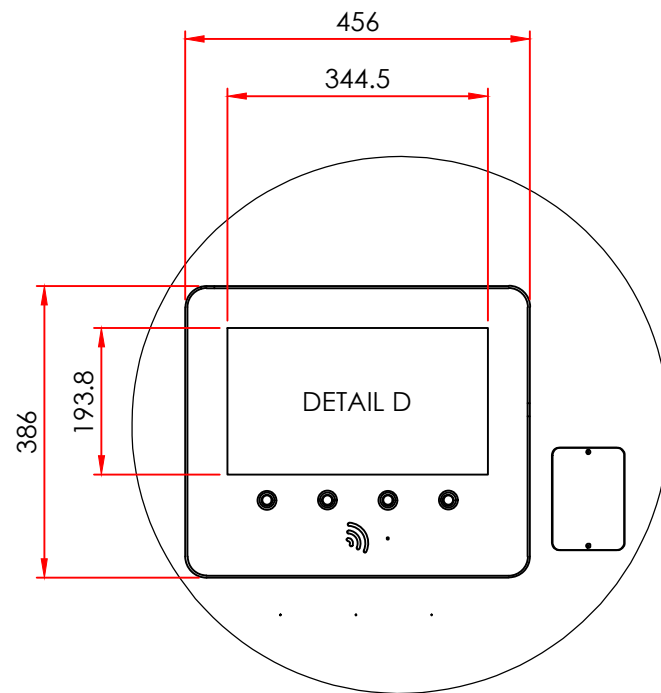
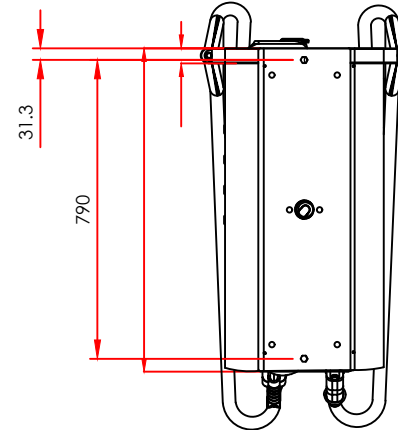


FRONT ELEVATION



SIDE ELEVATION

PLAN ELEVATION



CABLE MANAGEMENT

(Scale 1:20)



Notes:

1. Alpitronic 100-150kW Charger
2. Single charge point can charge 2 vehicles simultaneously
3. Mode 4 charging
4. Socket type: single/double CCS dependant of deployment - See site layout drawing
5. Length of cable: 5m supported cables
6. Colour screen
7. Contactless supported
8. External Materials - Powder coated stainless steel

REV	DATE	BY	DESCRIPTION	CHK	APD
C	19/10/23	JH	Cable Management added		
B	21/08/23	dds	Issued For Approval		
A	09/08/23	dds	Issued For Approval		


ZEST
 Zest Eco Ltd, Bond House, The Bourse,
 Boar Lane, Leeds, LS1 5EN
 web-Zest.uk.com email-operations@zest.uk.com

CLIENT TRANSPORT FOR LONDON					
DESIGN ZEST					
SCALE 1:20	DATE AUG'23	DRAWN dds	CHECKED	APPROVED	SHT A3
DRAWING No. TFL-0000-06-A					

PROJECT TFL ON STREET RAPID – TRANCHE 1
TITLE RAPID CHARGE POINT ALPITRONIC
FOR INFORMATION ONLY