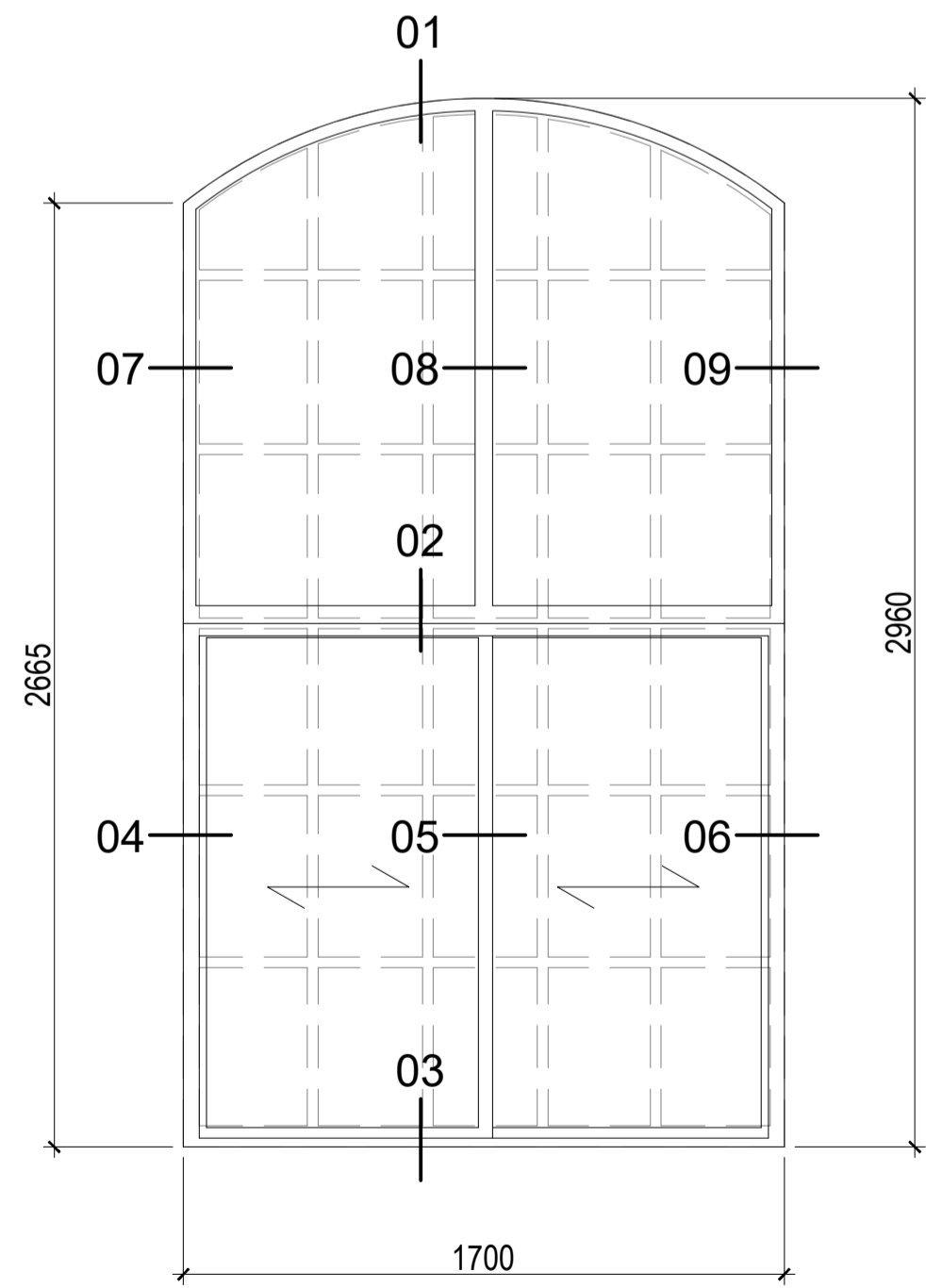
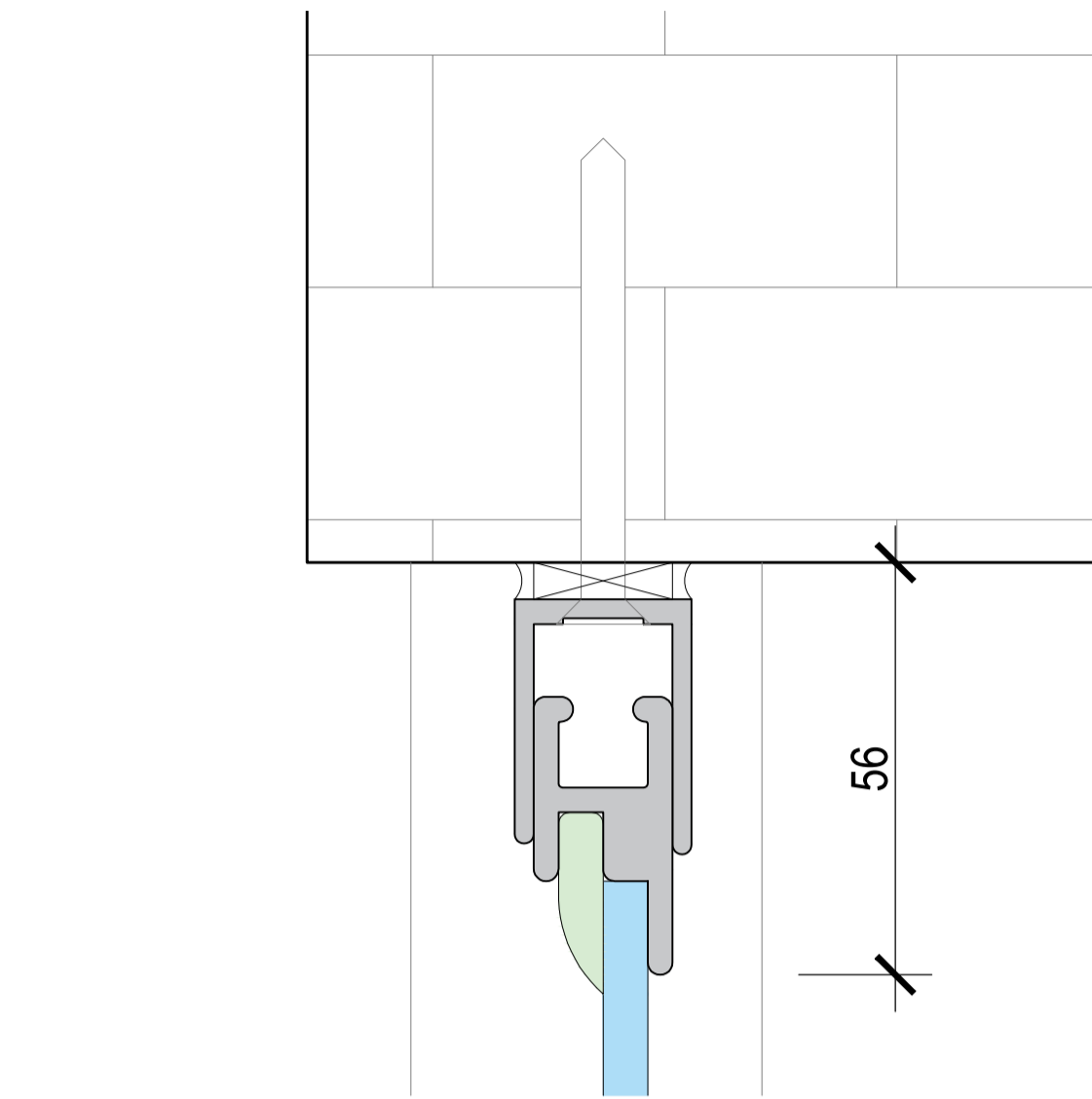


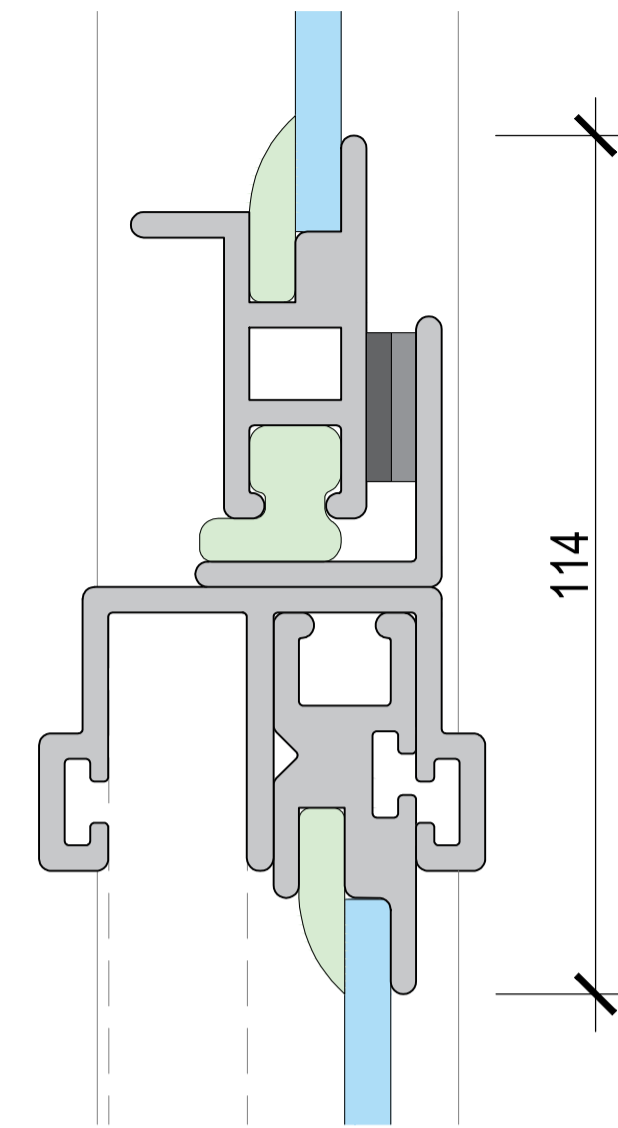
PROPOSED WEST PUMPHOUSE - WINDOW CONDITION TYPE 06 1A



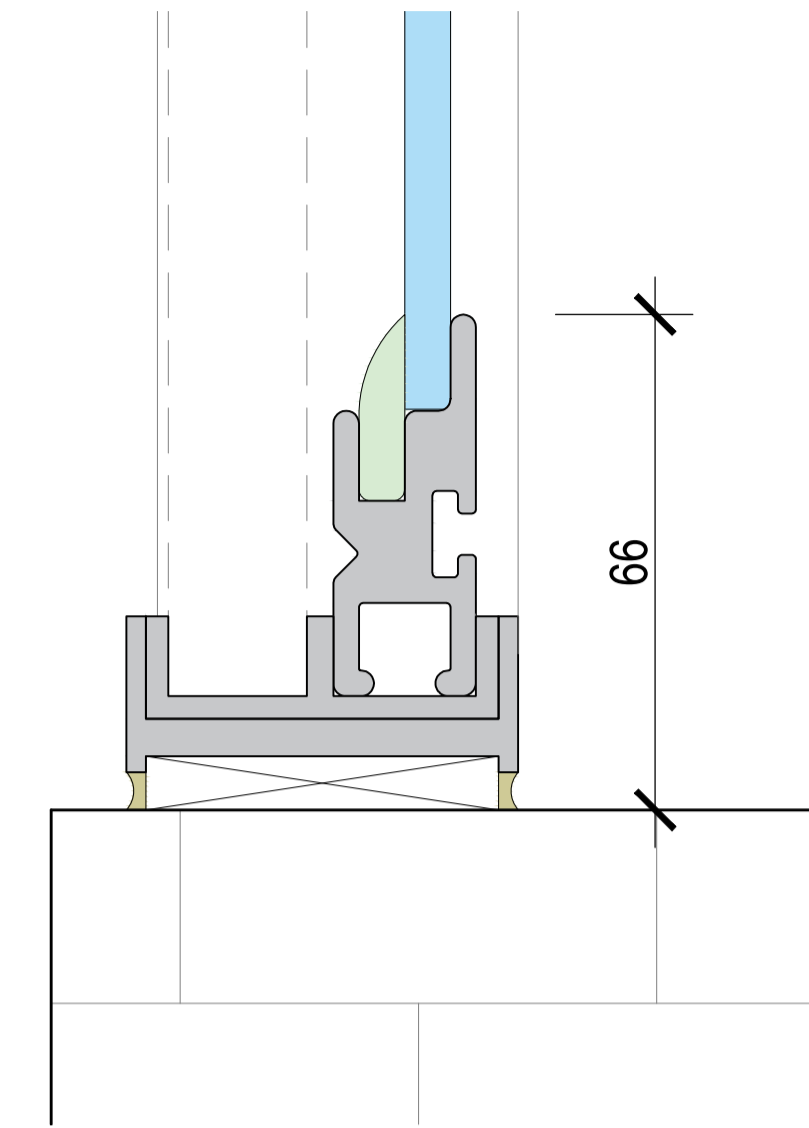
PROPOSED SECONDARY GLAZING OF TYPE 06 1A



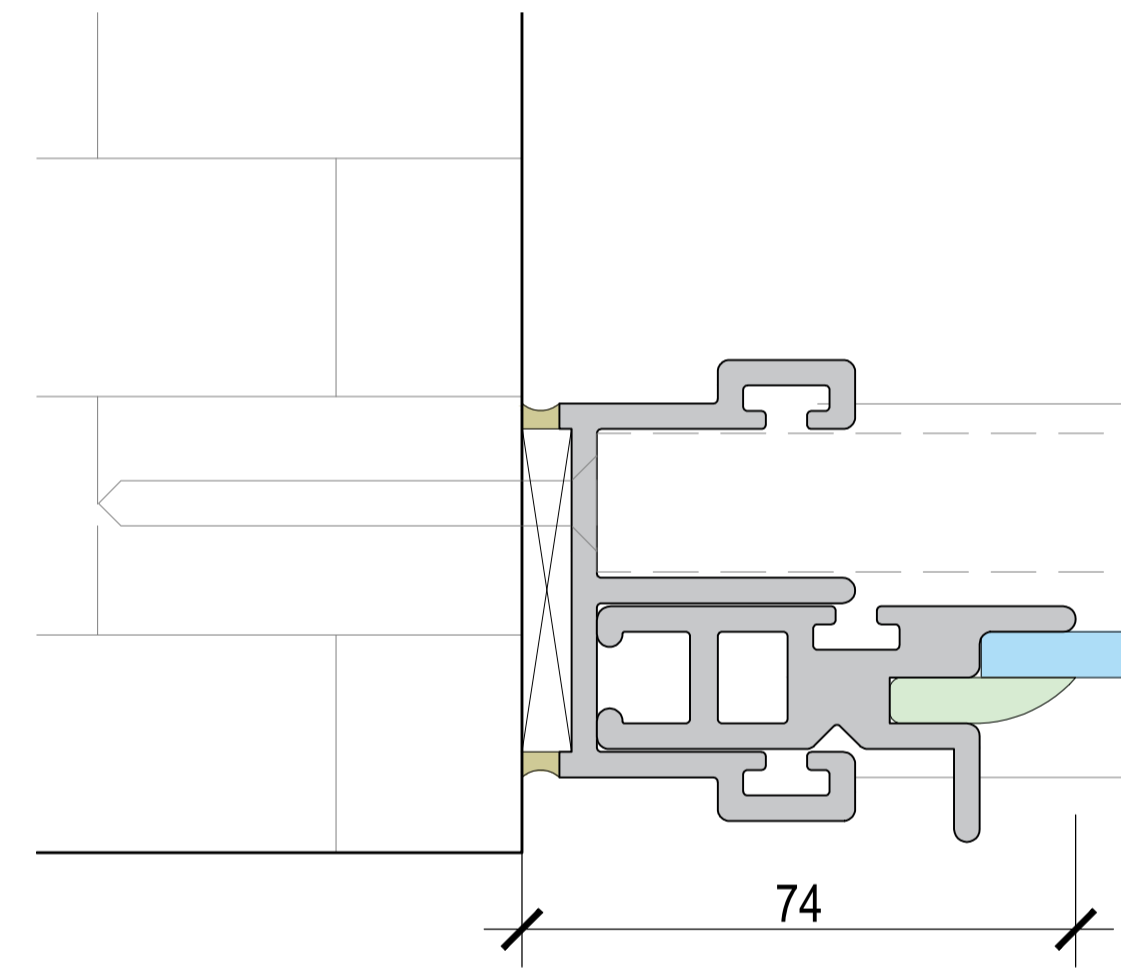
01



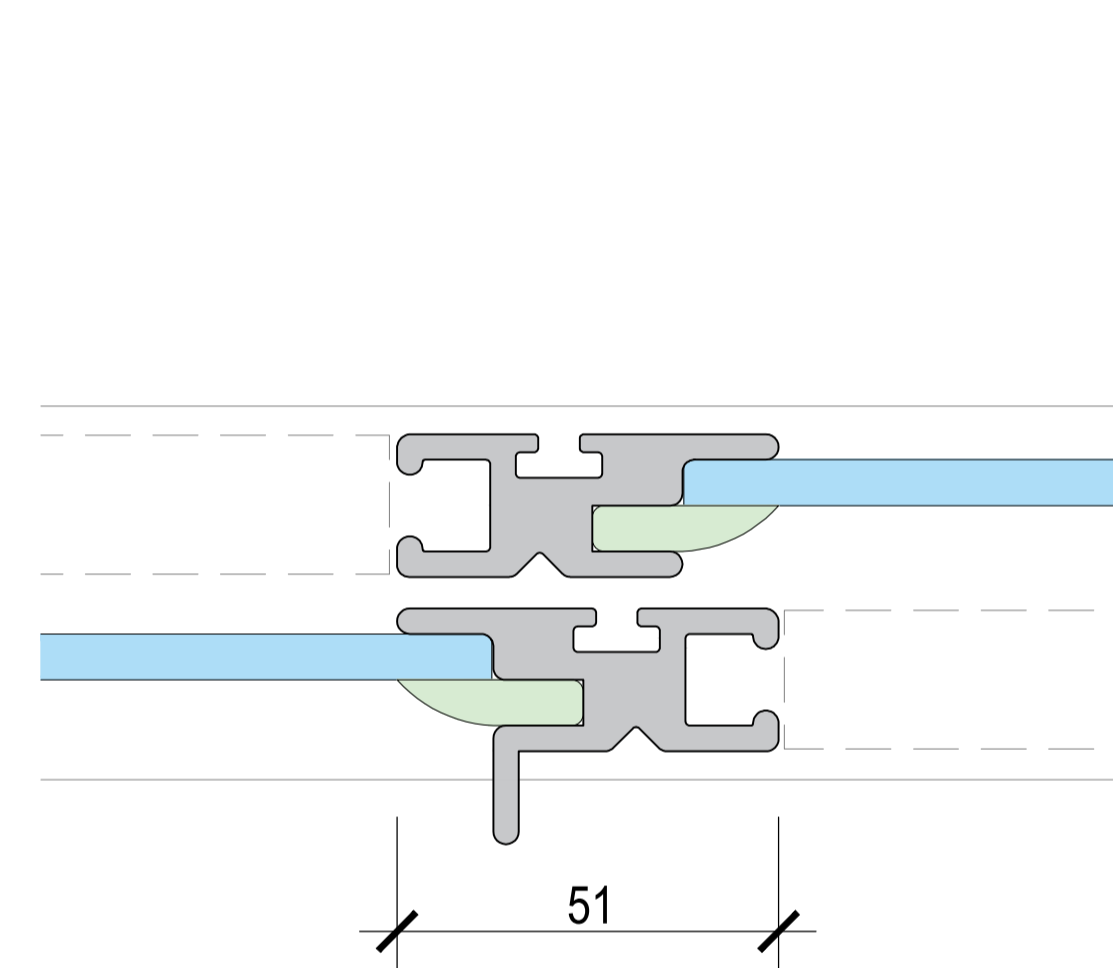
02



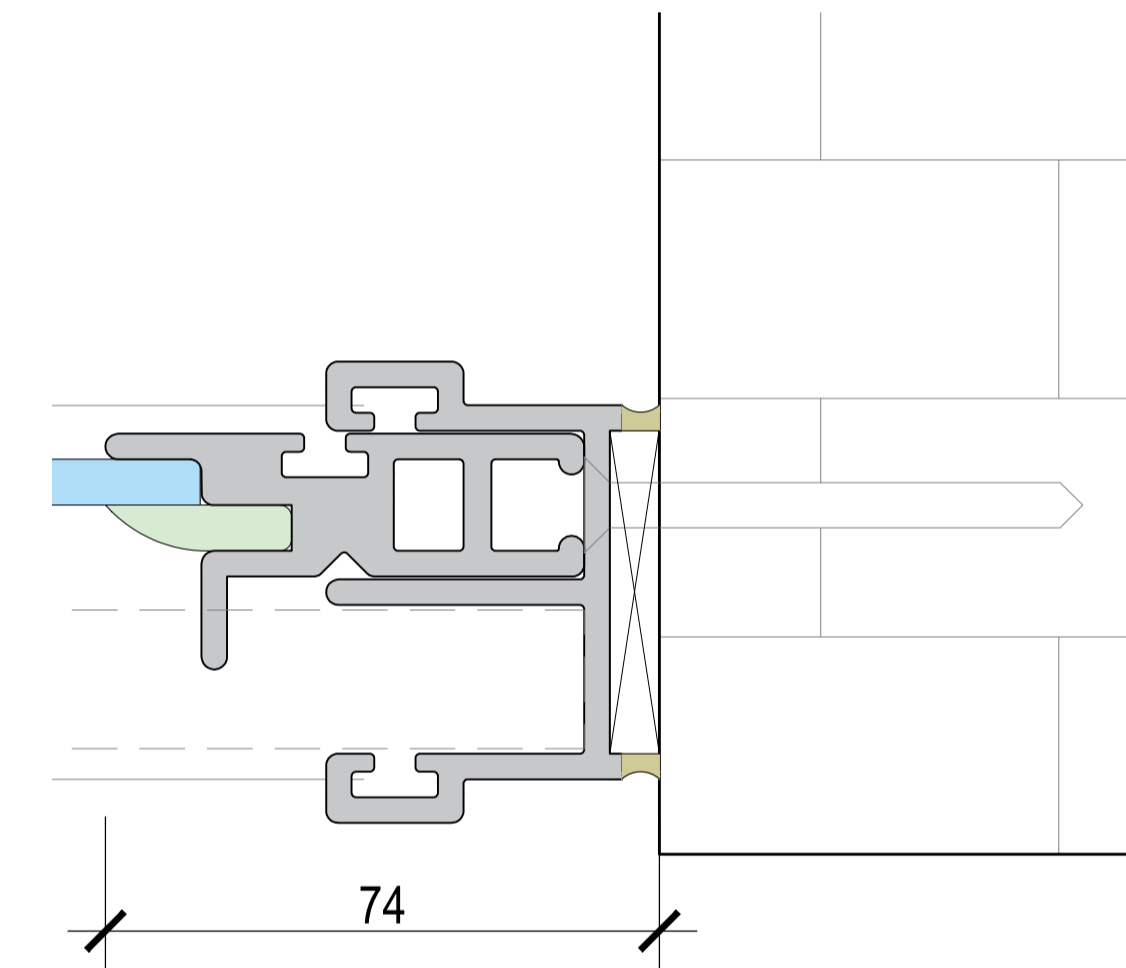
03



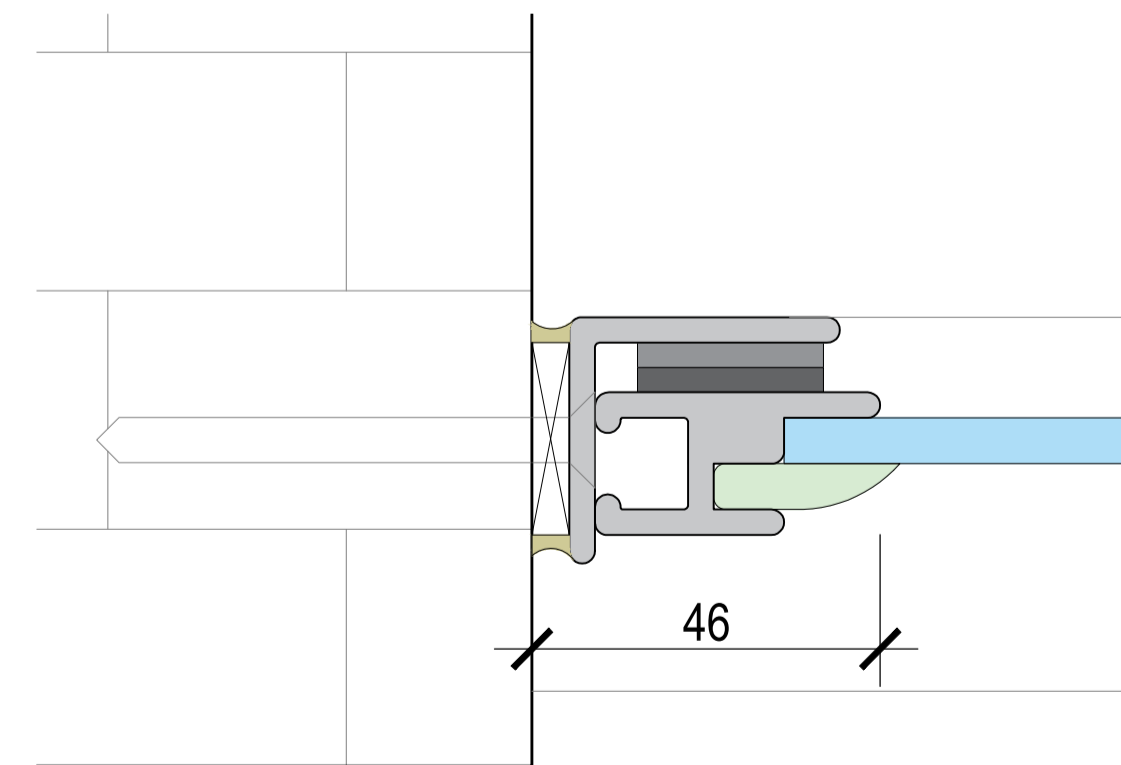
04



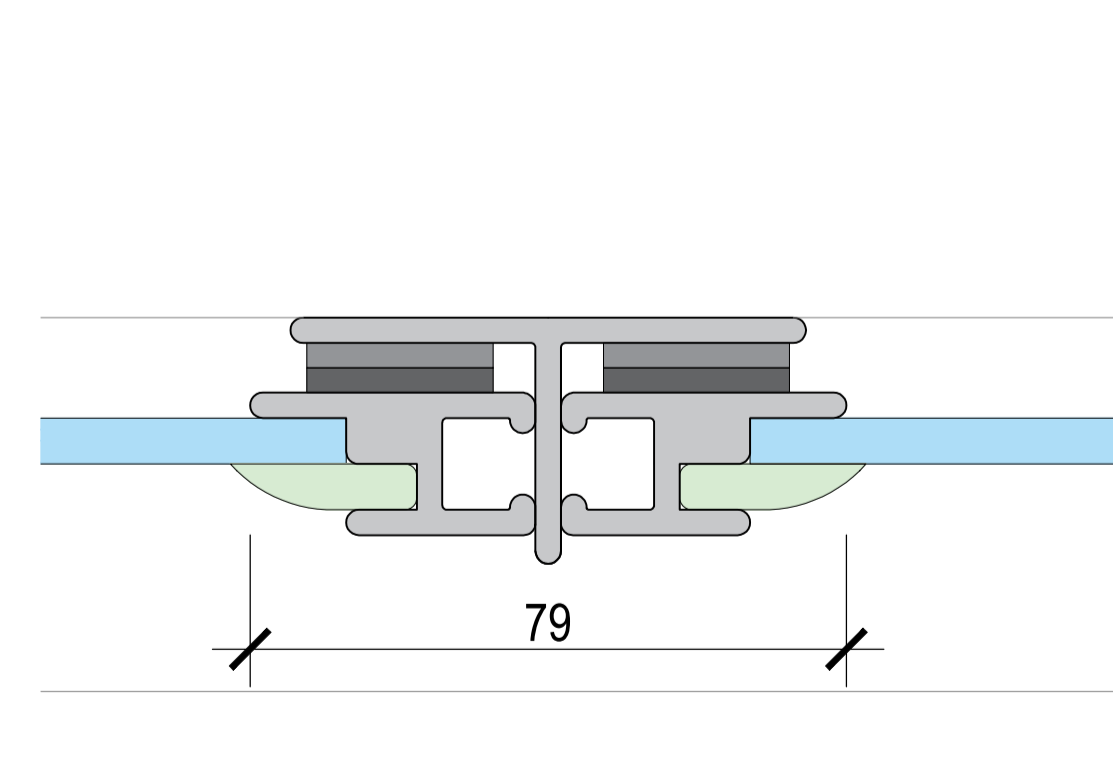
05



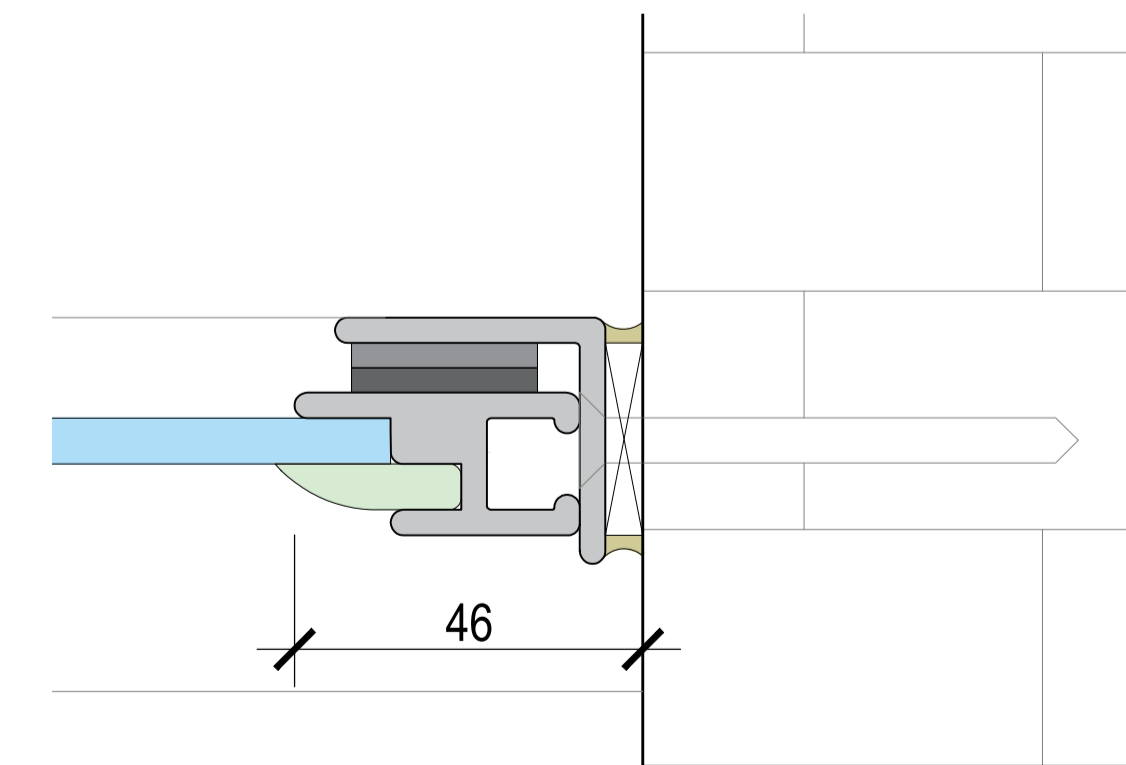
06



07



08



09

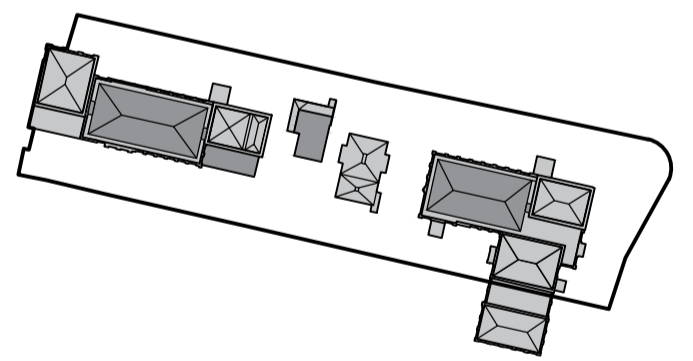
USE OF DRAWINGS

DO NOT SCALE FROM THIS DRAWING. USE WRITTEN DIMENSIONS AND CHECK ON SITE. THIS DRAWING IS BASED ON SITE INFORMATION SUPPLIED BY THIRD PARTIES AND ACCURACY OF EXISTING FEATURES IS NOT GUARANTEED. ANY ERROR, OMISSION OR DISCREPANCY NOTED ON OR BETWEEN DRAWINGS AND OTHER DOCUMENTS MUST BE REPORTED IN WRITING IMMEDIATELY. ALL MECHANICAL, ELECTRICAL AND STRUCTURAL LAYOUTS / COMPONENTS ARE INDICATIVE AND MUST BE DESIGNED AND CHECKED BY SPECIALISTS. DO NOT START WORK ON SITE BEFORE CONFIRMING THAT ALL NECESSARY STATUTORY AND OTHER CONSENTS HAVE BEEN OBTAINED. THIS DRAWING IS COPYRIGHT AND MUST NOT BE DISTRIBUTED WITHOUT PERMISSION. ELECTRONIC CAD FILES MUST NOT BE ALTERED OR COPIED.

REVISIONS

REV	DATE	DESCRIPTION	CHECKED	DRAWN
-	16.12.2022	INITIAL ISSUE	LW	JF

IN PROGRESS



client
WATERFALL
PLANNING LTD

project
HAMPTON WATERWORKS

drawing title
PROPOSED SECONDARY
GLAZING DETAILS TYPE 06 1A

sheet size scale
A1 1:1 @ A1

status
PRELIMINARY

drawing no. revision
1685-A-P062 -

LOM architecture and design
The Glass House 5 Sclater Street London E1 6JY UK
Phone +44(0)20 8444 2999 Email mail@lom-fdp.com
Web www.lom-architecture.com