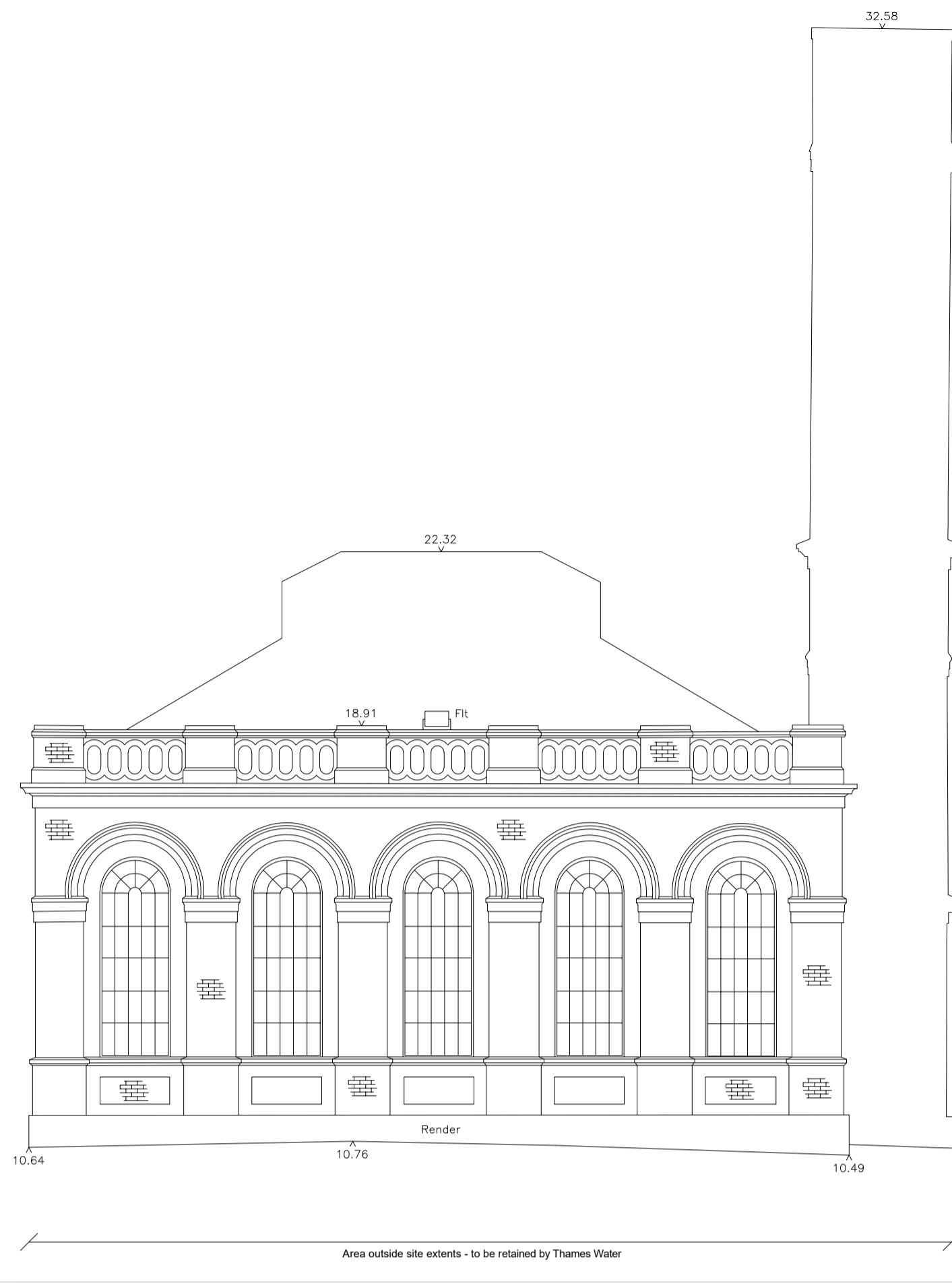


USE OF DRAWINGS

DO NOT SCALE FROM THIS DRAWING. USE WRITTEN DIMENSIONS AND CHECK ON SITE. THIS DRAWING IS BASED ON SITE INFORMATION SUPPLIED BY THIRD PARTIES AND ACCURACY OF EXISTING FEATURES IS NOT GUARANTEED. ANY ERROR, OMISSION OR DISCREPANCY NOTED ON OR BETWEEN DRAWINGS AND OTHER DOCUMENTS MUST BE REPORTED IN WRITING IMMEDIATELY. ALL MECHANICAL, ELECTRICAL AND STRUCTURAL LAYOUTS / COMPONENTS ARE INDICATIVE AND MUST BE DESIGNED AND CHECKED BY SPECIALISTS. DO NOT START WORK ON SITE BEFORE CONFIRMING THAT ALL NECESSARY STATUTORY AND OTHER CONSENTS HAVE BEEN OBTAINED. THIS DRAWING IS COPYRIGHT AND MUST NOT BE DISTRIBUTED WITHOUT PERMISSION. ELECTRONIC CAD FILES MUST NOT BE ALTERED OR COPIED.

REVISIONS

REV	DATE	DESCRIPTION	CHECKED	DRAWN
-	11.10.2019	INITIAL ISSUE	MC	KW
A	04.11.2019	CHANGES TO ROOF EXTENSION	MC	KW
B	04.05.2020	CHANGES TO LEVELS/EAVES	SJ	RH
C	27.05.2020	GENERAL ISSUE	SJ	RH
D	25.07.2023	DESIGN REVIEW AMENDMENTS	LW	JF
E	26.05.2023	HISTORIC ENGLAND FOR COMMENT	JF	JF



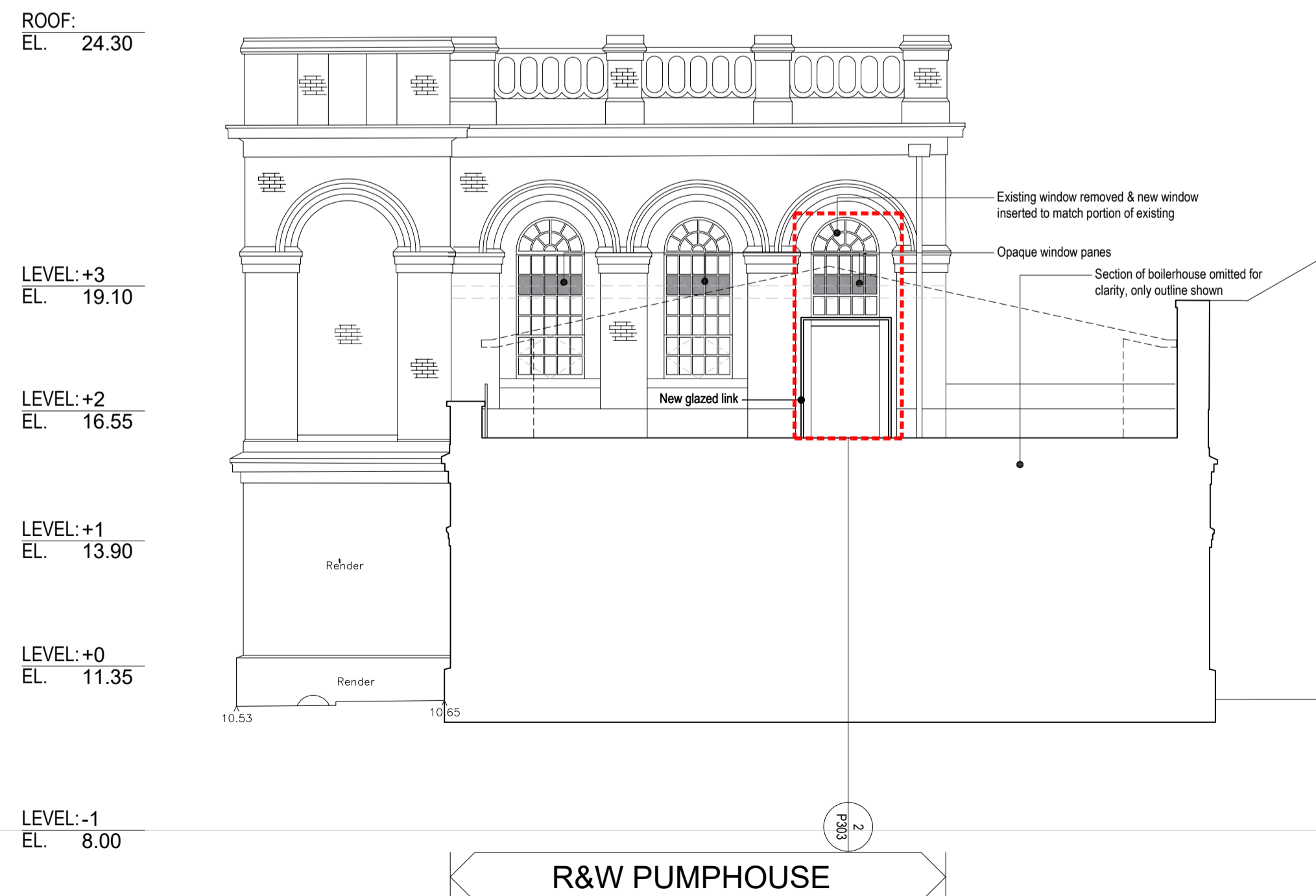
SCALE 1:100
Ruston & Ward - Elevation 5



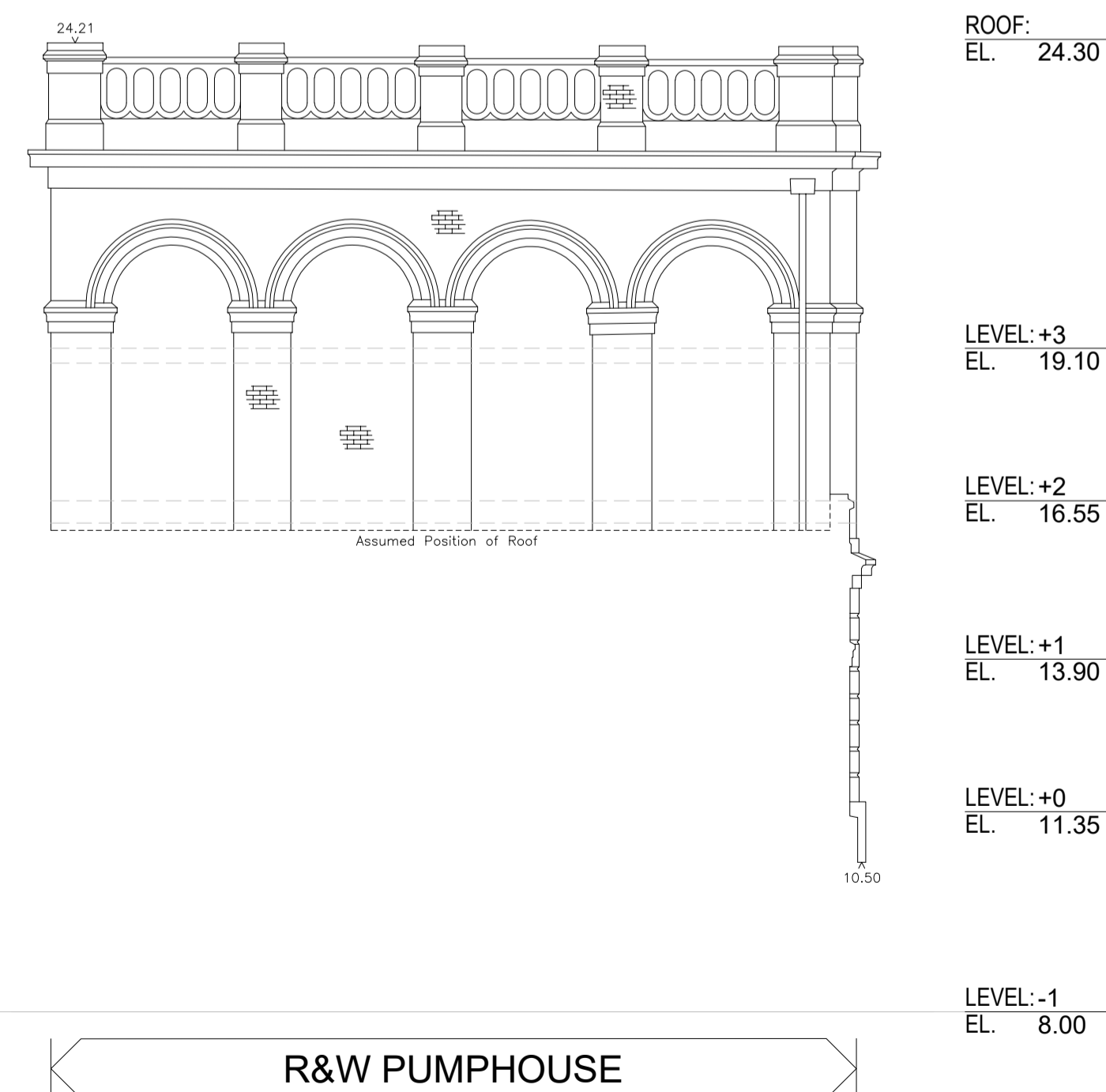
SCALE 1:100
Ruston & Ward - Elevation 6

IN PROGRESS

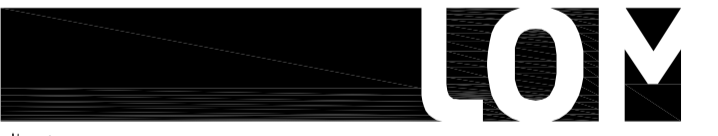
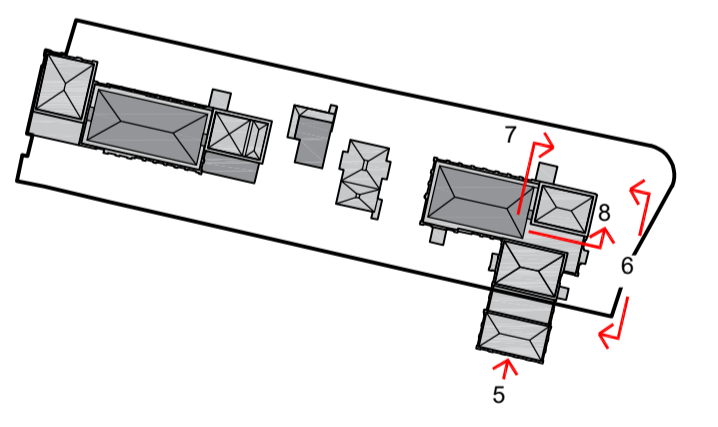
- Proposed internal levels
- Changes to existing facade
- Opaque panel to secondary glazing
- Opaque glazing



SCALE 1:100
Ruston & Ward - Elevation 7



SCALE 1:100
Ruston & Ward - Elevation 8



client
WATERFALL PLANNING LTD

project
HAMPTON WATERWORKS

drawing title
PROPOSED ELEVATIONS - RUSTON & WARD 02

sheet size scale
A1 1:100 @ A1

status
PLANNING

drawing no. revision
1685-A-P204 E

LOM architecture and design
The Glass House 5 Sclater Street London E1 6JY UK
Phone +44(0)20 8444 2999 Email mail@lom-fdp.com
Web www.lom-architecture.com

