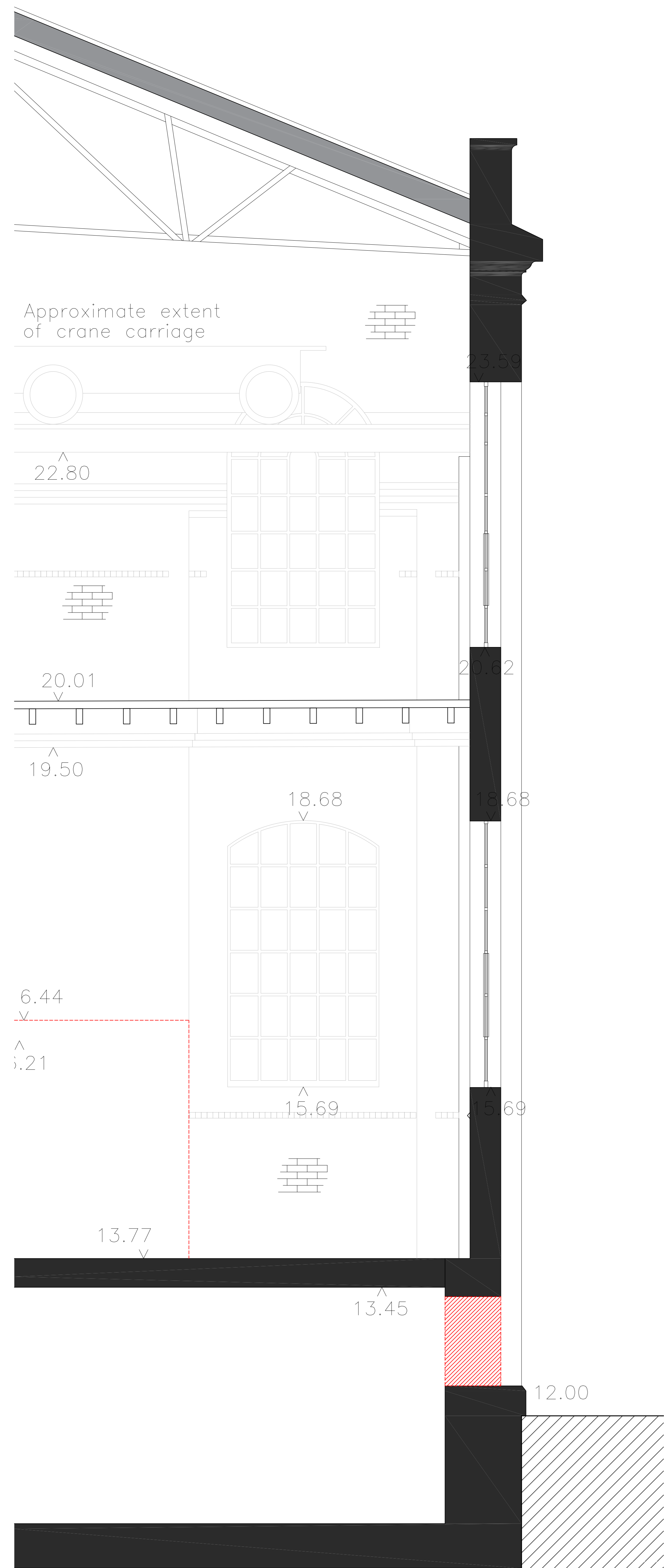
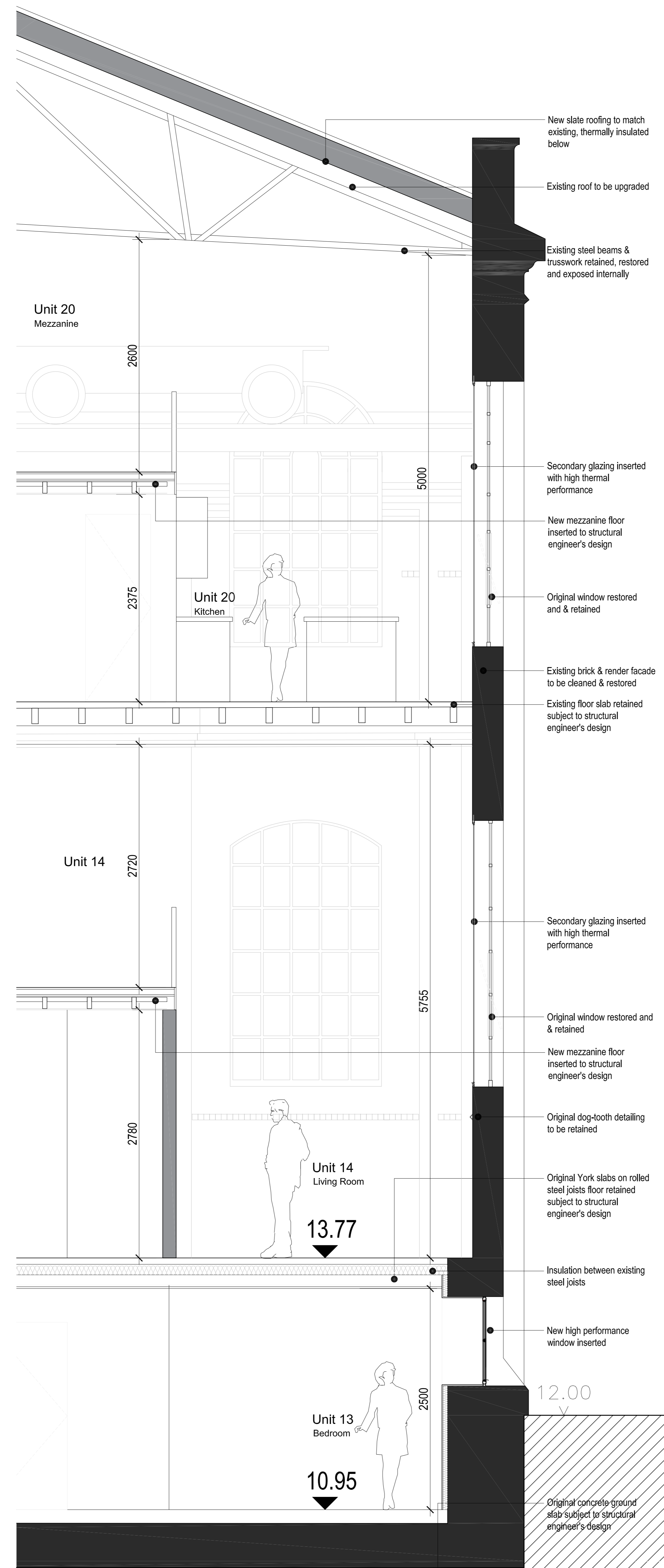


USE OF DRAWINGS
 DO NOT SCALE FROM THIS DRAWING. USE WRITTEN DIMENSIONS AND CHECK ON SITE. THIS DRAWING IS BASED ON SITE INFORMATION SUPPLIED BY THIRD PARTIES AND ACCURACY OF EXISTING FEATURES IS NOT GUARANTEED. ANY ERROR, OMISSION OR DISCREPANCY NOTICED ON OR BETWEEN DRAWINGS AND OTHER DOCUMENTS MUST BE REPORTED IN WRITING IMMEDIATELY. ALL MECHANICAL, ELECTRICAL AND STRUCTURAL LAYOUTS (COMPONENTS ARE INDICATIVE AND MUST BE DESIGNED AND CHECKED BY SPECIALISTS. DO NOT START WORK ON SITE BEFORE CONFIRMING THAT ALL NECESSARY STATUTORY AND OTHER CONSENTS HAVE BEEN OBTAINED. THIS DRAWING IS COPYRIGHT AND MUST NOT BE DISTRIBUTED WITHOUT PERMISSION. ELECTRONIC CAD FILES MUST NOT BE ALTERED OR COPIED.

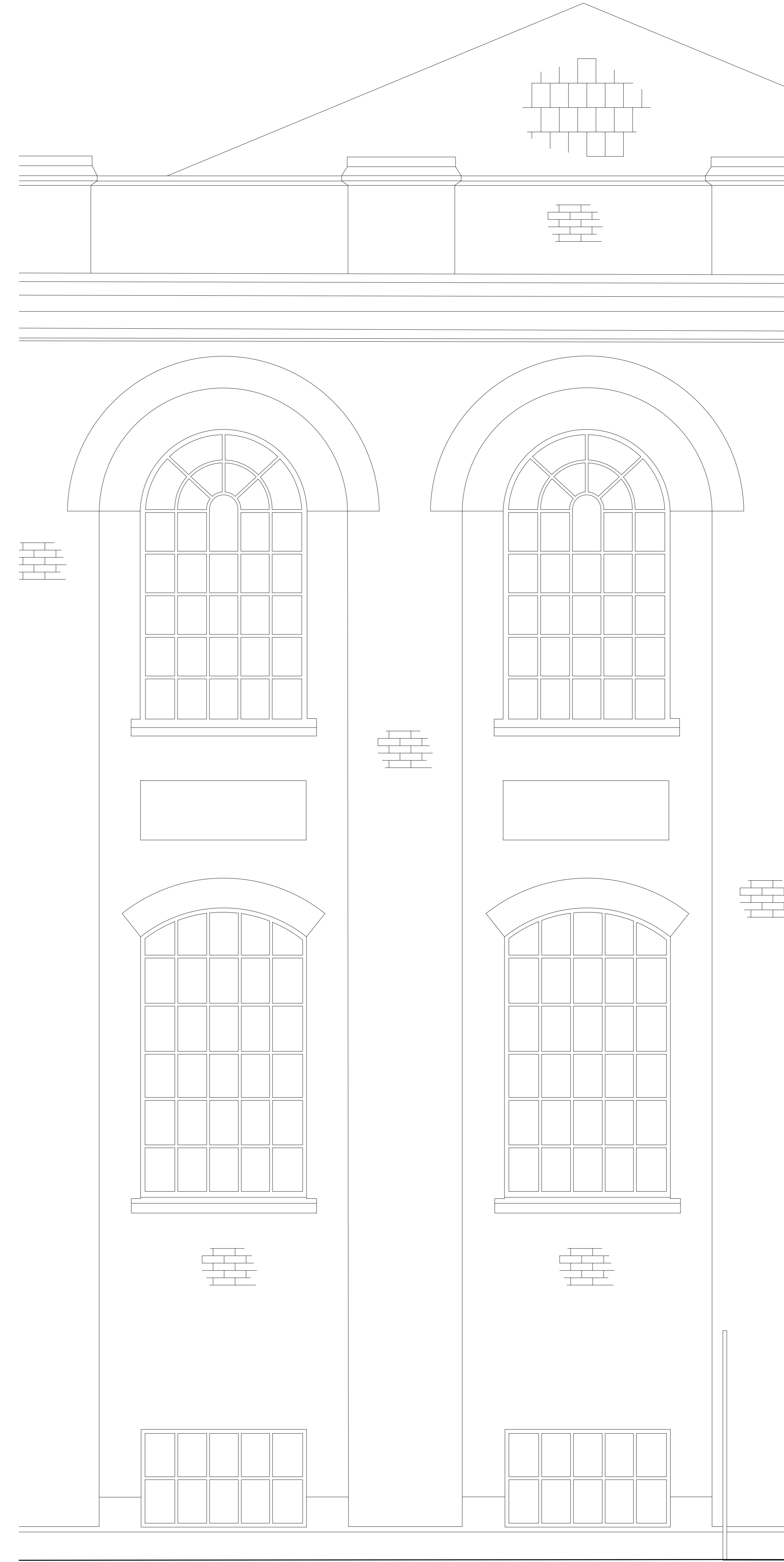
REV.	DATE	DESCRIPTION	DESIGNED	CHECKED
-	11.10.2019	INITIAL ISSUE	MC	HR
A	04.06.2020	MINOR AMENDMENTS TO SECONDARY GLAZING	SJ	RH
B	25.07.2022	DESIGN REVIEW AMENDMENTS	CA	JF



SCALE: 1:25
EXISTING PUMPHOUSE
 Enlarged Wall Section



SCALE: 1:25
PROPOSED PUMPHOUSE WITH DOUBLE HEIGHT SPACES
 Enlarged Wall Section



SCALE: 1:25
PROPOSED PUMPHOUSE WITH DOUBLE HEIGHT SPACES
 Enlarged Elevation

ROOF:
 EL. 28.00

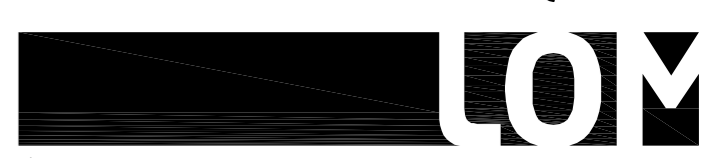
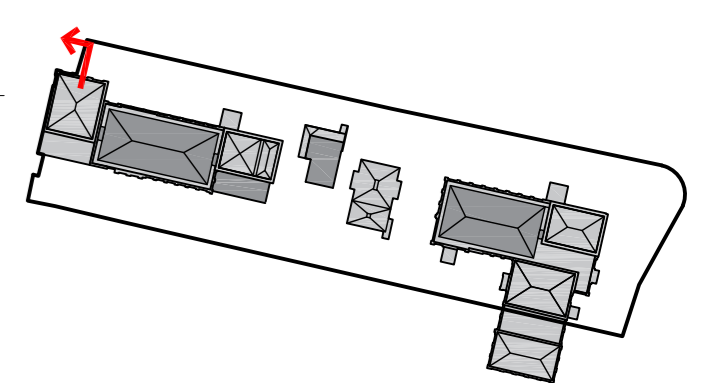
LEVEL: +4
 EL. 22.575

LEVEL: +3
 EL. 20.00

LEVEL: +2
 EL. 16.80

EL. LEVEL: +1
 13.77

LEVEL: +0
 EL. 10.95



client: WATERFALL PLANNING LTD

project: HAMPTON WATERWORKS

drawing title: PROPOSED ENLARGED WALL SECTION & ELEVATION 1

sheet size: A0 scale: 1:25 @ A0

status: PLANNING

drawing no: 1685-A-P300 revision: B

LOM architecture and design
 The Glass House, 5 Sclater Street, London E1 6JY, UK
 Phone +44(0)20 8444 2999 Email mail@lom-ftp.com
 Web www.lom-architecture.com