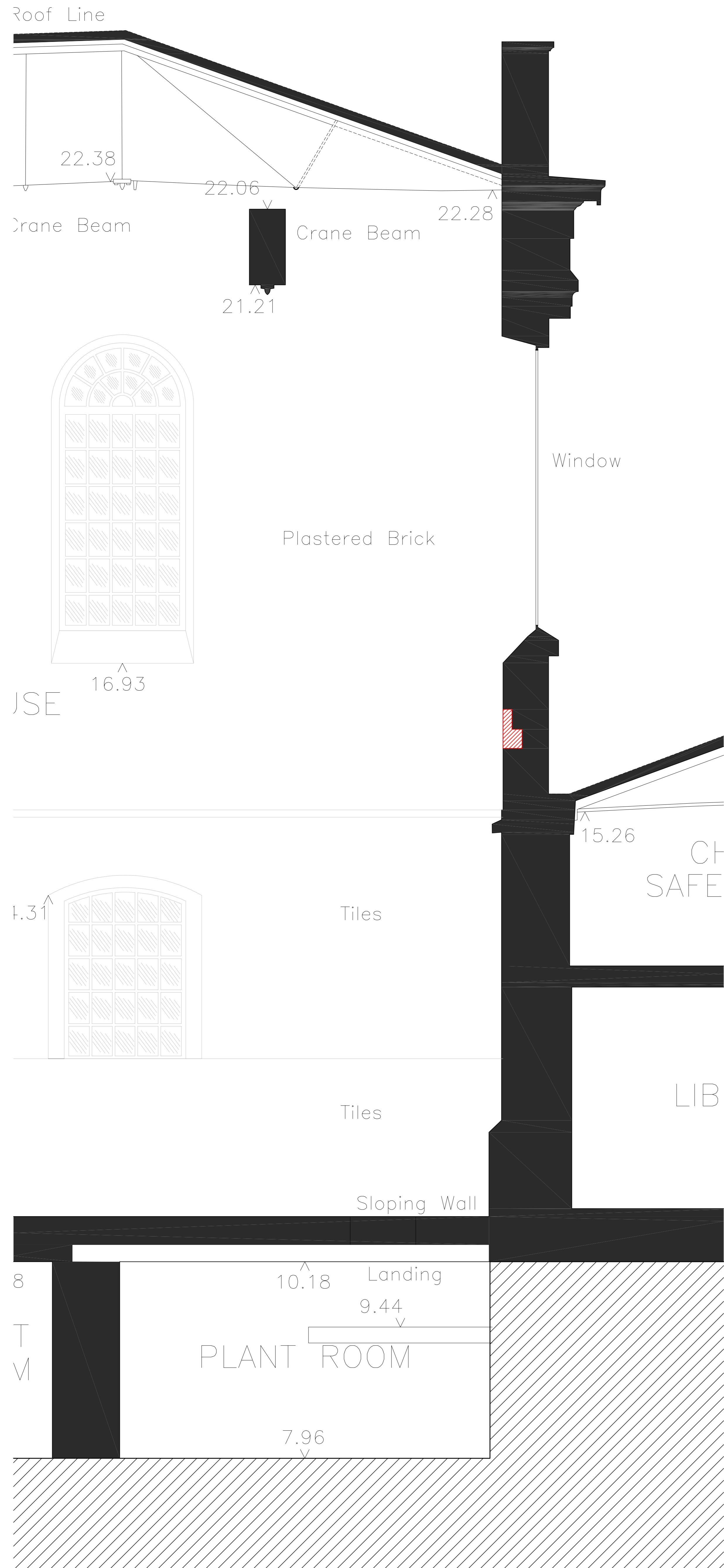
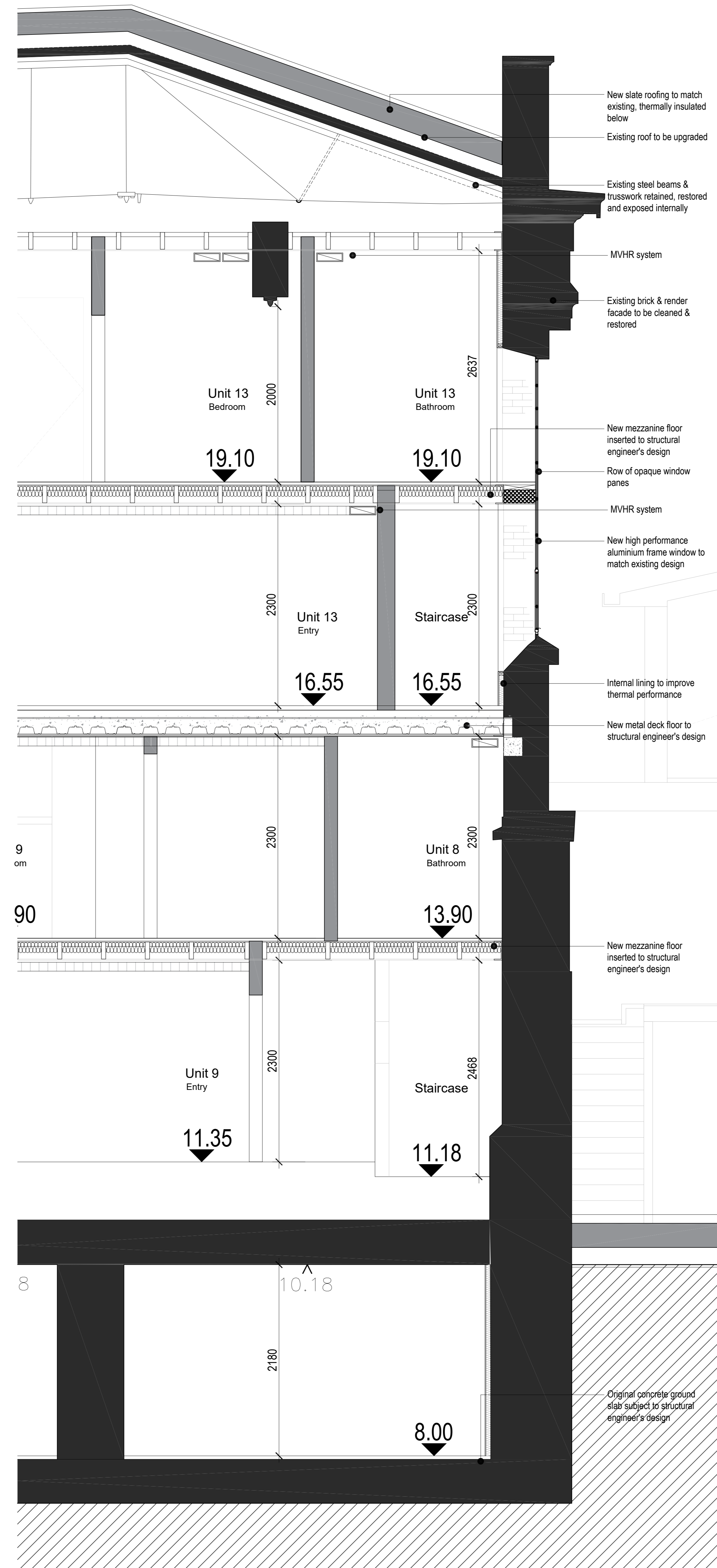


USE OF DRAWINGS
 DO NOT SCALE FROM THIS DRAWING. USE WRITTEN DIMENSIONS AND CHECK ON SITE. THIS DRAWING IS BASED ON SITE INFORMATION SUPPLIED BY THIRD PARTIES AND ACCURACY OF EXISTING FEATURES IS NOT GUARANTEED. ANY ERROR, OMISSION OR DISCREPANCY NOTED ON OR BETWEEN DRAWINGS AND OTHER DOCUMENTS MUST BE REPORTED IN WRITING IMMEDIATELY. ALL MECHANICAL, ELECTRICAL AND STRUCTURAL LAYOUTS / COMPONENTS ARE INDICATIVE AND MUST BE DESIGNED AND CHECKED BY SPECIALISTS. DO NOT START WORK ON SITE BEFORE CONFIRMING THAT ALL NECESSARY STATUTORY AND OTHER CONSENTS HAVE BEEN OBTAINED. THIS DRAWING IS COPYRIGHT AND MUST NOT BE DISTRIBUTED WITHOUT PERMISSION. ELECTRONIC CAD FILES MUST NOT BE ALTERED OR COPIED.

REV.	DATE	DESCRIPTION	DESIGNED BY	CHECKED BY
-	13.09.2022	INITIAL ISSUE	CA	JF
A	26.09.2023	HISTORIC ENGLAND FOR COMMENT	JF	JF



SCALE 1:25
EXISTING R&W PUMPHOUSE
 Enlarged Wall Section 13



SCALE 1:25
PROPOSED R&W PUMPHOUSE
 Enlarged Wall Section 13

LEVEL: +3
 EL. 19.10

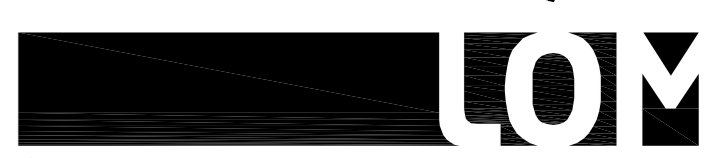
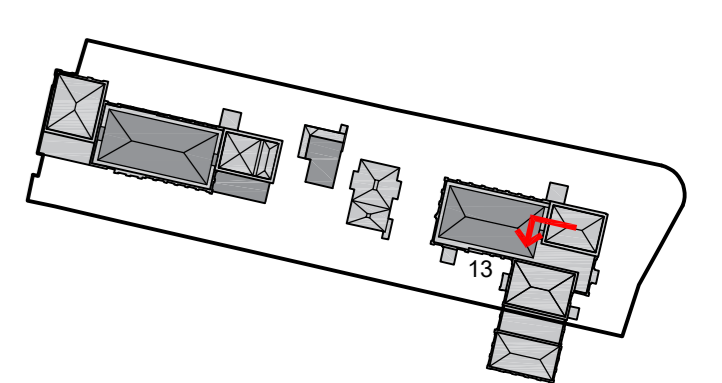
LEVEL: +2
 EL. 16.55

LEVEL: +1
 EL. 13.90

LEVEL: +0
 EL. 11.35

LEVEL: -1
 EL. 8.00

To be demolished
IN PROGRESS



client
WATERFALL PLANNING LTD

project
HAMPTON WATERWORKS

drawing title
EXISTING ENLARGED WALL SECTION 13 RUSTON & WARD PUMPHOUSE
 sheet size scale
A0 1:25 @ A0
 status
PRELIMINARY
 drawing no. revision
1685-A-P322 A

LOM architecture and design
 The Glass House, 5 Slater Street, London E1 6JY UK
 Phone +44(0)20 8444 2999 Email mail@lom-fdp.com
 Web www.lom-architecture.com