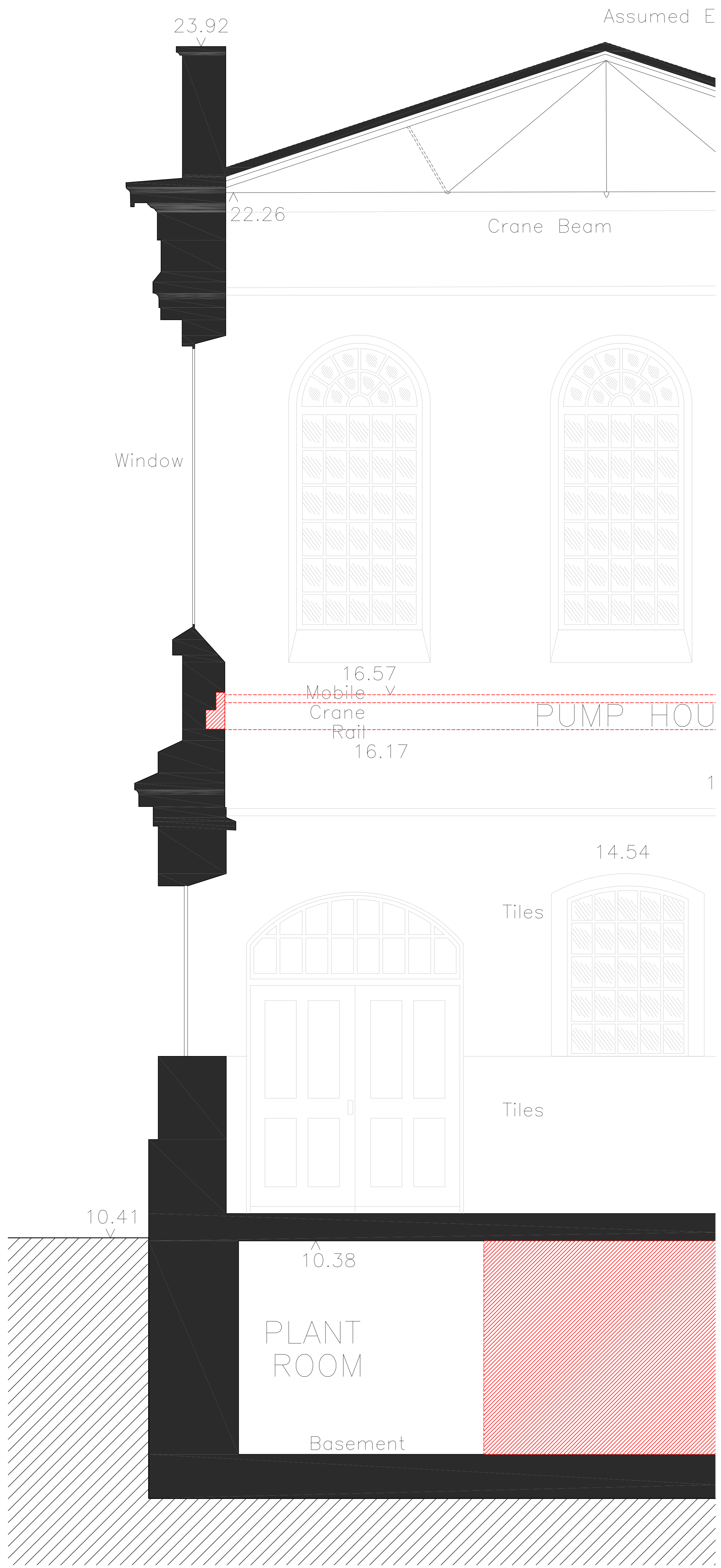
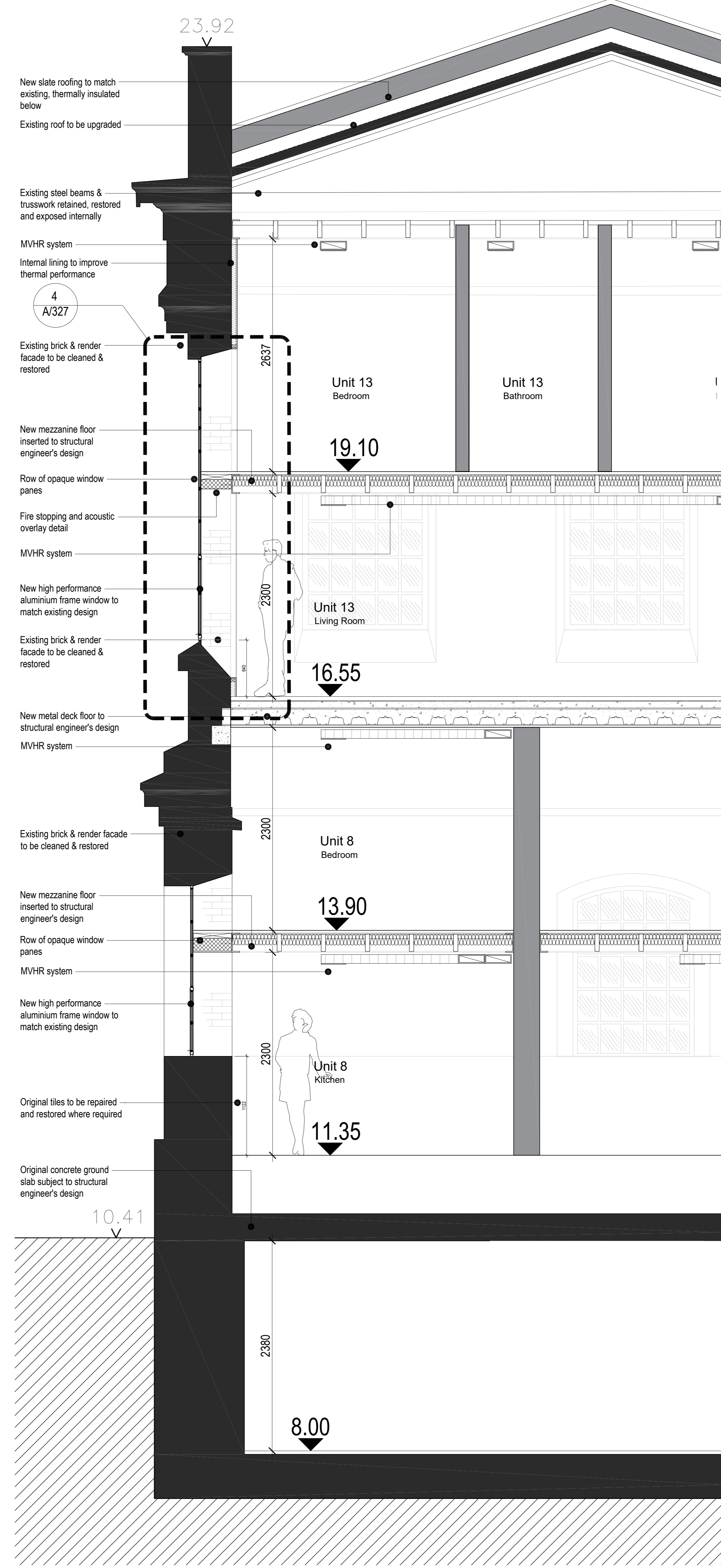


REV.	DATE	DESCRIPTION	DESIGNED BY	CHECKED BY
-	13.09.2023	INITIAL ISSUE	CA	JF
A	28.09.2023	HISTORIC ENGLAND FOR COMMENT	JF	JF



SCALE 1:25
EXISTING R&W PUMPHOUSE
 Enlarged Wall Section 14



SCALE 1:25
PROPOSED R&W PUMPHOUSE
 Enlarged Wall Section 14

LEVEL: +3
 EL. 19.10

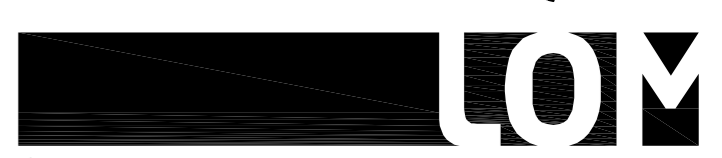
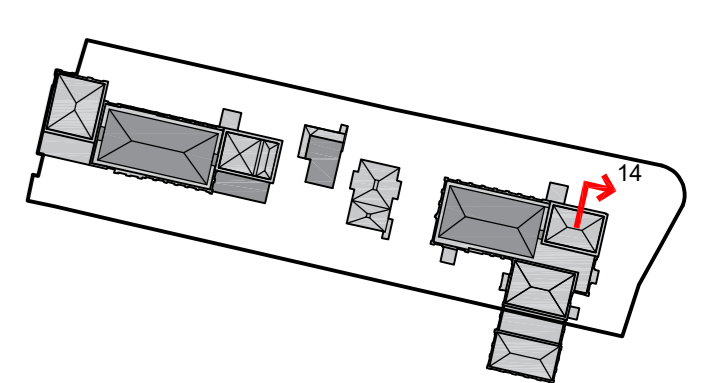
LEVEL: +2
 EL. 16.55

LEVEL: +1
 EL. 13.90

LEVEL: +0
 EL. 11.35

LEVEL: -1
 EL. 8.00

To be demolished
IN PROGRESS



client
WATERFALL PLANNING LTD

project
HAMPTON WATERWORKS

drawing title
EXISTING ENLARGED WALL SECTION 14 RUSTON & WARD PUMPHOUSE

sheet size scale
A0 1:25 @ A0

status
PRELIMINARY

drawing no. revision
1685-A-P323 A

LOM architecture and design
 The Glass House, 5 Sclater Street, London E1 6JY, UK
 Phone +44(0)20 8444 2999 Email mail@lom-ldp.com
 Web www.lom-architecture.com