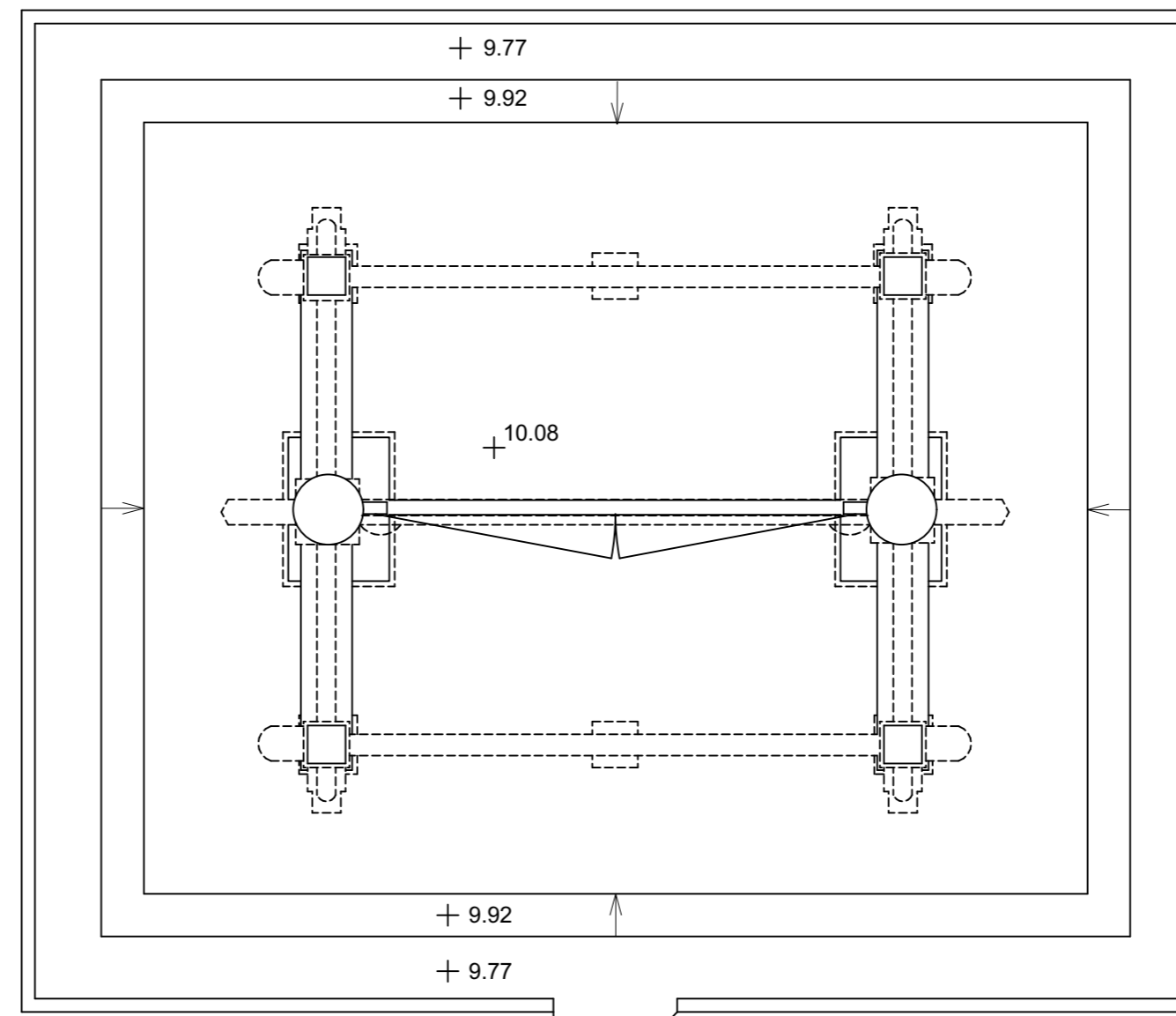
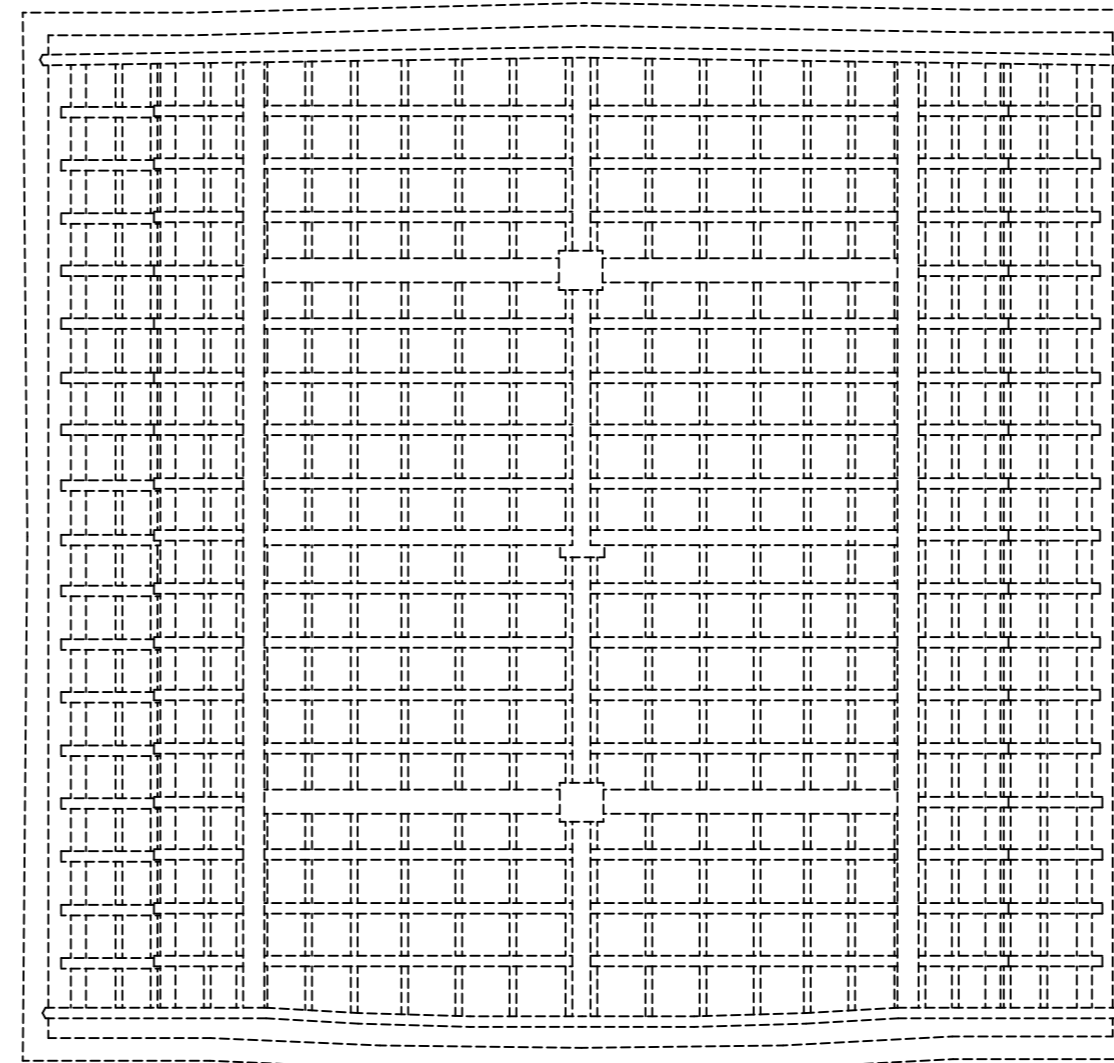


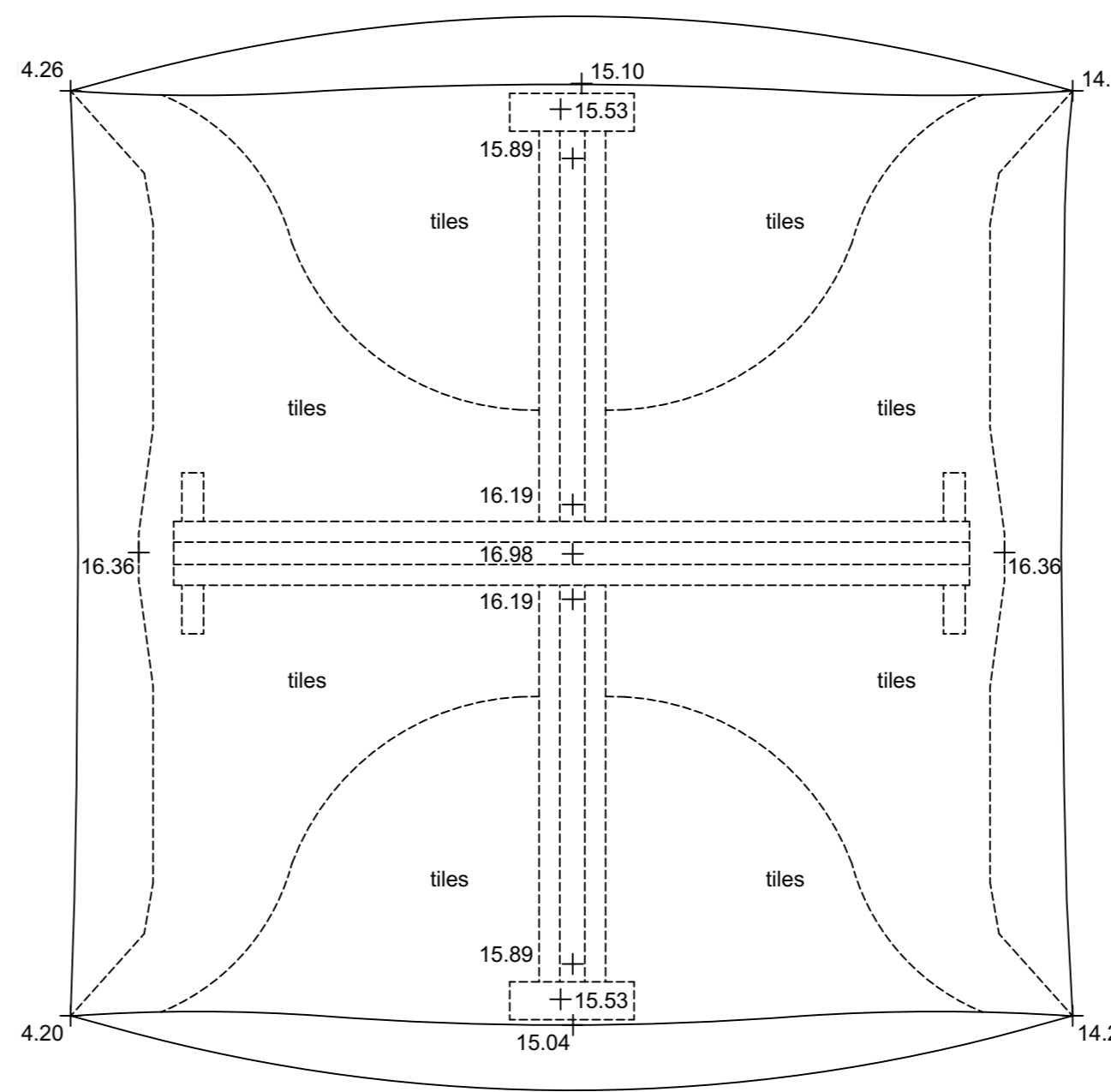
SITE PLAN  
SCALE - 1:100 @ A1 / 1:200 @ A3



GROUND FLOOR PLAN  
SCALE - 1:50 @ A1 / 1:100 @ A3



REFLECTED CEILING PLAN  
SCALE - 1:50 @ A1 / 1:100 @ A3



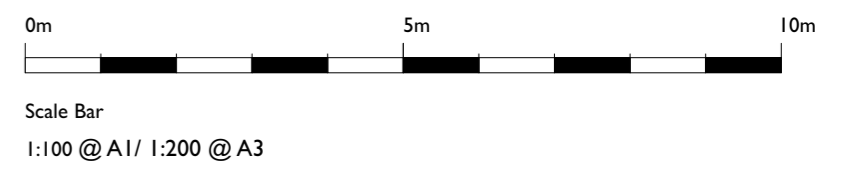
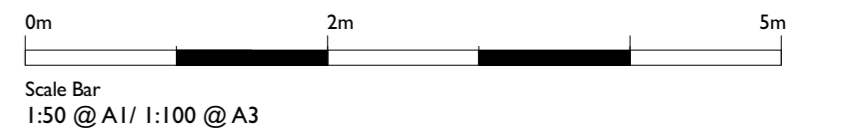
ROOF PLAN  
SCALE - 1:50 @ A1 / 1:100 @ A3

DO NOT SCALE THIS DRAWING USE DIMENSIONS ONLY  
VERIFY ALL DIMENSIONS ON SITE BEFORE COMMENCING ANY WORK OR SHOP DRAWINGS

INFORM THE ARCHITECT BEFORE ANY WORK STARTS IF THIS DRAWING EXCEEDS THE QUANTITIES IN ANY WAY

**ISSUE STATUS: For Planning**

Revision A Date 05/01/2024 Title block amended



CLIENT  
Royal Botanic Gardens Kew

PROJECT  
Japanese Gateway

TITLE  
As Existing  
Plans



Acanthus House  
57 Hightown Road, Banbury  
Oxfordshire, OX16 9BE  
01295 702600

SCALE AS NOTED DATE 18/08/2023 DRAWN JBY

JOB N° 23\_082 DRAWING N° 110A

www.clewsarchitects.co.uk architects@clewsarchitects.co.uk ©