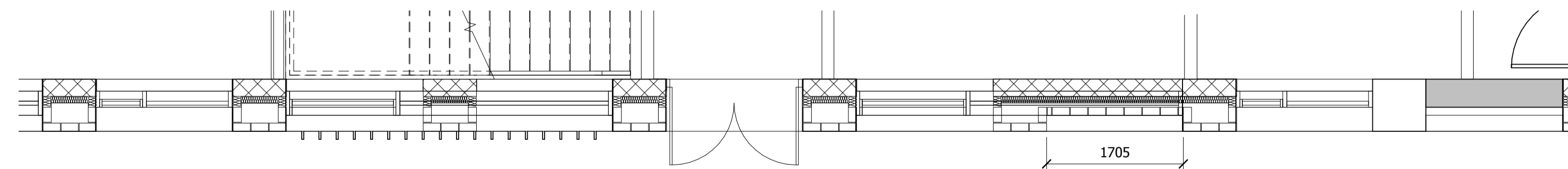
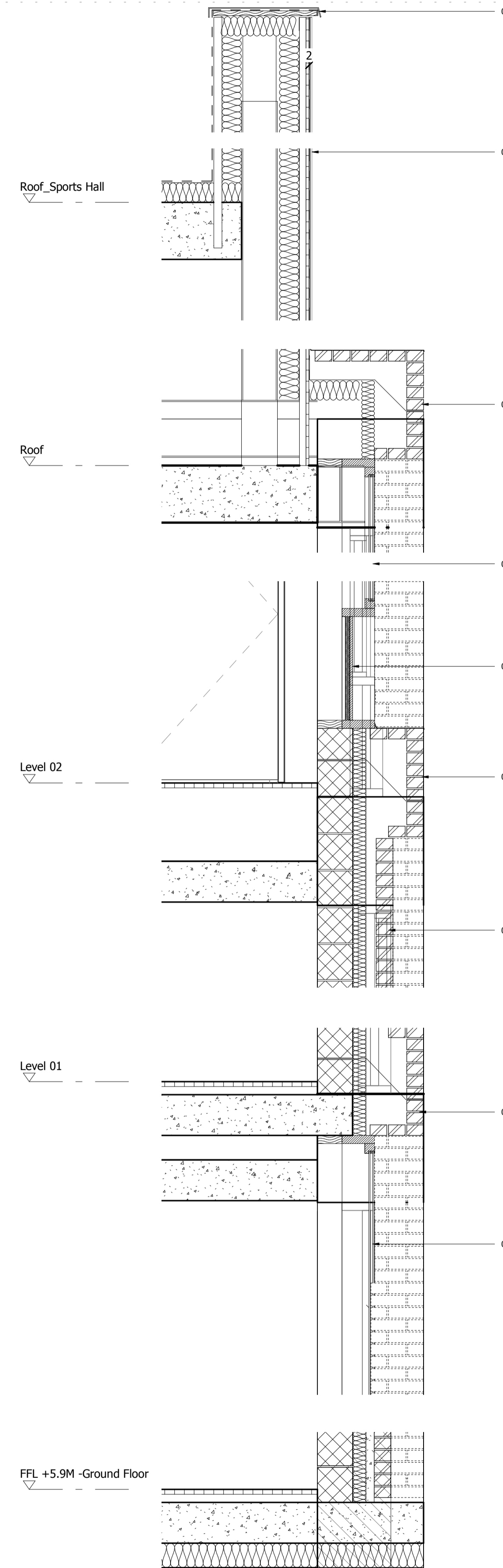


2 BAY STUDY - WEST ELEVATION
1 : 50

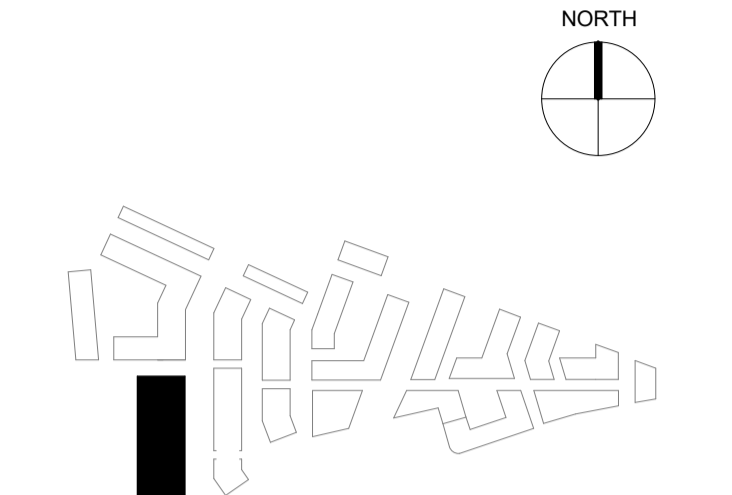


3 BAY STUDY - GROUND FLOOR PLAN
1 : 50



1 BAY STUDY - SECTION
1 : 20

NOTES:
DO NOT SCALE FROM THIS DRAWING. ALL DIMENSIONS TO BE CHECKED ON SITE. ALL OMISSIONS AND DISCREPANCIES TO BE REPORTED TO THE ARCHITECT IMMEDIATELY.
ALL RIGHTS RESERVED. THIS WORK IS COPYRIGHT AND CANNOT BE REPRODUCED OR COPIED OR MODIFIED IN ANY FORM OR BY ANY MEANS, GRAPHIC ELECTRONIC OR MECHANICAL, INCLUDING PHOTOCOPYING WITHOUT THE WRITTEN PERMISSION OF SQUIRE AND PARTNERS ARCHITECTS.



- MATERIALS KEY**
- 01. PPC METAL FLASHING
 - 02. PPC METAL CLADDING
 - 03. BRICK WALL/PIER
 - 04. CLEAR GLAZING WITH PPC ALUMINIUM FRAME
 - 05. PPC METAL SPANDREL PANEL

Revision description	Date	Check	Rev
LBRLUT 2 APPLICATION	04/02/22	BJ	A
PLANNING APPLICATION	12/02/18	BJ	-

SQUIRE & PARTNERS

The Department Store
248 Ferndale Road London SW9 8FR
T: 020 7278 5555 F: 020 7239 0495

info@squireandpartners.com
www.squireandpartners.com

Project
Stag Brewery
Richmond

Drawing
Z3 SCHOOL - PROPOSED BAY STUDY ELEVATION

Drawn	Date	Scale
NRH	01/25/18	As indicated @ A1 @ A3
Job Number	Drawing number	Revision
18125	C645_Z3_E_01_001	A