

NOTES:

© COPYRIGHT - DETAILED PLANNING LTD

All dimensions should be checked on site prior to works commencing. Variations in squariness, depth of plaster etc. must be checked for. Where new walls are shown as aligned with existing walls, physical removal of brickwork and / or plaster to establish the actual position of the wall being attached to must be checked.

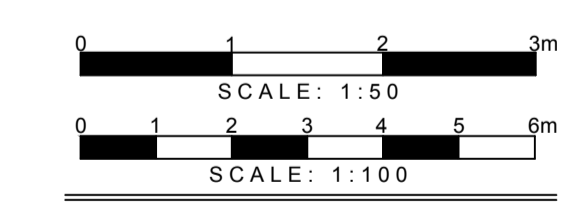
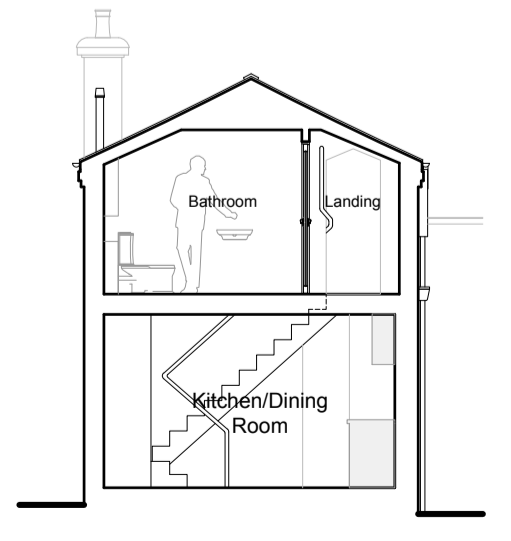
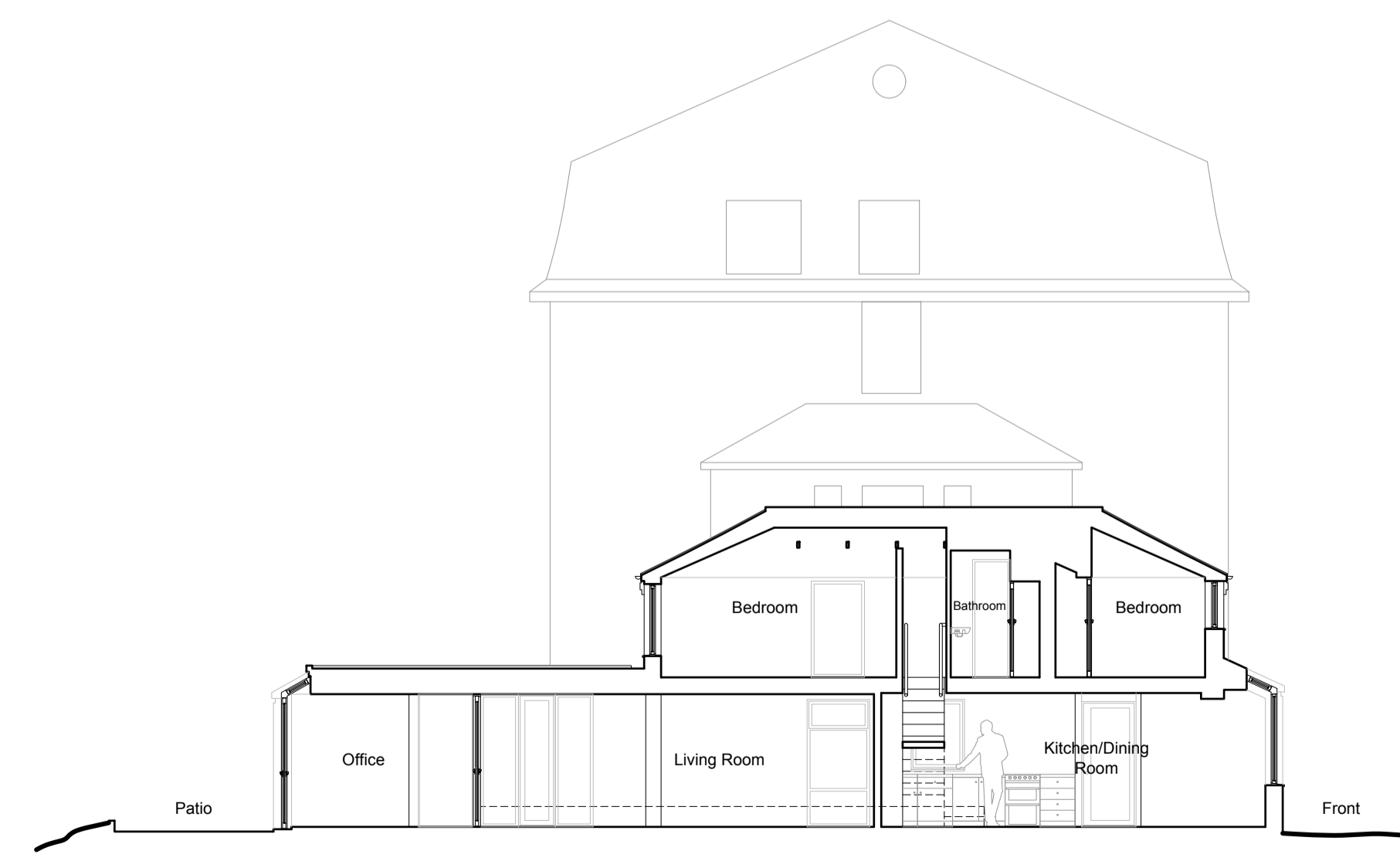
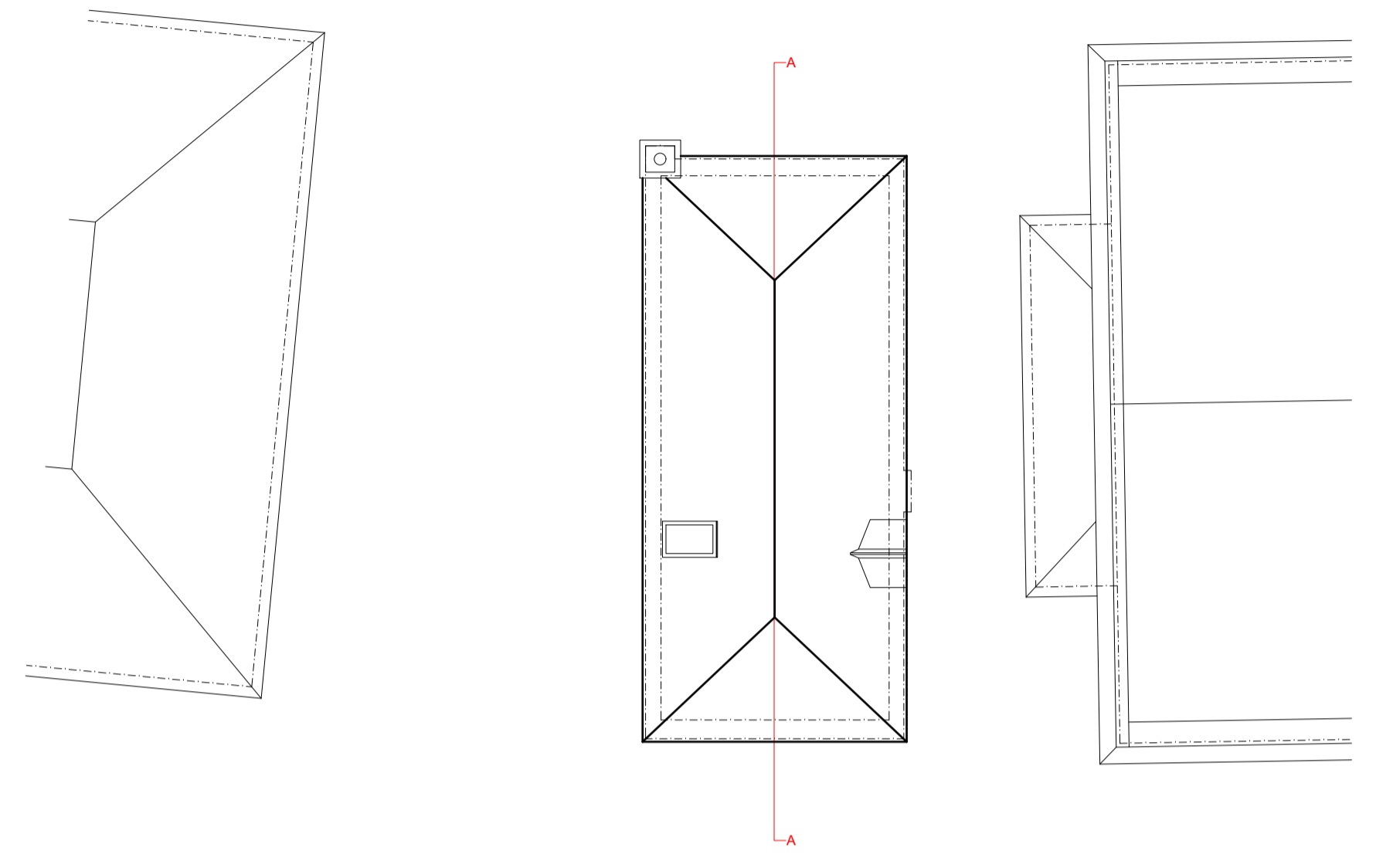
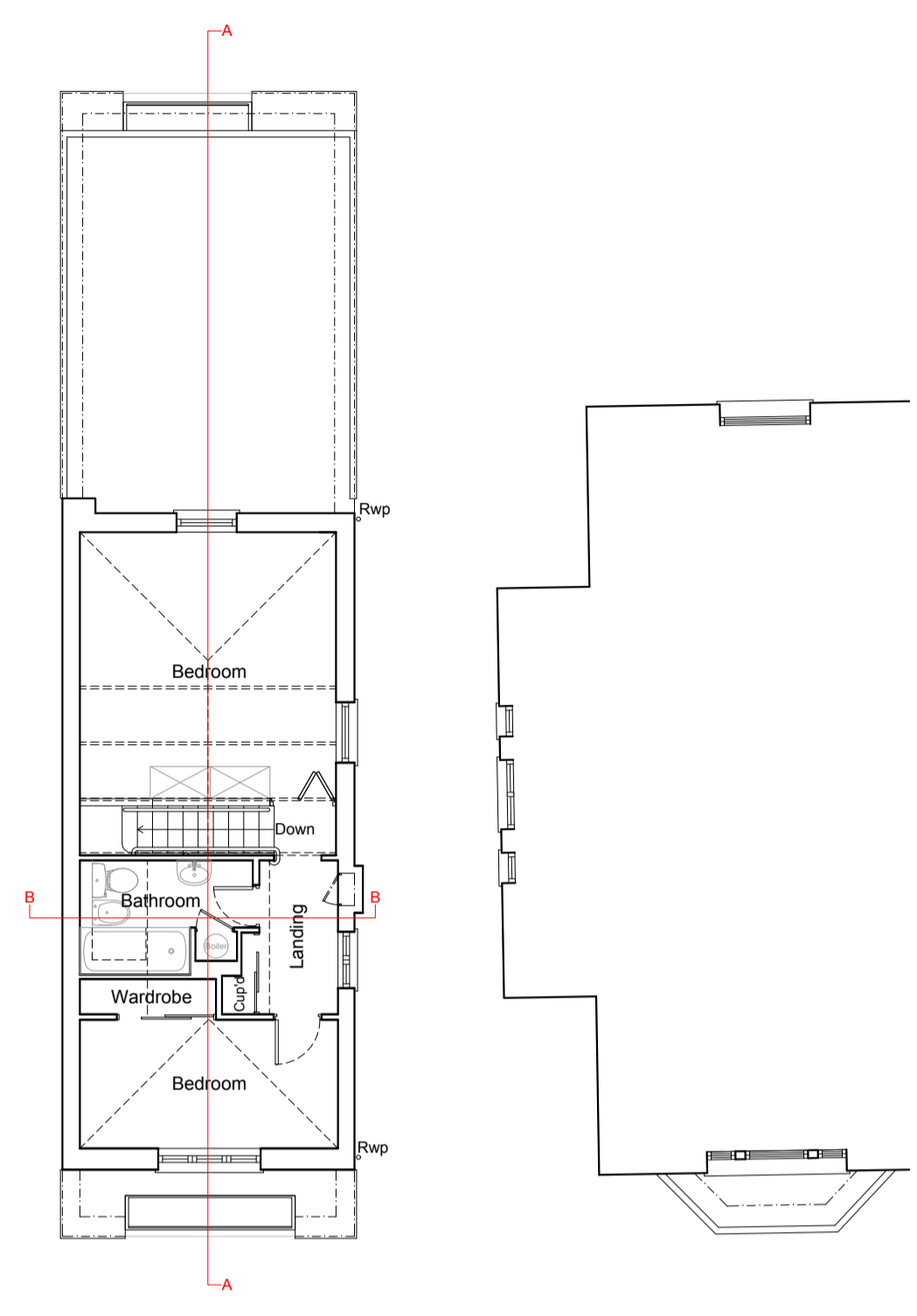
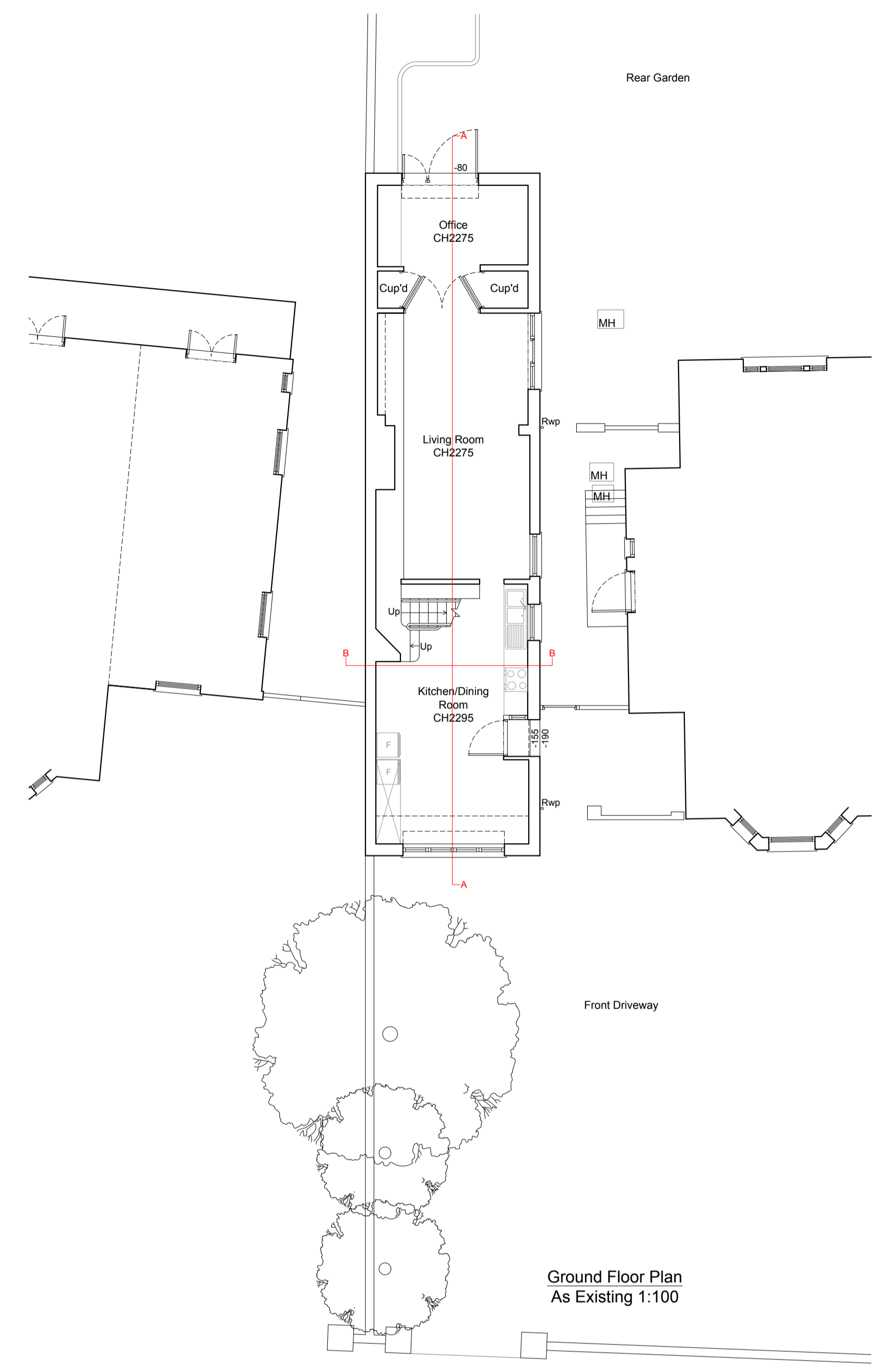
Any discrepancies should be reported in writing immediately.

When printing off PDF's, check that the drawings are printed to correct paper size and scale.

Documents should be used as to the drawing status described.

Property owner to ensure that all aspects of the "party wall etc. act 1996" are complied with prior to any works commencing on site.

Client to be aware of CDM duties and appoint as appropriate.



DETAILED PLANNING

GREENSIDE HOUSE
50 STATION ROAD
LONDON, N22 7DD

T 0208 1500 494
E INFO@DETAILED-PLANNING.CO.UK
WWW.DETAILED-PLANNING.CO.UK

SITE
490 Lonsdale Road, Barnes, London, SW13 9JR

DRAWING TITLE
Location Plan, Block Plan, and Existing Drawings

DRAWINGS STATUS
Planning

SCALE	DATE	DRAWN	CHECKED
As Noted @ A1	Mar 2024	L.M.E.B.	P.C.

DRAWING NO.: 234TRM_HH
REVISION: SH1