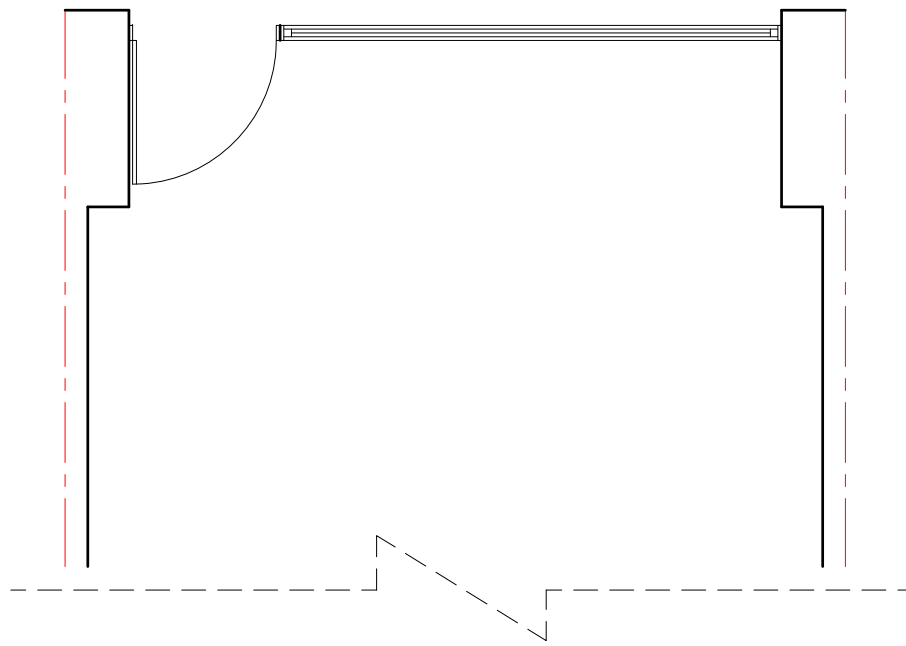


All work to comply with current building regulations and codes of practice  
 Do not scale from drawings all dimensions to be checked on site before the start of any work  
 All Proposed External Materials to Match Existing External Materials

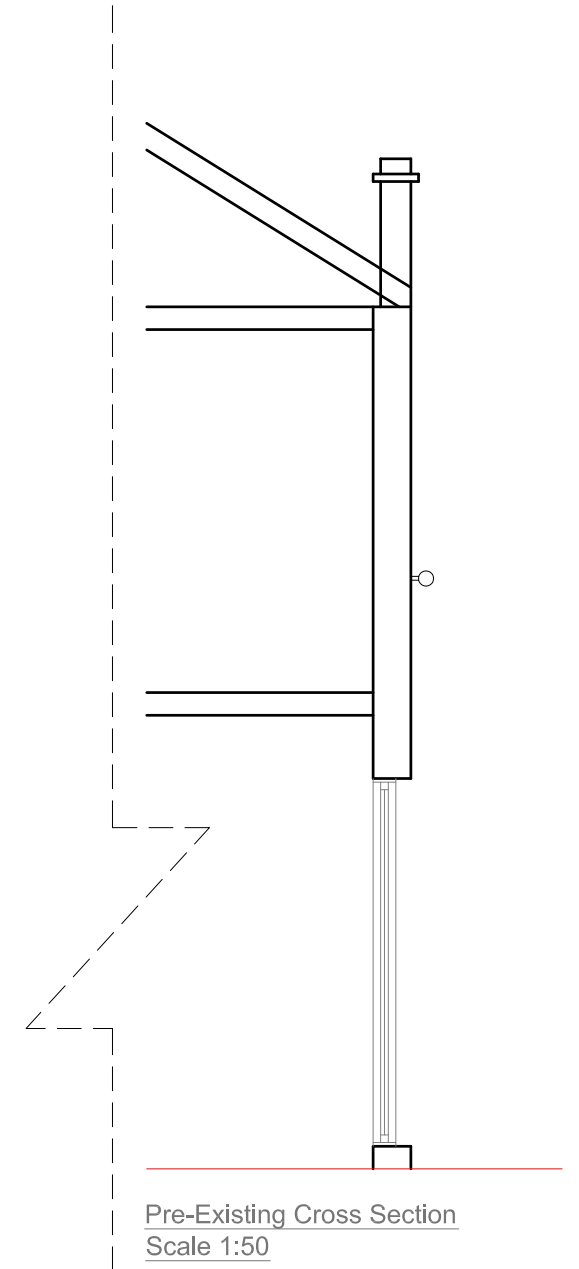
Any Proposed Windows to Flank wall to be Obscure Glazed and Non-Opening below 1.7m from FFL



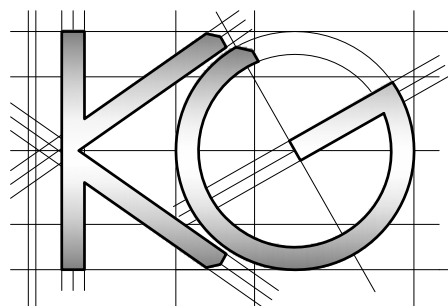
Pre-Existing Floor Plan  
 Scale 1:50



Pre-Existing Front Elevation  
 Scale 1:50



Pre-Existing Cross Section  
 Scale 1:50



<u>Site Address:</u> 31 High Street Whitton TW2 7LB	<u>Drawing Content:</u> Pre-Existing Ground Floor Plan	<u>Drawings No:</u> 31highstreet/2024/01	<u>Date Drawn:</u> 28th March 2024	Planning Issue		
		<u>Drawings Scale:</u> 1:50	<u>Drawn By:</u> KG	Revision:	7	8