

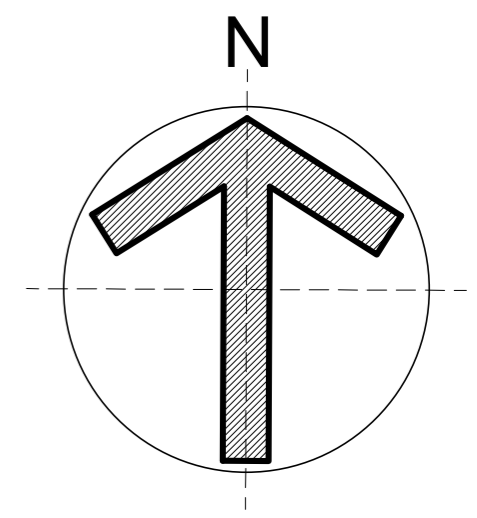


BLOCK PLAN
Scale 1:500

0 10 20 30 40 80m



SCALE 1:500
WHEN PRINTED ON A3 SIZE PAPER



HOME AND OFFICE

CHARTERED ARCHITECTS - PLANNERS

STUDIO: 39 FORESTDALE, SOUTHGATE, LONDON N14 7DY
T:07561 100080 F:020 8351 0026 Em: homearchitect@btinternet.com

ARCHITECT:

MICHAEL HAPESHIS
BA(Hon's), DipArch(Hon's), RIBA, ARB, ETEK

STRUCTURAL ENGINEER

BUILDING SERVICES ENGINEER:

QUANTITY SURVEYOR:

DRAWING TITLE **BLOCK PLAN / SITE PLAN**
1:1250

PROJECT TITLE / CLIENT
GARAGE CONVERSION AND INTERIOR ALTERATIONS AT 18 EGERTON ROAD, TWICKENHAM, TW2 7SP

CLIENTS:
Mr + Mrs VALENTINOS ELEFThERIADES

Job No:	DRAWING NO
C1/SfB	BLOCK PLAN
10=1	REVISION SUFFIX
Scale	A
DATE	DRAWN
1:500	26.10.2023
MPH	CHECKED
	M.HAPESHIS